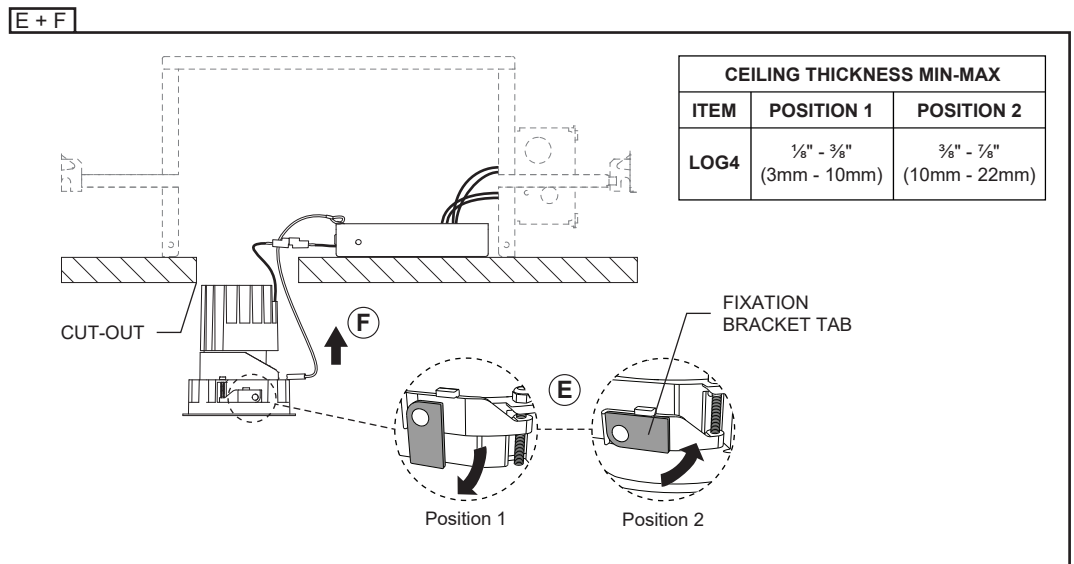
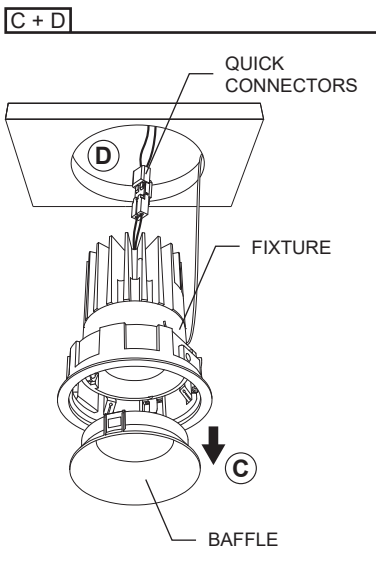
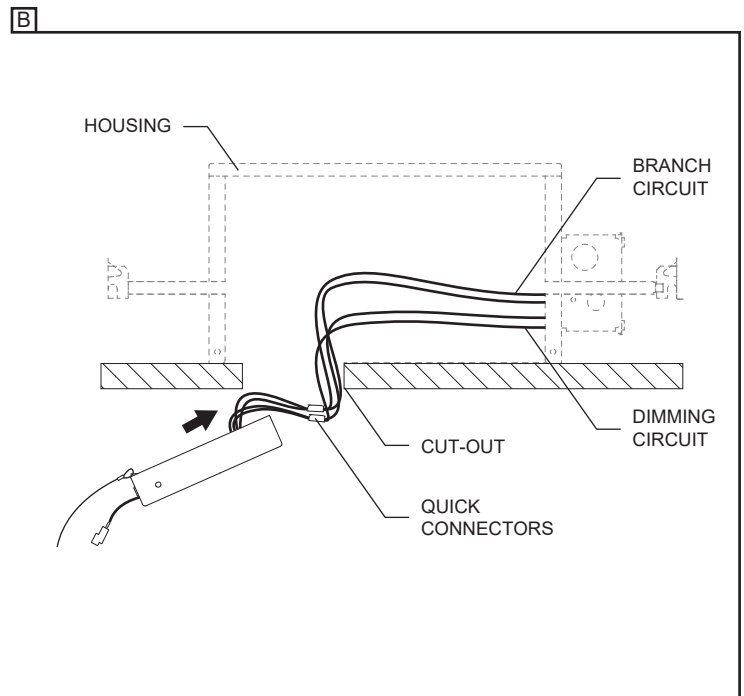
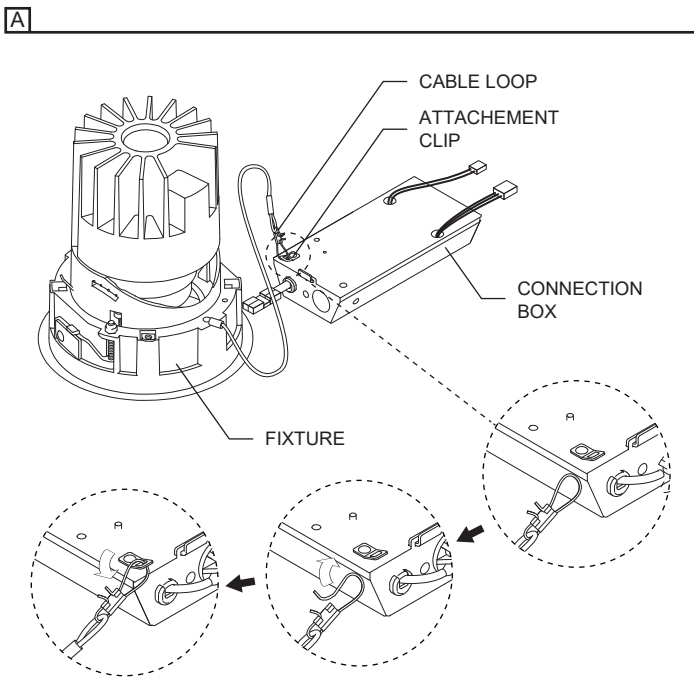


**IMPORTANT** - READ CAREFULLY BEFORE INSTALLING FIXTURE. RETAIN THESE INSTRUCTIONS FOR FUTURE REFERENCE. THIS PRODUCT MUST BE INSTALLED IN ACCORDANCE WITH THE NATIONAL ELECTRICAL CODE AND ALL APPLICABLE LOCAL CODES, BY A PERSON FAMILIAR WITH THE CONSTRUCTION AND OPERATION OF THE PRODUCT, AND THE HAZARDS INVOLVED. PROPER GROUNDING IS REQUIRED FOR SAFETY.

**⚠ DISCONNECT THE MAIN LINE BEFORE WIRING SECONDARY CONNECTORS.**

### NEW CONSTRUCTION HOUSING INSTALLATION (IC / CP / AT) INTEGRAL DRIVER (120V / 120-277V) DIMMING TRIAC/ELV OR 0-10V (15%)

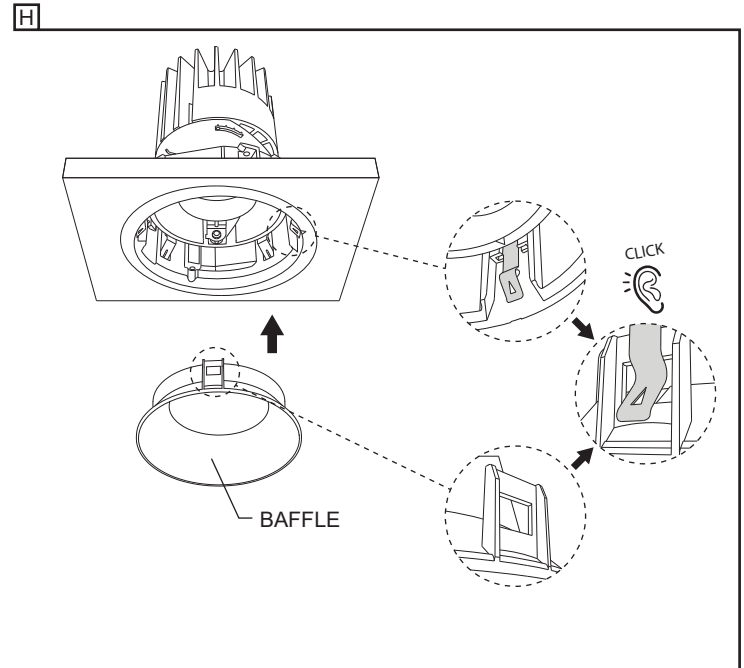
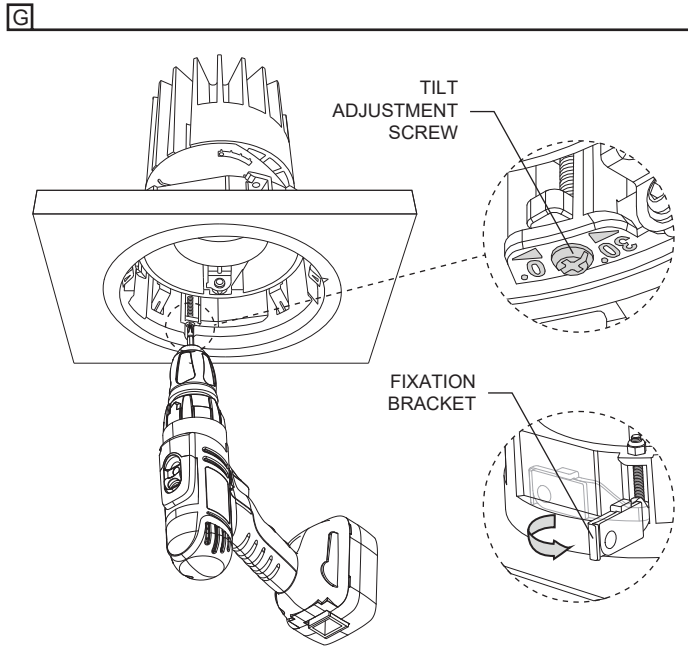
- A- PASS THE CABLE LOOP THROUGH THE CONNECTION BOX ATTACHEMENT CLIP.
- B- MAKE ALL CONNECTIONS NECESSARY WIRE CONNECTIONS USING THE QUICK CONNECTORS AND INSERT THE CONNECTION BOX THROUGH THE CUT-OUT. THE CONNECTION BOX MUST SETTLE ON THE HOUSING ONCE INSTALLED.
- C- REMOVE THE BAFFLE FROM THE FIXTURE.
- D- CONNECT THE FIXTURE.
- E- PLACE THE FIXATION BRACKET TABS TO THE DESIRED POSITION DEPENDING ON CEILING THICKNESS.
- F- INSERT FIXTURE THROUGH THE CUT-OUT.



G- TIGHTEN THE FIXTURE IN THE CUT-OUT. MAKE SURE THE FIXATION BRACKETS ARE OPEN FOR PROPER INSTALLATION.

**FOR ADJUSTABLE MODELS ONLY:** TO ADJUST THE TILT ANGLE, USE THE TILT ADJUSTMENT SCREW IN THE FIXTURE.

H- PUSH THE BAFFLE BACK INTO THE FIXTURE UNTIL IT CLICKS IN PLACE.



**RECOMMENDED LINE DIMMERS LIST**

DIMMERS LIST RECOMMANDATION	
Manufacturer	Model
LUTRON DIVA	DVSTV-WH
LUTRON POWERPAK	RMJ-ECO32-DV-B