

Collection of specification grade downlights for architectural applications. Excellent build quality with features for the most demanding professional applications. Available in five sizes 2", 3", 4", 5", 6" aperture with generous light outputs and excellent chromatic performance. Professional optics available with directional distribution.



OPTIC	BEAM ANGLE	SYSTEM POWER** (W)	OUTPUT (Nominal Luminous Flux)	LUMENS* (lm)	EFFICACY** (lm / W)	MAX CANDELA* (cd)
Narrow Spot	10°	9	06 (650 lm)	650	72	11 123
Spot	20°	20	21 (2100 lm)	1 917	72	11 336
Narrow Flood	30°			2 142	107	7 406
Flood	40°			2 106	105	4 434
Wide Flood	50°			2 067	103	3 020
Spot	20°	27	23 (2300 lm)	2 179	80	14 784
Narrow Flood	30°			2 378	88	8 993
Flood	40°			2 329	86	5 068
Wide Flood	50°			2 299	85	3 344

* Based on round (R) shape, trim (T) mounting and adjustable (A) optic at 3000K, 90CRI
 ** For products that uses a remote LED driver, the total system power (W) and efficacy (lm/W) vary according to the efficiency of the remote LED driver selected.

Source: COB LED module
 2700K : 90CRI,
 3000K : 90CRI,
 3500K : 90CRI,
 4000K : 90CRI,

Lumen maintenance: 90% of initial lumens at 50 000 hours (L90, LM-80).

Optics: *Adjustable:* Deep recessed lens available with different optics. Optical assembly hot-aiming adjustment - 30° tilt and 355° pan.
Fixed: Deep recessed lens available with different optics.

Material: *Body:* Die-cast aluminum optical assembly
Lens: Optical-Grade PMMA
Baffle: Painted polycarbonate

Mounting: *Cut-out:*
 • Round - \bigcirc Ø4" - Ø4 1/8" (Ø100mm - Ø105mm)
 • Square - \square 3 13/16" - \square 3 7/8" (□97mm - □99mm)
 Remodel
 New construction with plaster frame
 New construction with housing for insulated ceiling or Chicago Plenum
 (See pages 5-6 for details)

Electrical: High efficiency dimmable LED driver, rated at 50 000 hours. See remote LED driver options.

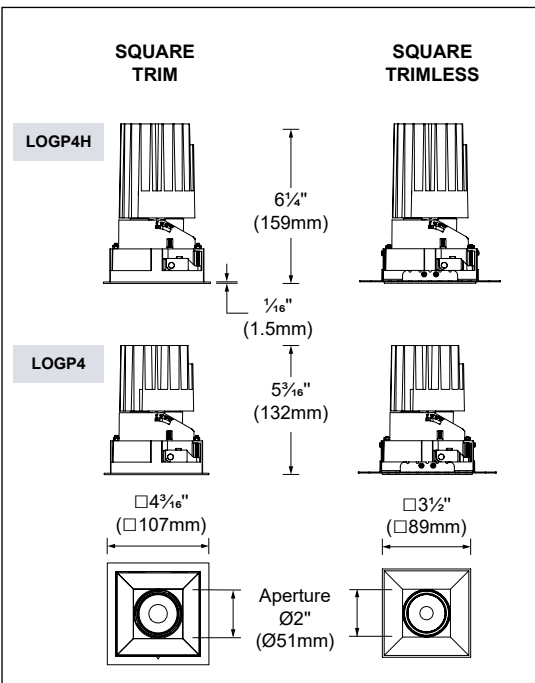
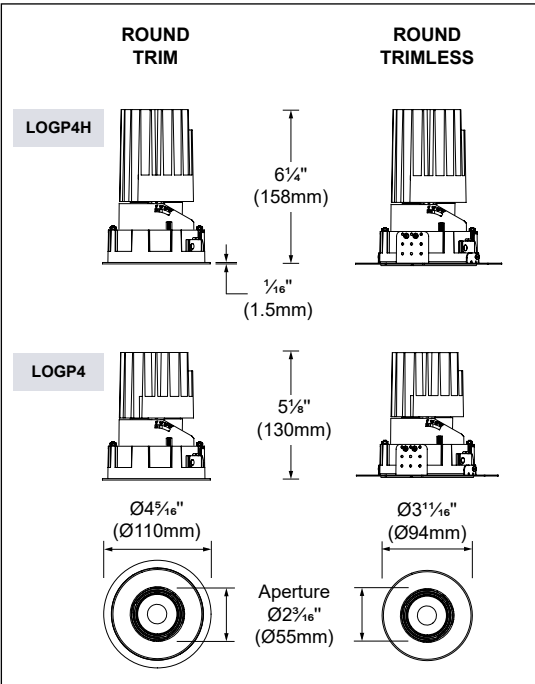
Finish: Powder coated body and baffle (See page 2 for details).

Weight: 2.55lbs (1.16kg)

Warranty: 5 year limited warranty.

Ratings: IP20

Certification: cULus listed for damp location. Interior use only.



ORDERING INFO

CLICK HERE



PRODUCT CODE

INSTALLATION CODE (SEE PAGE 5-6)

MODEL	SHAPE	MOUNTING	INSTALLATION	OUTPUT*	LED	OPTIC	VOLTAGE	FINISH (trim finish / baffle finish)
LOGP4 LOGO PRO 4	R Round	T Trim	RF Remodel	06^{1 2} 650 lm (7W)	927 2700K, 90CRI	ANS⁴ Adjustable, Narrow spot (10°)	REM Remote	White trim 01 White / white 21 White / black 13 White/matte anodized 41⁵ White / gold E4⁵ White / chrome E7⁵ White / black chrome E9⁵ White / gold matte Black trim 23 Black / white 02 Black / black 33 Black / matte anodized 42⁵ Black / gold F3⁵ Black / chrome F1⁵ Black / black chrome F4⁵ Black / gold matte Trimless 01 White 02 Black 51 Matte anodized 43⁵ Gold 04⁵ Chrome E6⁵ Black chrome E8⁵ Gold matte
	S Square	L Trimless Mud	NC New Construction	15¹ 1500 lm (12W)	930 3000K, 90CRI	ASP Adjustable, Spot (20°)		
LOGP4H LOGO PRO 4H		M Trimless Millwork	IC¹ Insulated Ceiling Housing	17¹ 1700 lm (14W)	935 3500K, 90CRI	ANF Adjustable, Narrow Flood (30°)		
			CP¹ Chicago Plenum Housing	19¹ 1900 lm (16W)	940 4000K, 90CRI	AFL Adjustable, Flood (40°)		
				21¹ 2100 lm (17W)		AWF Adjustable, Wide Flood (50°)		
				23³ 2300 lm (24W)		FSP Fixed, Spot (25°)		
						FNF Fixed, Narrow Flood (30°)		
						FFL Fixed, Flood (40°)		
						FWF Fixed, Wide Flood (50°)		

ACCESSORIES (TO BE ORDERED SEPARATELY)

9001-02 - Honeycomb louver
- Available for adjustable (**ASP, ANF, AFL, AWF**) optics



Comes with **9004-02** - Anti-Glare ring for Black hex cell louver



(1) Available only for LOGO PRO 4 (**LOGP4**) model.

(2) Available only for adjustable narrow spot (**ANS**) optic.

(3) Available only for LOGO PRO 4H (**LOGP4H**) model.

(4) Available only for 650 lm (**06**) output.

(5) May require a longer lead time than standard. Please contact customer service for details.

* Nominal Luminous Flux value at 3000K, 90CRI. Actual performance may vary depending on the installation conditions. Source Power (W).

** Dimming levels will vary depending on the dimmer used and the number of luminaires on the line.

REMOTE LED DRIVER OPTIONS

(TO BE ORDERED SEPARATELY)

Indoor rated drivers¹

PRODUCT CODE

DRIVER BOX MODEL

RESET DRIVER BOX

Indoor rated drivers

Dimming	Driver box model	Min-Max Units					
		LOGP4					LOGP4H
		7W* Output 650 lm (only 10°)	12W* Output 1500 lm	14W* Output 1700 lm	16W* Output 1900 lm	17W* Output 2100 lm	24W* Output 2300 lm
LTE	4444-0200-008-120-LTE	1					
	4444-0350-022-120-LTE		1				
	4444-0400-016-120-LTE			1			
	4450-0450-018-120-LTE				1		
	4450-0500-021-120-LTE					1	
	4444-0700-032-120-LTE						1

D10	4444-0200-008-UNV-D10	1					
	4450-0350-019-UNV-D10		1				
	4450-0400-022-UNV-D10			1			
	4450-0450-024-UNV-D10				1		
	4450-0500-027-UNV-D10					1	
	4450-0700-038-UNV-D10						1

ED10	4444-0200-008-UNV-ED10	1					
	4450-0350-019-UNV-ED10		1				
	4450-0400-020-UNV-ED10			1			
	4450-0450-024-UNV-ED10				1		
	4450-0500-030-UNV-ED10					1	
	4448-0700-077-UNV-ED10						1-2 (2 outputs)

SD10 (4 outputs)	4448-0200-045-UNV-SD10	1-4					
	4448-0350-079-UNV-SD10		1-4				
	4448-0400-091-UNV-SD10			1-4			
	4448-0450-100-UNV-SD10				1-4		
	4448-0500-100-UNV-SD10					1-4	
	4448-0700-100-UNV-SD10						1-4

EDA	4444-0200-008-UNV-EDA	1					
	4450-0350-019-UNV-EDA		1				
	4450-0400-022-UNV-EDA			1			
	4444-0450-018-UNV-EDA				1		
	4450-0500-027-UNV-EDA					1	
	4450-0700-030-UNV-EDA						1

SDA (4 outputs)	4444-0200-008-UNV-SDA	1 (1 output)					
	4448-0350-079-UNV-SDA		1-4				
	4448-0400-091-UNV-SDA			1-4			
	4448-0450-100-UNV-SDA				1-4		
	4448-0500-100-UNV-SDA					1-4	
	4448-0700-100-UNV-SDA						1-4

* Wattage requirement for one (1) fixture (remote fixture only).

Indoor rated drivers¹

PRODUCT CODE

DRIVER BOX MODEL

RESET DRIVER BOX

Indoor rated drivers

Dimming	Driver box model	Min-Max Units					
		LOGP4					LOGP4H
		7W* Output 650 lm (only 10°)	12W* Output 1500 lm	14W* Output 1700 lm	16W* Output 1900 lm	17W* Output 2100 lm	24W* Output 2300 lm
CAS**	4444-0200-008-UNV-CAS	1					
	4450-0350-019-UNV-CAS		1				
	4450-0400-020-UNV-CAS			1			
	4450-0450-024-UNV-CAS				1		
	4450-0500-028-UNV-CAS					1	
	4448-0700-077-UNV-CAS						1-2 (2 outputs)

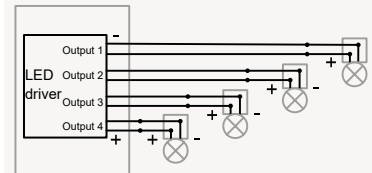
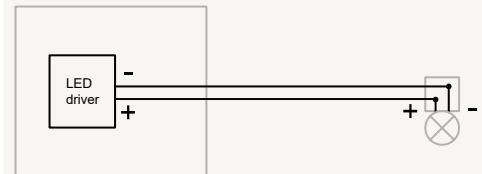
AWN**	4450-0200-011-UNV-AWN	1					
	4450-0350-019-UNV-AWN		1				
	4450-0400-022-UNV-AWN			1			
	4450-0450-024-UNV-AWN				1		
	4450-0500-027-UNV-AWN					1	
	4450-0700-030-UNV-AWN						1

* Wattage requirement for one (1) fixture (remote fixture only).

** Will be available soon. May require a longer lead time. Please contact customer service for details.

DIMENSION	CONSTANT CURRENT	WATTAGE	VOLTAGE	DIMMING PROTOCOL ²
4444 6" x 4" x 3" (152 x 102 x 76mm)	0200 ⁷ 200mA	008 to 100 8W to 100W	UNV 120-277V	LTE Leading edge and trailing edge (ELV and TRIAC) Max distance: 48m (160ft) ³ (down to 10%)
4448 10" x 8" x 4" (254x 203 x 102mm)	0350 350mA			D10 0-10V Max distance: 48m (160ft) ³ (down to 1%)
4450 8" x 8" x 4" (203 x 203 x 102mm)	0400 400mA			ED10 ⁵ 0-10V eldoLED ECOdrive Max distance: 48m (160ft) ³ (down to 1%)
	0450 450mA			SD10 ⁵ 0-10V eldovLED SOLOdrive Max distance: 48m (160ft) ³ (down to 0.1%)
	0500 500mA			EDA ⁵ DALI eldoLED ECOdrive Max distance: 48m (160ft) ³ (down to 1%)
	0700 ⁸ 700mA			SDA ⁵ DALI eldoLED SOLOdrive Max distance: 48m (160ft) ³ (down to 0.1%)
				CAS ⁶ Casambi connectivity Max distance: 30m (65ft) ⁴ (down to 1%)
				AWN ⁶ Athena wireless node connectivity Max distance: 9m (30ft) ⁴ (down to 1%)

WIRING DIAGRAM EXAMPLES



- (1) Luminaires must be connected on separate outputs (1-4). Do not exceed the wattage and voltage range on each output.
- (2) Dimming levels will vary depending on the dimmer used and the number of luminaires on the line.
- (3) Max distance cable calculated for 16AWG cable based on a single lighting fixture. With 18AWG cable, it may have shorter distance (30m / 100ft). Contact customer service for more lighting fixtures or longer remote distance.
- (4) Max distance may be reduced depending on the obstacles such as walls or metal structures.
- (5) May require a longer lead time. Please contact customer service for details.
- (6) Will be available soon. May require a longer lead time. Please contact customer service.
- (7) Only for LOGO PRO 4 (LOGP4) model with 650 lm (06) output and adjustable narrow spot (ANS) optic.
- (8) Available only for LOGO PRO 4H (LOGP4H) model with 2300 lm (23) output

INSTALLATION

(TO BE ORDERED SEPARATELY)

Remodel (RF)

Versatile fixture for new or existing ceiling structure. Suitable for non-insulated ceiling like sheetrock or paneling. Fixture is ready for remodeling installation. Trimless frame kit can be shipped separately.

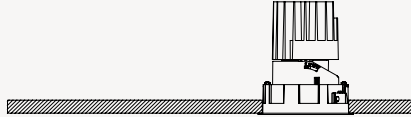
Ceiling thickness:

Trim (Round/Square): 1/4" - 1" (1-25mm)
 Trimless Mud (Round/Square): 1/4" - 1" (1-25mm)
 Trimless Millwork (Round/Square): 1/2" - 1" (12.5-25mm)

Total weight: 2.4lbs (1.1kg)

Model	Shape	Mounting	Trimless frame	Cut-out dimensions	Clearance (H)	
					LOGP4	LOGP4H
LOGP4 LOGP4H	Round	Trim		Ø4" (Ø100mm)	7 1/8" (180mm)	8 1/8" (207mm)
		Trimless Mud	TK-LOGP4RL-RF*	Ø4 1/8" (Ø105mm)		
		Trimless Millwork	TK-LOGP4RM-RF*			
	Square	Trim		□3 1/8" (□97mm)		
		Trimless Mud	TK-LOGP4SL-RF*	□3 3/8" (□99mm)		
		Trimless Millwork	TK-LOGP4SM-RF*	□3 1/8" (□97mm)		

*Can be installed from below the ceiling.



New construction with plaster frame (NC)

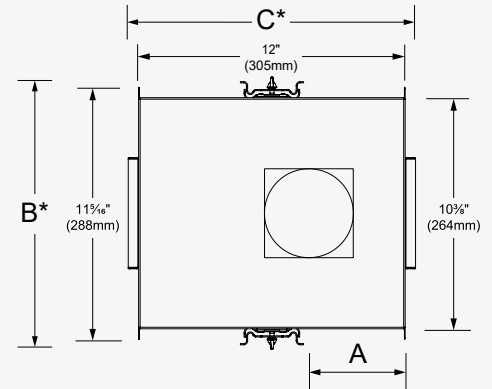
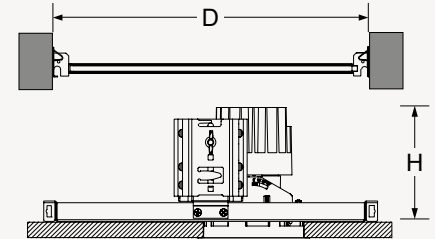
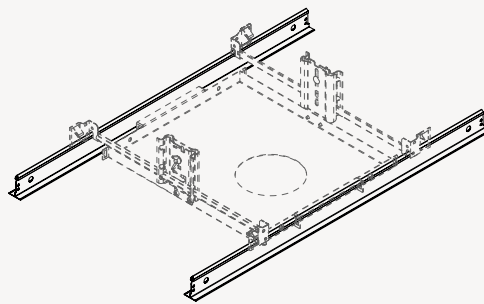
Plaster frame with hanger bars system to be installed during rough-in phase. Suitable for non-insulated new construction ceiling assemblies, like sheetrock, or paneling. Plaster frame and trim can be shipped separately.

Ceiling thickness:

Trim (Round/Square): 1/4" - 1 5/8" (1-24mm)
 Trimless Mud (Round/Square): 1/4" - 1 5/8" (1-24mm)
 Trimless Millwork (Round/Square): 1/2" - w" (12.5-24mm)

Total weight: 4.2lbs (1.9kg)

Hanger bars suitable for Grid ceiling



Model	Shape	Mounting	Plaster frame	Cut-out dimensions	Cut-out position (A)	Max overall dimensions (B*xC*)	Hanger bars (D)	Clearance (H)	
								LOGP4	LOGP4H
LOGP4 LOGP4H	Round	Trim	BN-LOGP4RT-NC-REM	Ø4" (Ø100mm)	4 7/8" (110mm)	12 1/4" x 12 15/16" (311 x 328mm)	14 1/4" to 26" (362 to 660mm)	7 1/8" (180mm)	8 1/8" (207mm)
		Trimless Mud	BN-LOGP4RL-NC-REM	Ø4 1/8" (Ø105mm)					
		Trimless Millwork	BN-LOGP4RM-NC-REM						
	Square	Trim	BN-LOGP4ST-NC-REM	□3 1/8" (□97mm)					
		Trimless Mud	BN-LOGP4SL-NC-REM	□3 3/8" (□99mm)					
		Trimless Millwork	BN-LOGP4SM-NC-REM	□3 1/8" (□97mm)					

*Provide a minimum of 1 1/8" (47mm) on each side for the hanger bar fixations

INSTALLATION

(TO BE ORDERED SEPARATELY)

New construction with housing suitable for insulated ceiling (IC) or Chicago Plenum (CP)

Housing with hanger bars system for new construction installations. Suitable for insulated ceiling or Chicago Plenum applications. Housing and trim can be shipped separately.

Ceiling thickness:

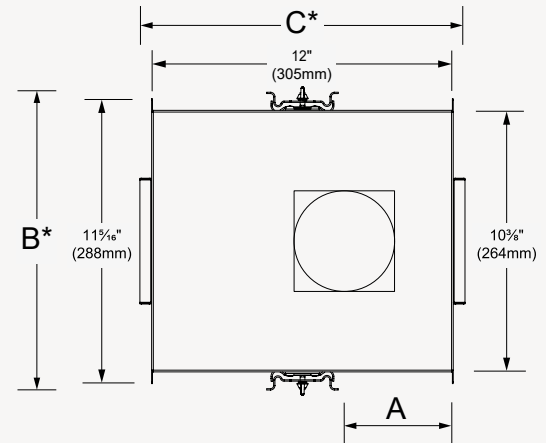
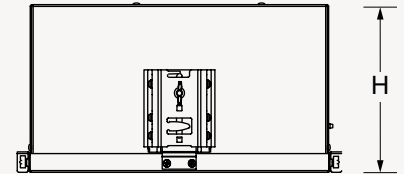
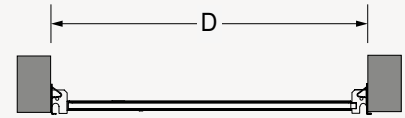
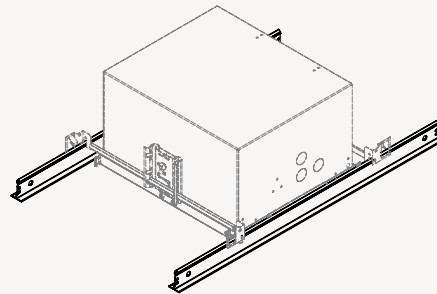
Trim (Round/Square): 1/16" - 15/16" (1-24mm)

Trimless Mud (Round/Square): 1/16" - 15/16" (1-24mm)

Trimless Millwork (Round/Square): 1/2" - 15/16" (12.5-24mm)

Total weight: 6.8lbs (3.1kg)

Hanger bars suitable for Grid ceiling



Model	Shape	Mounting	Housing	Cut-out dimensions	Cut-out position (A)	Max overall dimensions (B*xC*)	Hanger bars (D)	Clearance (H)
LOGP4	Round	Trim	BI-LOGP4RT-IC-REM	Ø4" (Ø100mm)	4 5/16" (110mm)	12 1/4" x 12 15/16" (311 x 328mm)	14 1/4" to 26" (362 to 660mm)	6 1/2" (165mm)
			BI-LOGP4RT-CP-REM					
		Trimless Mud	BI-LOGP4RL-IC-REM	Ø4 1/8" (Ø105mm)				
			BI-LOGP4RL-CP-REM					
		Trimless Millwork	BI-LOGP4RM-IC-REM	Ø4 1/8" (Ø105mm)				
			BI-LOGP4RM-CP-REM					
	Square	Trim	BI-LOGP4ST-IC-REM	□ 3 13/16" (□97mm)				
			BI-LOGP4ST-CP-REM	□ 3 13/16" (□97mm)				
		Trimless Mud	BI-LOGP4SL-IC-REM	□ 3 7/8" (□99mm)				
			BI-LOGP4SL-CP-REM	□ 3 7/8" (□99mm)				
Trimless Millwork	BI-LOGP4SM-IC-REM	□ 3 13/16" (□97mm)						
	BI-LOGP4SM-CP-REM							

*Provide a minimum of 1 7/8" (47mm) on each side for the hanger bar fixations.

MODEL

ROUND TRIM



ROUND TRIMLESS



SQUARE TRIM

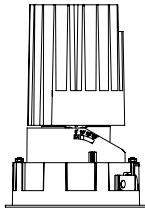


SQUARE TRIMLESS

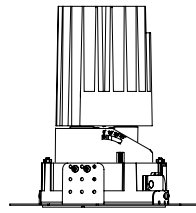


LOGP4H

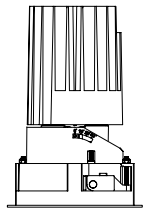
6 1/4"
(158mm)



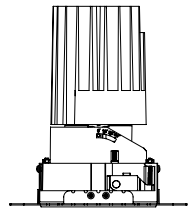
6 1/4"
(158mm)



6 1/4"
(159mm)



6 1/4"
(159mm)

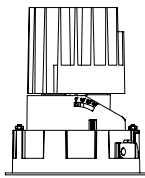


1/16"
(1.5mm)

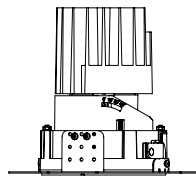
1/16"
(1.5mm)

LOGP4

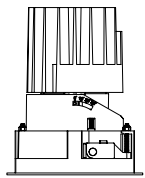
5 1/8"
(130mm)



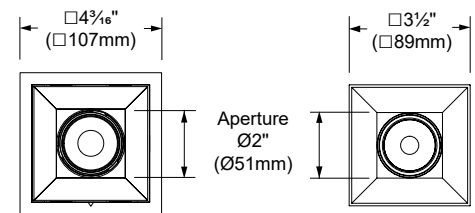
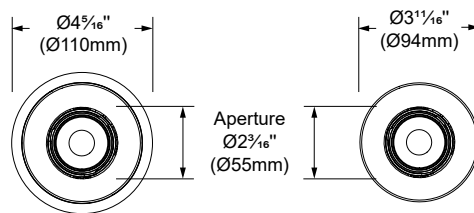
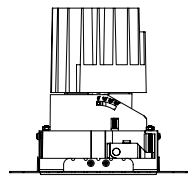
5 1/8"
(130mm)



5 3/16"
(132mm)



5 3/16"
(132mm)

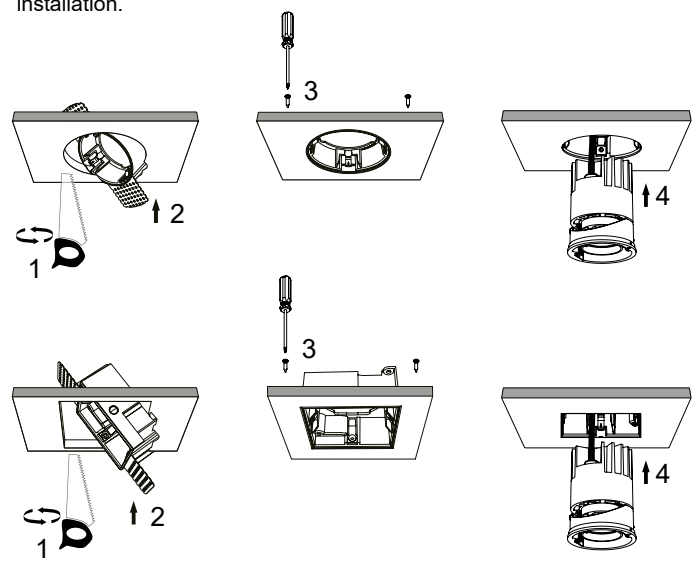
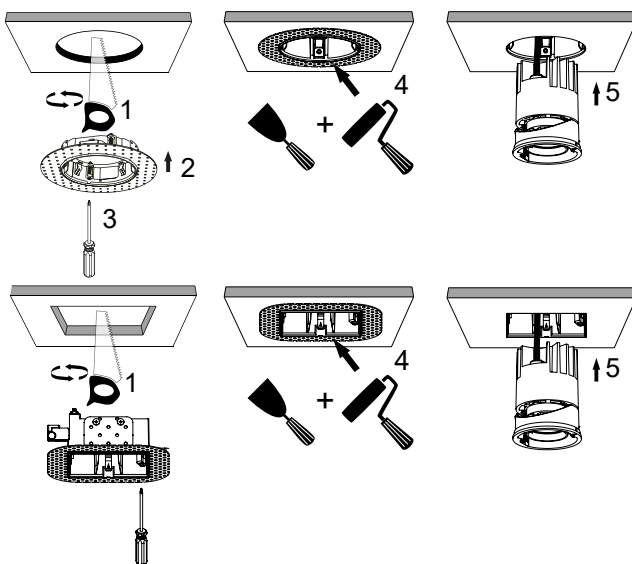


TRIMLESS MUD FRAME KIT

The trimless mud frame kit to be fastened to the gypsum board. The assembly is then finished by plastering, sanding and painting. Install the luminaire inside the opening once painting is completed. The kit is sold separately for retrofit installation or supplied with the plaster frame for new construction installations.

TRIMLESS MILLWORK FRAME KIT

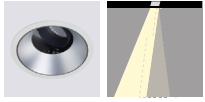
The trimless millwork frame kit to be fastened to the ceiling. Install the luminaire inside the opening once the trimless millwork frame kit installation is completed. The kit is sold separately for retrofit installation or supplied with the plaster frame or the housing for new construction installation.



PHOTOMETRIC DATA ¹

Visit sistimalux.com for complete photometric data.

ADJUSTABLE



CCT (K)	CRI	SYSTEM POWER* (W)	OUTPUT Nominal Luminous Flux	OPTIC	LUMENS ² (lm)	EFFICACY* (lm/W)	MAX CANDELLA ² (cd)	MODELS (Round, Adjustable)
3000	90	9	06 (650 lm)	Narrow Spot (10°)	650	72	11 123	LOGP4R-ANS
				Spot (20°)	1 917	95	11 336	LOGP4R-ASP
		20	21 (2100 lm)	Narrow Flood (30°)	2 142	107	7 402	LOGP4R-ANF
				Flood (40°)	2 106	105	4 434	LOGP4R-AFL
				Wide Flood (50°)	2 067	103	3 020	LOGP4R-AWF
				Spot (20°)	2 179	80	14 784	LOGP4HR-ASP
		27	23 (2300 lm)	Narrow Flood (30°)	2 378	88	8 993	LOGP4HR-ANF
				Flood (40°)	2 329	86	5 068	LOGP4HR-AFL
				Wide Flood (50°)	2 299	85	3 344	LOGP4HR-AWF

* For products that uses a remote LED driver, the total system power (W) and efficacy (lm/W) vary according to the efficiency of the remote LED driver selected. Use multiplier table for other CCT and CRI output data. Efficacy based on IESNA LM-79 test reports. Visit www.sistimalux.com for complete photometric data.

* USE MULTIPLIER TABLE FOR OTHER CCT OUTPUT DATA ¹

CCT options	2700K	3000K	3500K	4000K
CRI options	90CRI	90CRI	90CRI	90CRI
Multiplier (LOGP4R-ANS)	0.98	1	1.02	1.05
Multiplier (LOGP4R-ASP,ANF,AFL,AWF)	0.96	1	1.01	1.03
Multiplier (LOGP4HR-ASP,ANF,AFL,AWF)	0.98	1	1.02	1.05

* USE MULTIPLIER TABLE FOR OTHER LUMEN OUTPUT DATA ¹

Target lumen ³	1500lm	1700lm	1900lm	2100lm
Multiplier (LOGP4R-ASP,ANF,AFL,AWF)	0.72	0.81	0.91	1

* USE MULTIPLIER TABLE FOR FIXED LUMEN OUTPUT DATA ¹

Target Optic	LOGP4R-FNS	LOGP4R-FSP	LOGP4R-FNF	LOGP4R-FFL	LOGP4R-FWF	LOGP4HR-FSP	LOGP4HR-FNF	LOGP4HR-FFL	LOGP4HR-FWF
Multiplier	0.89	0.89	0.89	0.88	0.87	0.89	0.89	0.89	0.88

(1) Please contact customer service for details.

(2) Based on round (R) shape, trim (T) mounting and adjustable (A) optic.

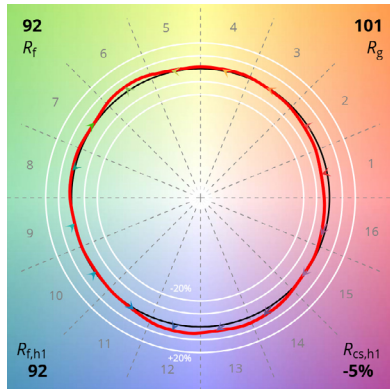
(3) Approximate lumen value, the fixture is configured to deliver under nominal conditions based on selected drive current.

*For the Square version, lumen output may differ from the Round version. Please refer to the IES files available on the website for detailed information.

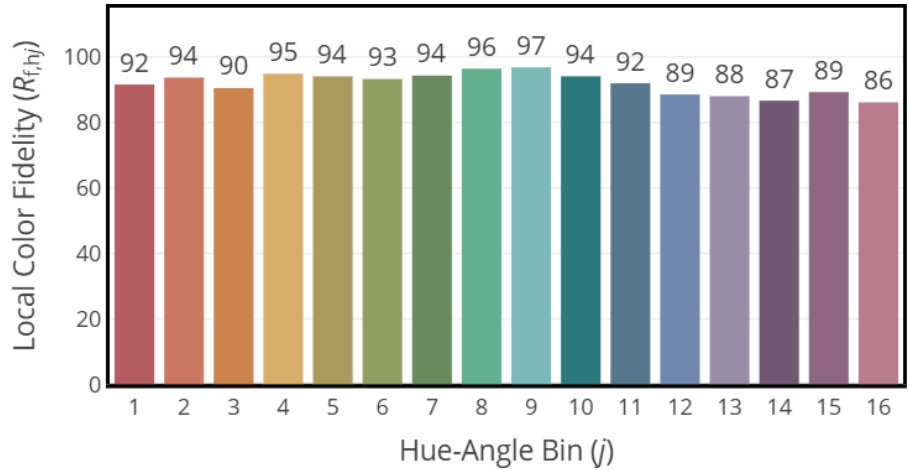
LED COLOR FIDELITY DATA

For 650 lm (06) Output, LOGP4 with Narrow Spot (10°, Optic)

COLOR VECTOR GRAPH



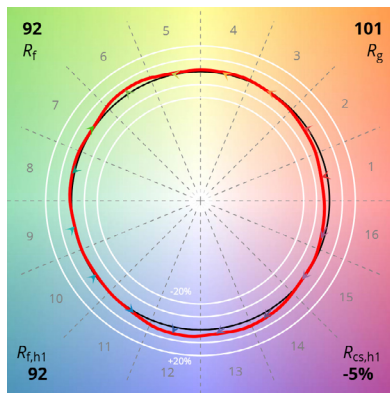
LOCAL COLOR FIDELITY



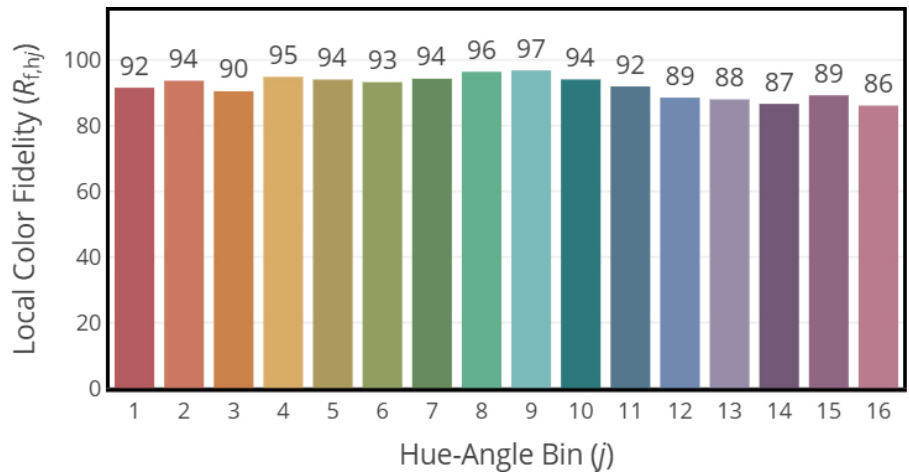
LED COLOR FIDELITY DATA

For 2100 lm (21) Output - LOGP4

COLOR VECTOR GRAPH



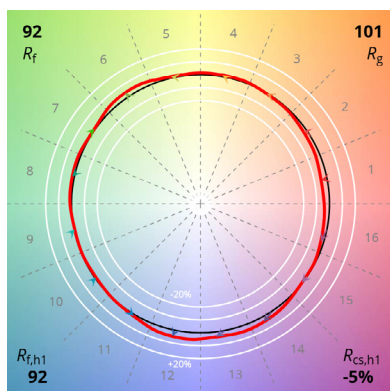
LOCAL COLOR FIDELITY



LED COLOR FIDELITY DATA

For 2300 lm (23) Output - LOGP4H

COLOR VECTOR GRAPH



LOCAL COLOR FIDELITY

