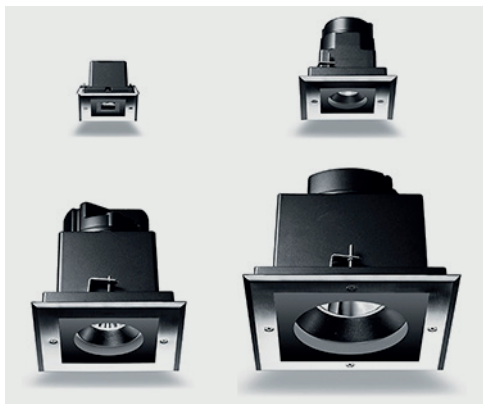


Collection of ceiling recessed luminaires for exterior applications. Available in 4 sizes with round or square design. Exceptional European build quality with high corrosion resistant finish. Robust marine grade die-cast aluminum construction, stainless steel fasteners and glass diffuser. Stainless steel 316L face plate with beveled edges.

Luminaire characteristics:

Power input: 4W to 33.5W
Lumens: 170lm to 2600lm (for 3000K, 90CRI)
Luminaire efficacy: Up to 84 lm/W

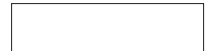
Source:	White LED module (LM-80) 2700K: 90CRI, 3000K: 90CRI, 4000K: 90CRI.
Lumen maintenance:	70% of initial lumens at 50 000 hours (L70), (LM79).
Optics:	Narrow flood and flood adjustable $\pm 15^\circ$.
Material:	Body: Die-cast aluminum with stainless steel front trim. Diffuser: 10mm thick tempered semiacid-etched glass Hardware: Stainless steel screws and silicone gaskets Back box: Polypropylene
Mounting:	Recessed installation in false ceiling.
Electrical:	Microzip: Remote LED driver options on page 3. Minizip, zip and megazip: Integral high efficiency LED driver, rated at 50 000 hours, 120-277V.
Dimming:	0-10V dimming (120-277V), down to 15%. See remote LED driver options on page 3.
Finish:	Stainless steel finish. Painted finish follows a double powder paint in 3 step process: surface treatment containing ceramic nano particles (Bonderite). Epoxy primer paint. Polyester powder paint with high resistance against UV rays and harsh weather conditions.
Weight:	Microzip comfort: 1.3lbs (0.6kg). Minizip comfort: 2.4lbs (1.1kg). Zip comfort: 7.5lbs (3.4kg). Megazip comfort: 13lbs (6kg).
Glass surface temperature:	Less than 37°C (99°F)
Warranty:	5 year limited warranty.
Ratings:	IP67, IK09
Certification:	cULus listed for wet location.



ORDERING INFO

- - **19** -
FIXTURE

HOUSING



MODEL

- Microzip comfort Minizip comfort Zip comfort Megazip comfort

SHAPE

- Round Square

LED

- 927 - 2700K, 90CRI 930 - 3000K, 90CRI 940 - 4000K, 90CRI

OPTIC

- Narrow flood**
- Zip (25°)
- Flood**
- Microzip (36°)
- Minizip (32°)
- Megazip (30°)

VOLTAGE

- UNV - 120-277V⁽¹⁾ REM - Remote⁽²⁾

FINISH

- 19** - Stainless steel

DIMMING

- D10** - 0-10V (down to 15%)

⁽¹⁾ Available for zip, minizip and megazip models.
⁽²⁾ Available for microzip model.

CONNECTION ACCESSORY

- 9010** - IP68 field connector for remote LED drivers.
For 0.26" - 0.34" (6.5-8.5mm) cable, 2P 12-18 AWG conductors.



- 9011** - IP68 field connector for 0-10V dimming.
For 0.34" - 0.41" (8.5-10.5mm) cable, 5P 14-18 AWG conductors.



HOUSING ACCESSORY (minizip comfort model only)

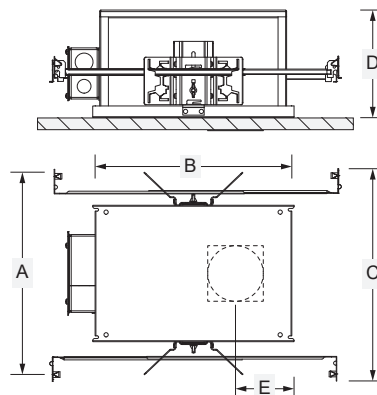
- BI-MINIZIP-RD-IC-D10**
Minizip comfort round insulated housing

- BI-MINIZIP-SQ-IC-D10**
Minizip comfort square insulated housing

Overall dimensions (AxB): 12³/₄" x 14³/₈" (324 x 365mm)
Hanger bars (C): 14¹/₄" to 26" (362 to 660mm)
Clearance (D): 7¹/₂" (190mm)

INSTALLATION INFORMATION

Ceiling thickness: 1/8" - 1 1/8" (3mm - 29mm)
Cut-out round: Ø4 1/2" (Ø115mm)
Cut-out square: 4 1/2" x 4 1/2" (115 x 115mm)
Cut-out position (E): 3 3/4" (95mm)



REMOTE LED DRIVER OPTIONS
(TO BE ORDERED SEPARATELY)

Microzip comfort round and square • S5515, S5525 • 2W* • 700mA

Wet location

Min-max units	Watts	Voltage	Dimming protocol	Dimming range	Connection box dimensions	Max distance**	Connection box
1-2	04	120V	Leading and trailing edge (ELV and TRIAC)	Down to ±15%	6 x 4½" x 3" (152 x 114 x 76mm)	30ft (9m)	4548-0700-004-120-LTE <input type="checkbox"/>
4-9	20	120-277V	Lutron Hi Lume® 1% EcoSystem™ (Soft-on, Fade to Black)	Down to ±1%	6 x 4½" x 3" (152 x 114 x 76mm)	30ft (9m)	4548-0700-020-UNV-D2 <input type="checkbox"/>
1-14	30	120-277V	0-10V ELDOLED ECOdrive	Down to ±1%	14½" x 5" x 3½" (368 x 165 x 89mm)	118ft (36m)	4549-0700-030-UNV-ED10 <input type="checkbox"/>
1-14	30	120-277V	0-10V ELDOLED SOLOdrive	Down to ±0.1%	14½" x 5" x 3½" (368 x 165 x 89mm)	118ft (36m)	4549-0700-030-UNV-SD10 <input type="checkbox"/>

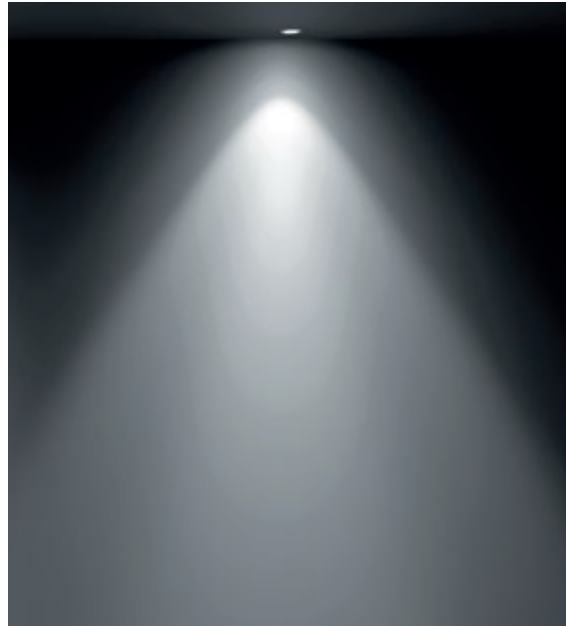
* Wattage requirement for one (1) fixture (Remote fixture only).
** Calculated for 16AWG cable. Contact customer service for longer remote distance.

Dry location

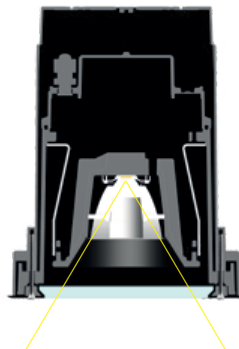
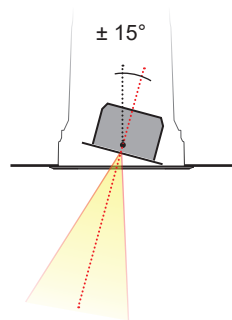
Min-max units	Watts	Voltage	Dimming protocol	Dimming range	Connection box dimensions	Max distance**	Connection box
1-2	04	120V	Leading and trailing edge (ELV and TRIAC)	Down to ±15%	6 x 4½" x 3" (152 x 114 x 76mm)	30ft (9m)	4444-0700-004-120-LTE <input type="checkbox"/>
4-9	20	120-277V	Lutron Hi Lume® 1% EcoSystem™ (Soft-on, Fade to Black)	Down to ±1%	6 x 4½" x 3" (152 x 114 x 76mm)	30ft (9m)	4444-0700-020-UNV-D2 <input type="checkbox"/>
1-14	30	120-277V	0-10V ELDOLED ECOdrive	Down to ±1%	14½" x 5" x 3½" (368 x 165 x 89mm)	118ft (36m)	4450-0700-030-UNV-ED10 <input type="checkbox"/>
1-14	30	120-277V	0-10V ELDOLED SOLOdrive	Down to ±0.1%	14½" x 5" x 3½" (368 x 165 x 89mm)	118ft (36m)	4450-0700-030-UNV-SD10 <input type="checkbox"/>

* Wattage requirement for one (1) fixture (Remote fixture only).
** Calculated for 16AWG cable. Contact customer service for longer remote distance.

OVERVIEW

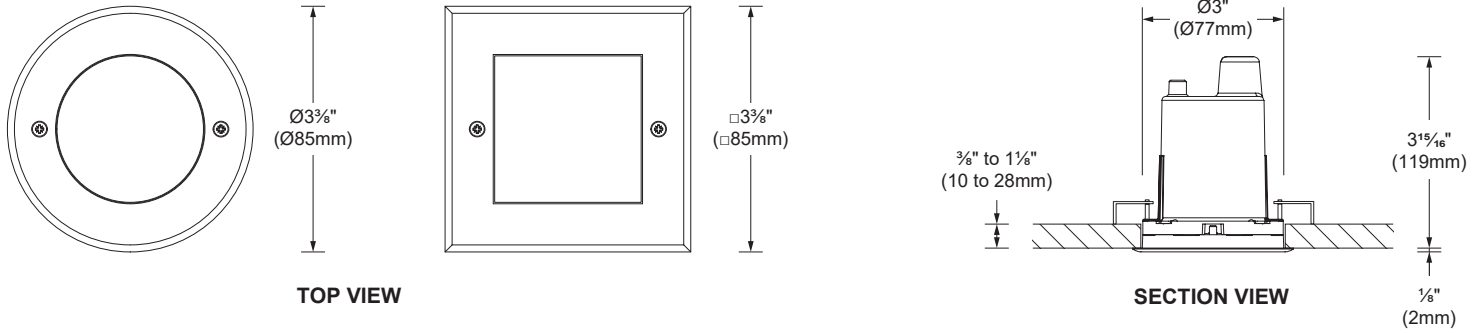


Narrow flood / flood optic



DIMENSIONS

MICROZIP COMFORT
Remote driver

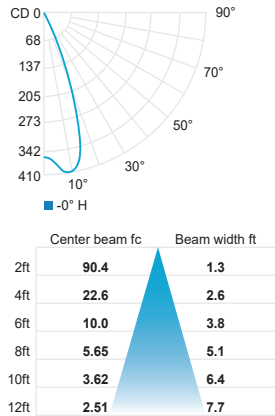


PHOTOMETRIC DATA

CCT (K)	CRI	LOAD (W)	OPTIC	LUMENS (lm)	EFFICACY (lm / W)	MAX CANDELA (cd)	MODELS (round / square)
2700K	90	4W	Flood 36°	160	45	380	S5515H / S5525H
3000K				170	47	405	S5515W / S5525W
4000K				175	48	415	S5515N / S5525N

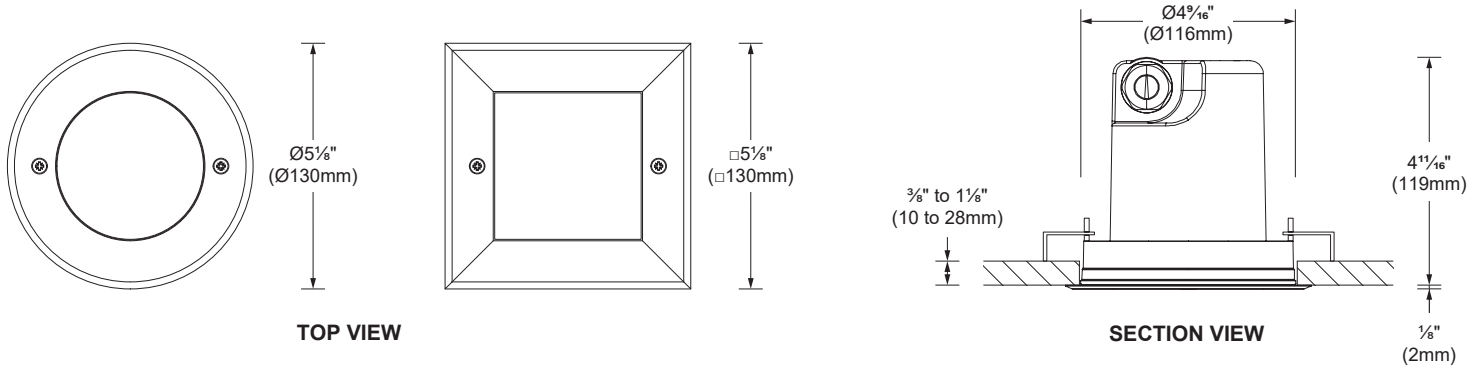
Efficacy based on IESNA LM-79 test reports. Visit sistimalux.com for complete photometric data.

Flood 36° (3000K, 90 CRI)



DIMENSIONS

MINIZIP COMFORT
Integral driver

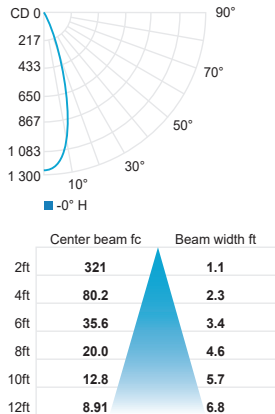


PHOTOMETRIC DATA

CCT (K)	CRI	LOAD (W)	OPTIC	LUMENS (lm)	EFFICACY (lm / W)	MAX CANDELA (cd)	MODELS (round / square)
2700K	90	9W	Flood 32°	405	47	1 210	S5545H / S5555H
3000K				430	49	1 280	S5545W / S5555W
4000K				455	52	1 345	S5545N / S5555N

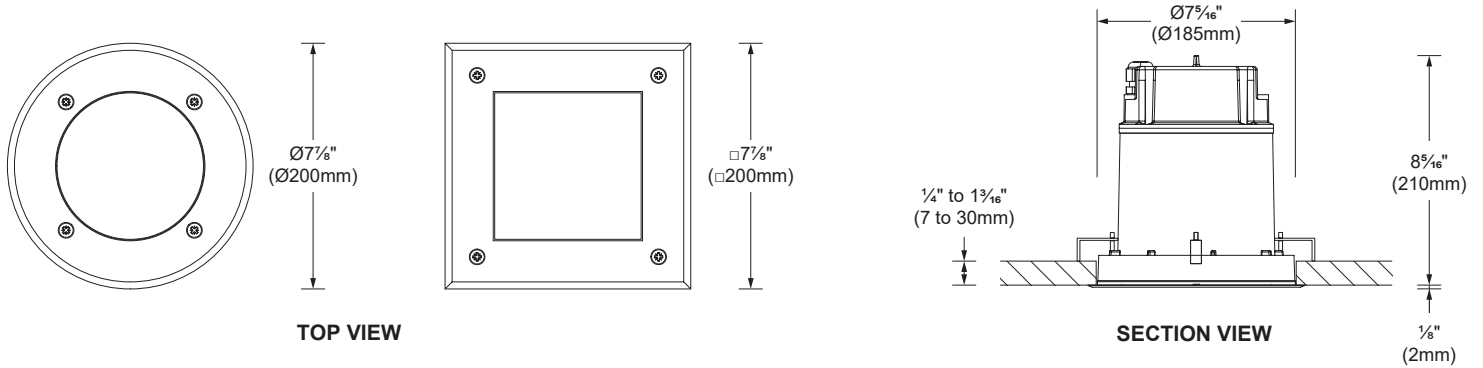
Efficacy based on IESNA LM-79 test reports. Visit sistimalux.com for complete photometric data.

Flood 32° (3000K, 90CRI)



DIMENSIONS

ZIP COMFORT
Integral driver

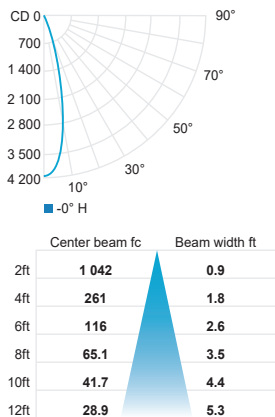


PHOTOMETRIC DATA

CCT (K)	CRI	LOAD (W)	OPTIC	LUMENS (lm)	EFFICACY (lm / W)	MAX CANDELA (cd)	MODELS (round / square)
2700K	90	15.5W	Narrow flood 25°	935	61	4 025	S5565H / S5575H
3000K				970	63	4 165	S5565W / S5575W
4000K				1 025	67	4 425	S5565N / S5575N

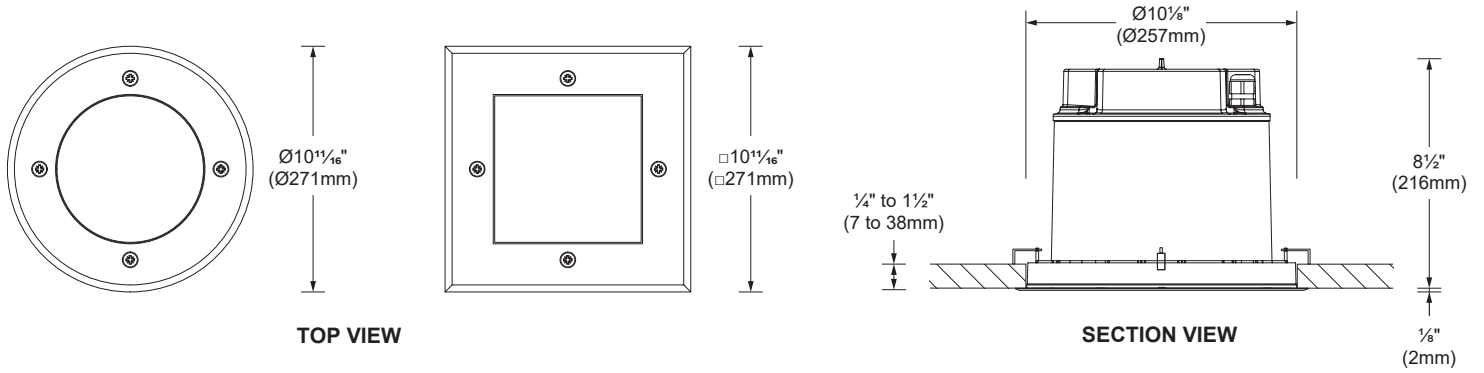
Efficacy based on IESNA LM-79 test reports. Visit sistimalux.com for complete photometric data.

Narrow flood 25° (3000K, 90CRI)



DIMENSIONS

MEGAZIP COMFORT
Integral driver



PHOTOMETRIC DATA

CCT (K)	CRI	LOAD (W)	OPTIC	LUMENS (lm)	EFFICACY (lm / W)	MAX CANDELA (cd)	MODELS (round / square)
2700K	90	33.5W	Flood 30°	2 515	75	9 230	S5585H / S5595H
3000K				2 600	78	9 545	S5585W / S5595W
4000K				2 800	84	10 270	S5585N / S5595N

Efficacy based on IESNA LM-79 test reports. Visit sistimalux.com for complete photometric data.

Flood 30° (3000K, 90CRI)

