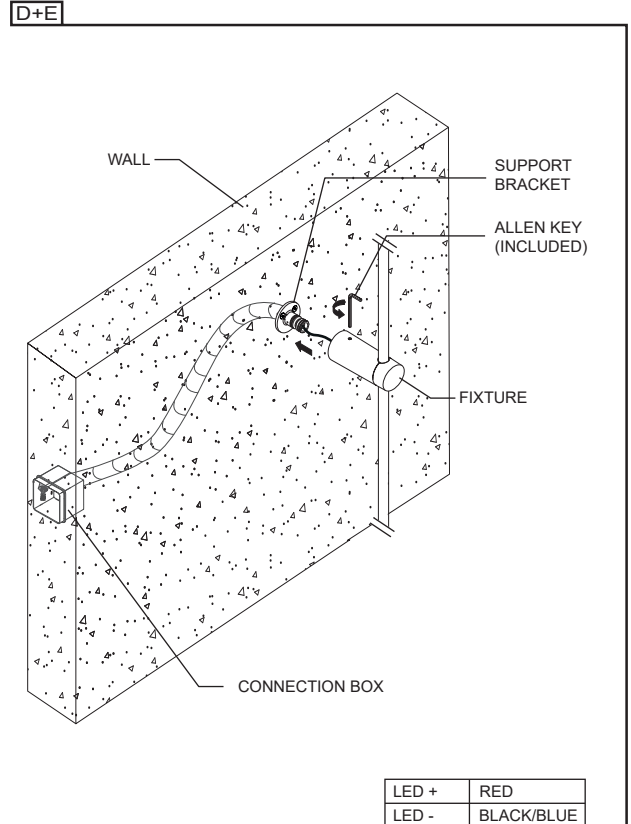
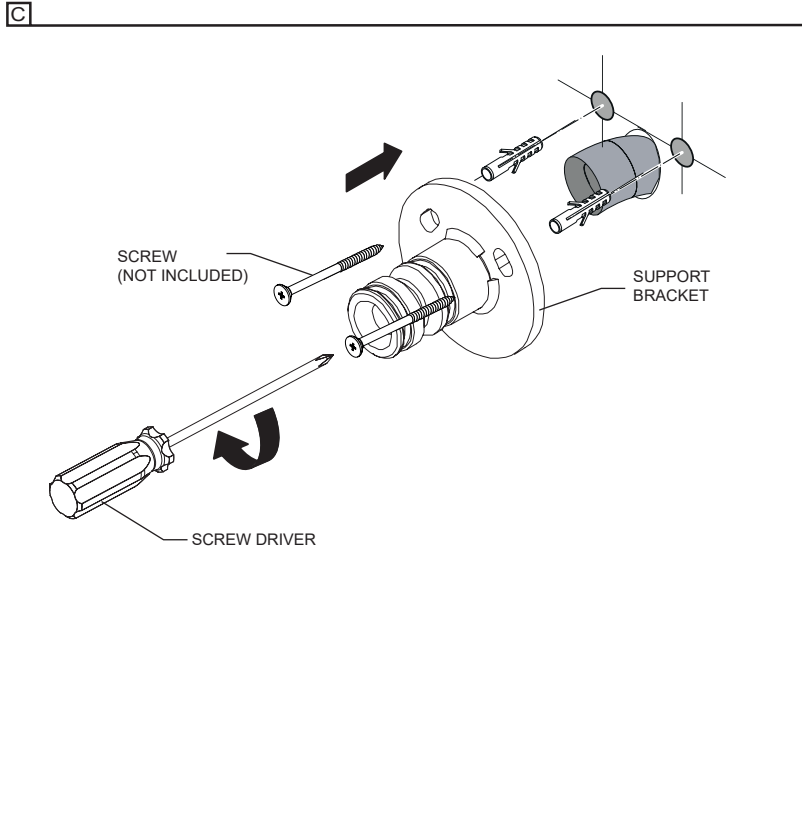
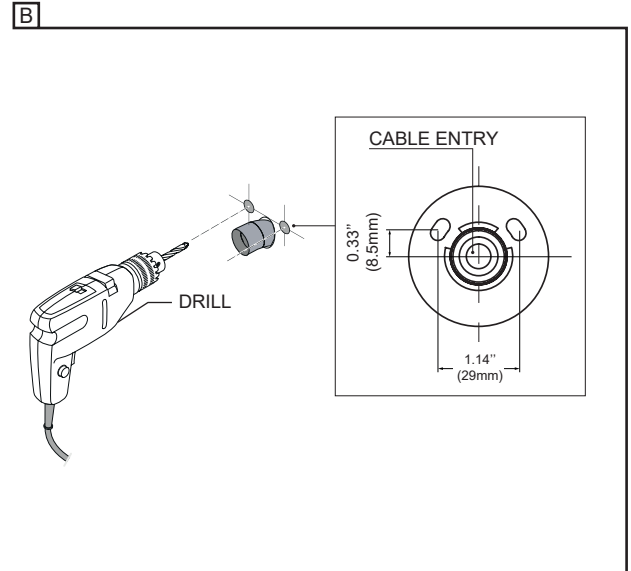
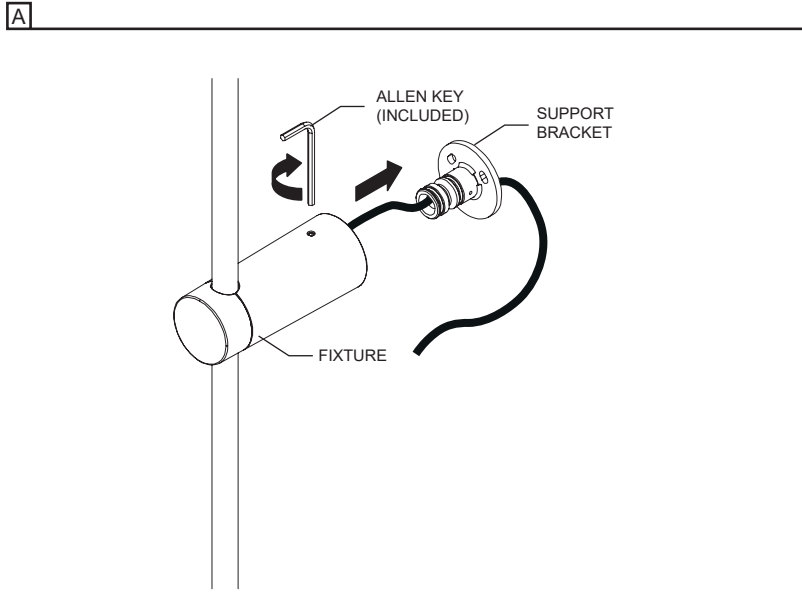


IMPORTANT - READ CAREFULLY BEFORE INSTALLING FIXTURE. RETAIN THESE INSTRUCTIONS FOR FUTURE REFERENCE.
 THIS PRODUCT MUST BE INSTALLED IN ACCORDANCE WITH THE NATIONAL ELECTRICAL CODE AND ALL APPLICABLE LOCAL CODES, BY A PERSON FAMILIAR WITH THE CONSTRUCTION AND OPERATION OF THE PRODUCT, AND THE HAZARDS INVOLVED.

INSTALLATION WITHOUT JUNCTION BOX (S2280, S2281)

- A - USING THE ALLEN KEY (INCLUDED) REMOVE THE SUPPORT BRACKET FROM THE FIXTURE.
- B - PREPARE INSTALLATION SURFACE (SEE DIMENSIONS BELOW).
- C - SECURE THE BASE TO THE WALL USING THE APPROPRIATE (2) SCREWS (MAX#12) (NOT INCLUDED).
- D - PASS THE WIRE INTO THE WALL TO THE CONNECTION BOX AND MAKE THE NECESSARY CONNECTION FOLLOWING POLARITY MARKING.
- E - INSERT THE FIXTURE IN THE SUPPORT BRACKET THEN TIGHTEN IT WITH AN ALLEN KEY.

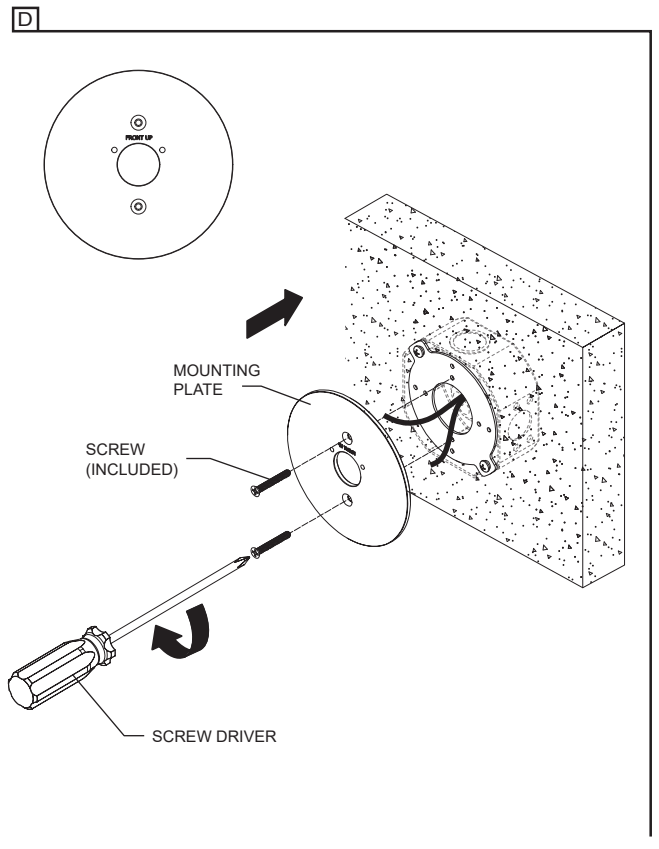
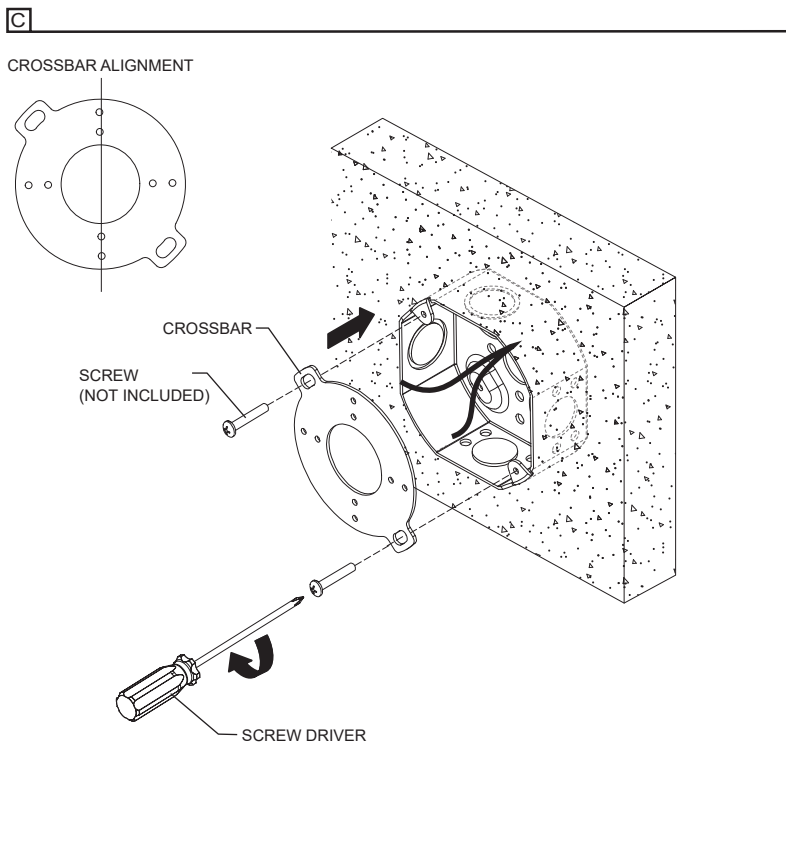
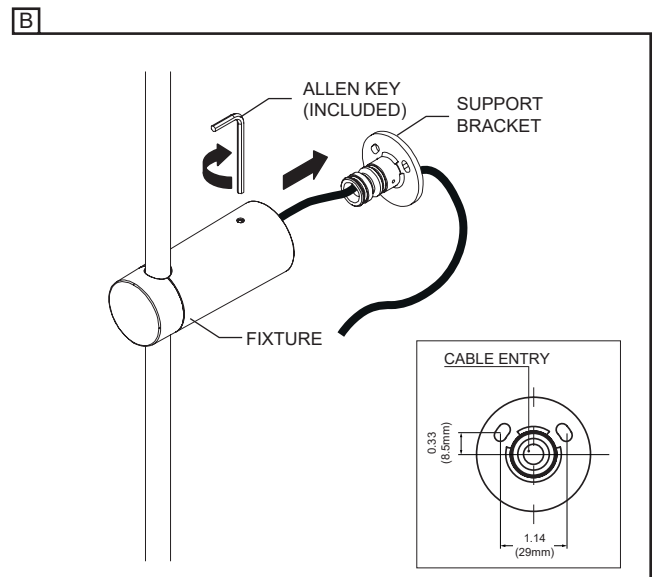
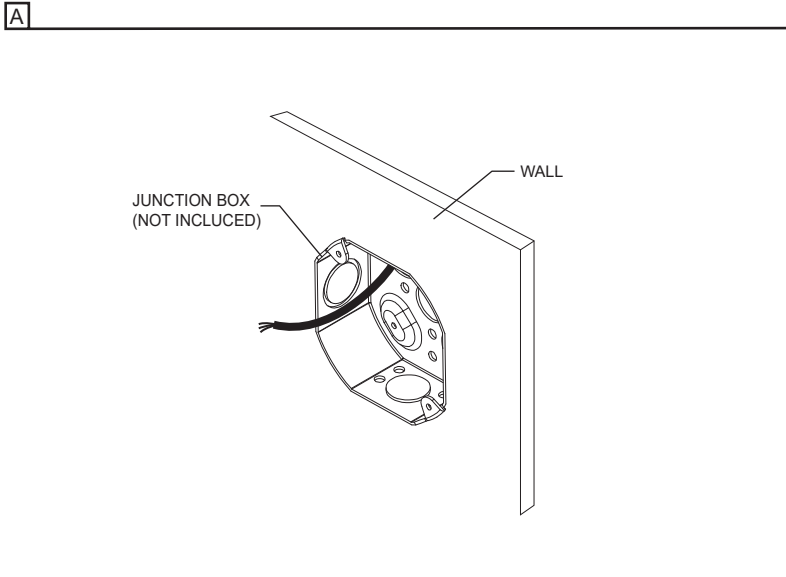


LED +	RED
LED -	BLACK/BLUE

IMPORTANT - READ CAREFULLY BEFORE INSTALLING FIXTURE. RETAIN THESE INSTRUCTIONS FOR FUTURE REFERENCE.
THIS PRODUCT MUST BE INSTALLED IN ACCORDANCE WITH THE NATIONAL ELECTRICAL CODE AND ALL APPLICABLE LOCAL CODES, BY A PERSON FAMILIAR WITH THE CONSTRUCTION AND OPERATION OF THE PRODUCT, AND THE HAZARDS INVOLVED.

4" JUNCTION BOX INSTALLATION WITH REMOTE DRIVER (S2280, S2281)

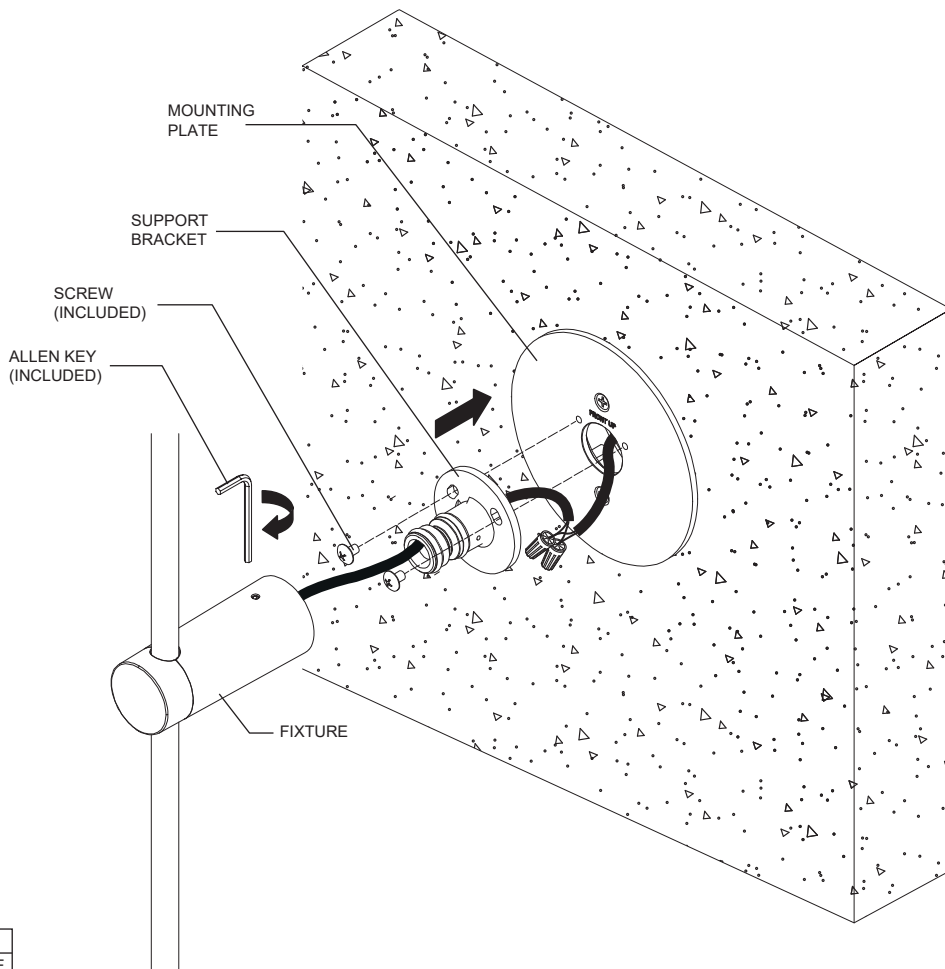
- A - PREPARE SURFACE FOR INSTALLATION USING 4" OCTAGONAL JUNCTION BOX.
- B - USING THE ALLEN KEY (**INCLUDED**) REMOVE THE SUPPORT BRACKET FROM THE FIXTURE.
- C - FIX THE CROSSBAR TO THE JUNCTION BOX USING #8-32 SCREWS (**NOT INCLUDED**) MAKE SURE THE CROSSBAR IS PROPERLY ALIGNED.
- D - INSTALL THE MOUNTING PLATE ON THE CROSSBAR USING 2 FLAT HEAD PHILIPS SCREWS (**INCLUDED**).



4" JUNCTION BOX INSTALLATION WITH REMOTE DRIVER (S2280, S2281)

- E- MAKE ALL NECESSARY CONNECTIONS FOLLOWING POLARITY. PUSH BACK WIRES AND CONNECTORS IN JUNCTION BOX. USE 2 SCREWS (**INCLUDED**) TO INSTALL THE SUPPORT BRACKET TO THE MOUNTING PLATE.
- F- PUSH WIRE IN JUNCTION BOX, PUSH FIXTURE ON THE SUPPORT BRACKET AND LOCK IT IN THE PLACE BY TIGHTEN THE SCREWS WITH ALLEN KEY.

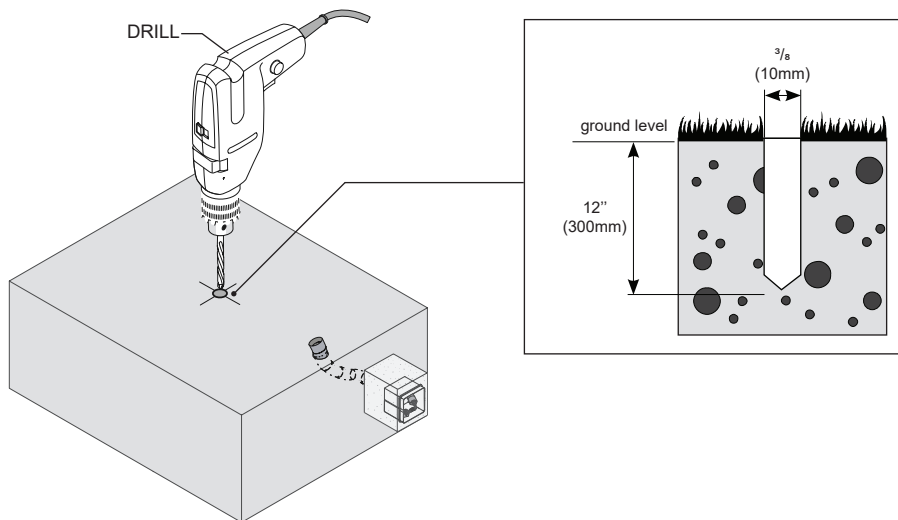
E+F



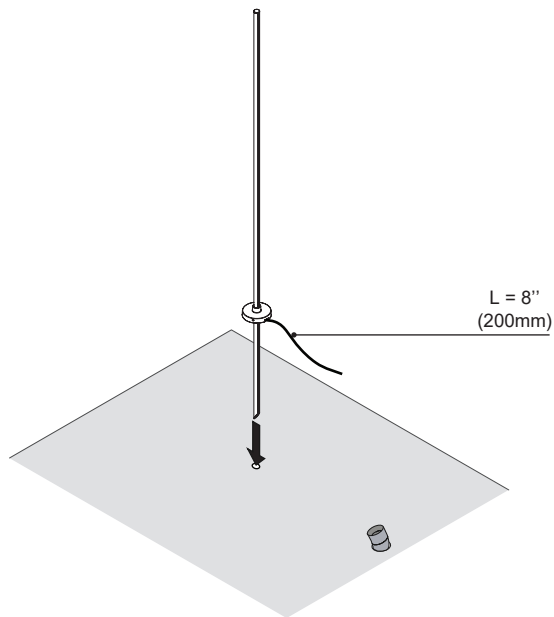
INSTALLATION ON STAKE WITH REMOTE DRIVER (S2285)

- A- PRE-DRILL THE GROUND TO FACILITATE THE INSERTION OF THE STAKE WITH A 3/8" DRILLING BIT.
- B- INSERT THE FIXTURE IN THE GROUND.

A

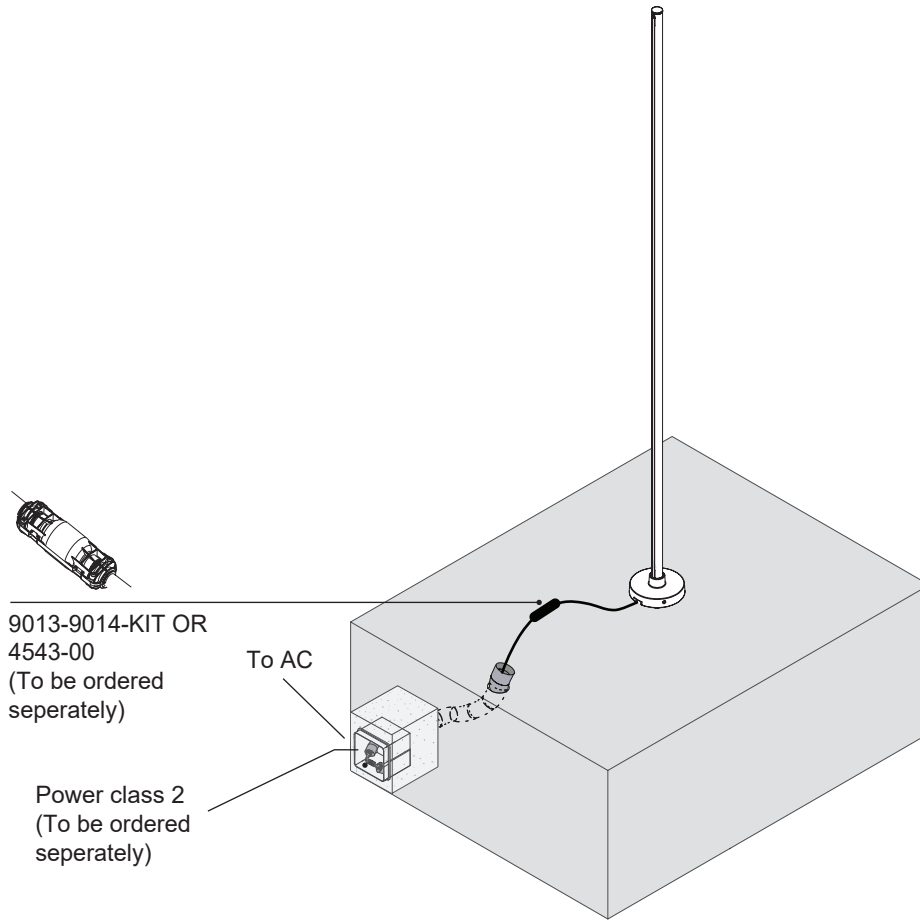


B

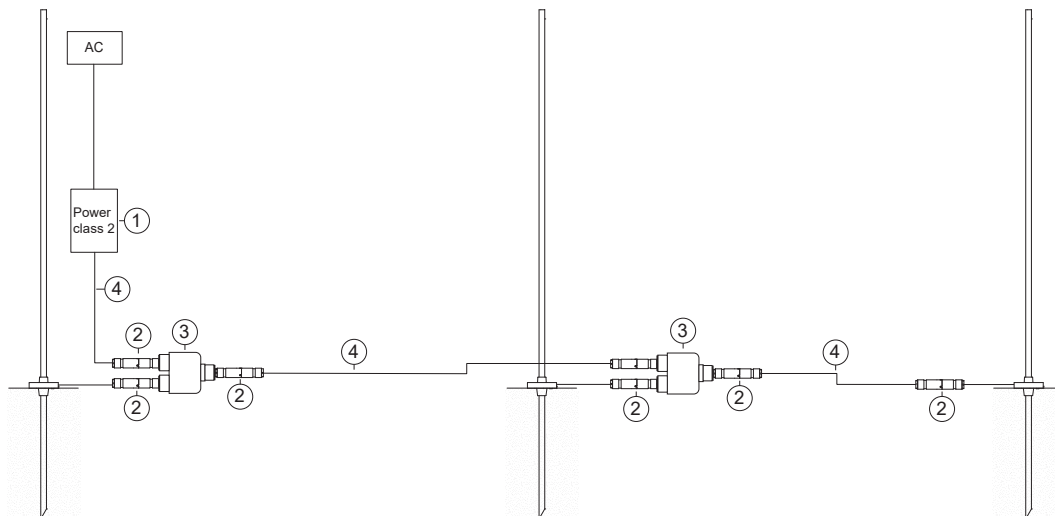


INSTALLATION ON STAKE WITH REMOTE DRIVER (S2285)

C - USE A WATER TIGHT CONNECTOR OR A DERIVATION WETPROOF BOX TO MAKE THE CONNECTION.



EXAMPLE OF CONNECTION IN PARALLEL



- To be ordered separately
- ① Power class 2
 - ② 9013-9014-KIT
 - ③ 9200
 - ④ Cable 2 conductors 20-22AWG 0.15 to 0.27"(4-7mm) (by others)