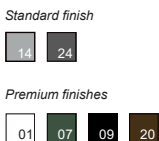


Ground mounted bollard suitable for walkways and paths, being a valid alternative to a wall recessed illumination.

Luminaire characteristics:	Power input: 41.3W Lumens: 1528lm (for 3000K 90CRI) Luminaire efficacy: Up to 38lm/w
Source:	LED Module 2700K: 90CRI, 3000K: 90CRI, 4000K: 80CRI.
Lumen maintenance:	80% of initial lumens at 70 000 hours (L80 B10) T77° (25°) 80% of initial lumens at 50 000 hours (L80 B10) T104° (40°) (LM-80)
Optics:	Accent light
Material:	Body: Die-cast and extruded aluminum Diffuser: Clear reeded polycarbonate Hardware: Stainless steel screws and silicone gaskets
Mounting:	Install with flange accessory or fasten to ground
Electrical:	High efficiency electronic LED driver. Rated 50 000 hours, 120V-277V
Dimming:	0-10V (120-277V), down to 10%.
Finish:	Aluminum and anthracite gray painted finish. Double powder paint coat in 3 steps process: surface treatment containing ceramic nano particles (Bonderite). Epoxy primer paint. Polyester powder paint with high resistance against UV rays and harsh weather conditions. See page 2 for other custom finishes available.
Weight:	25.9lb (11.75kg)
Warranty:	5 year limited warranty
Ratings:	IP66, IK10
Certification:	cULus listed for wet location.



ORDERING INFO



PRODUCT CODE

--	--	--	--

MODEL	LED	VOLTAGE	FINISH	DIMMING	
S5339 Cubiks 800	H 2700K, 90CRI	UNV 120-277V	14 Gray	D10 0-10V	
	W 3000K, 90CRI		24 Anthracite gray		
	N 4000K, 80CRI		<i>PREMIUM</i>		
			01 White		
			07 Green		
			09 Black		
			20 Burnished bronze		

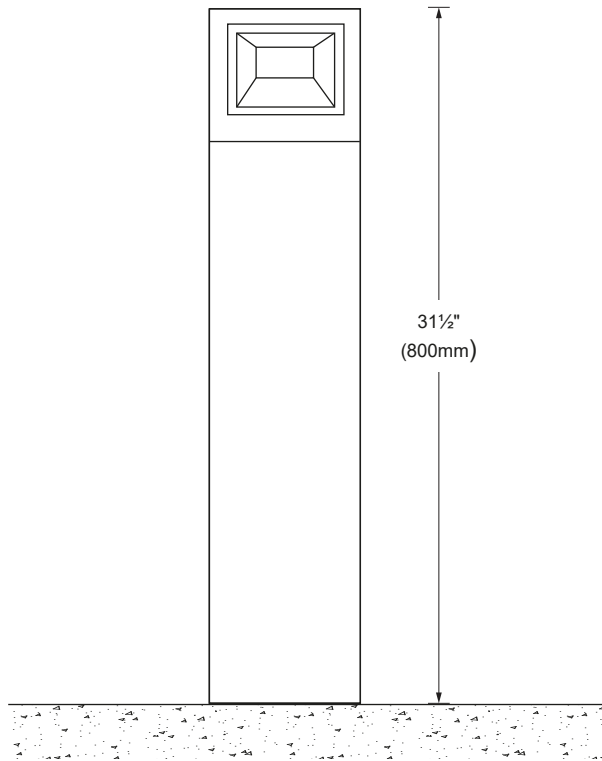
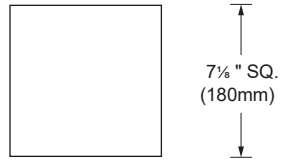
ACCESSORIES
(TO BE ORDERED SEPARATELY)

- S5310** - Flange with stainless steel screws
Ø 7" x H 9½
(Ø 180mm x H: 241mm)
(To be installed in concrete)



DIMENSIONS

S5339
Cubiks 800mm

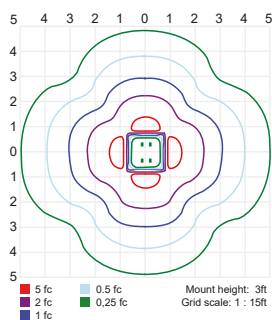
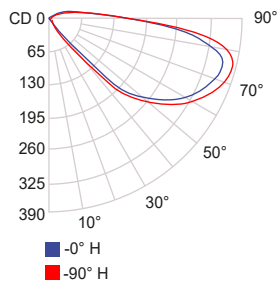


PHOTOMETRIC DATA

Visit sistimalux.com for complete photometric data

CCT (K)	CRI	LOAD (K)	OPTIC	LUMENS (lm)	EFFICACY (lm / W)	MAX CANDELA (cd)	B.U.G	MODELS
3000K	90	41.3W	Accent light	1528	38	389	B1 - U3 - G2	S5339W - 800mm

Accent light 800 (3000K, 90CRI)



CCT options	2700K	3000K	4000K
CRI options	90CRI	90CRI	90CRI
Multiplier	0.94	1	1.25