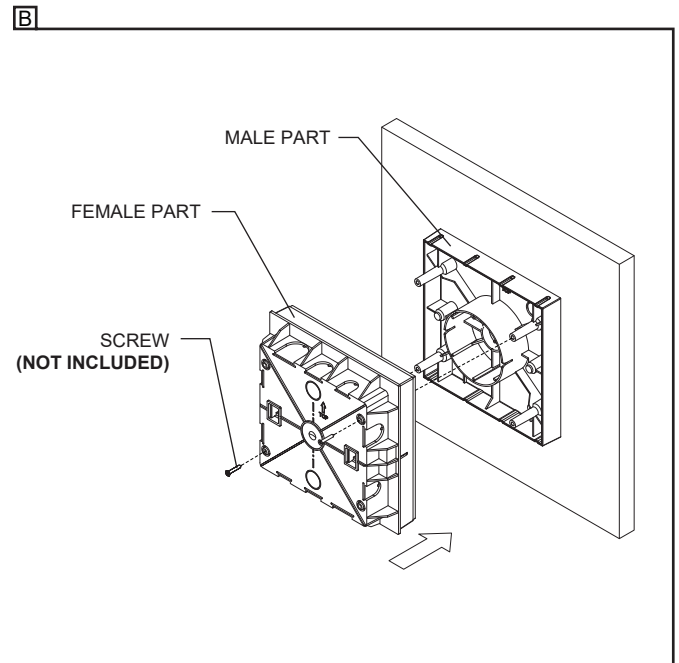
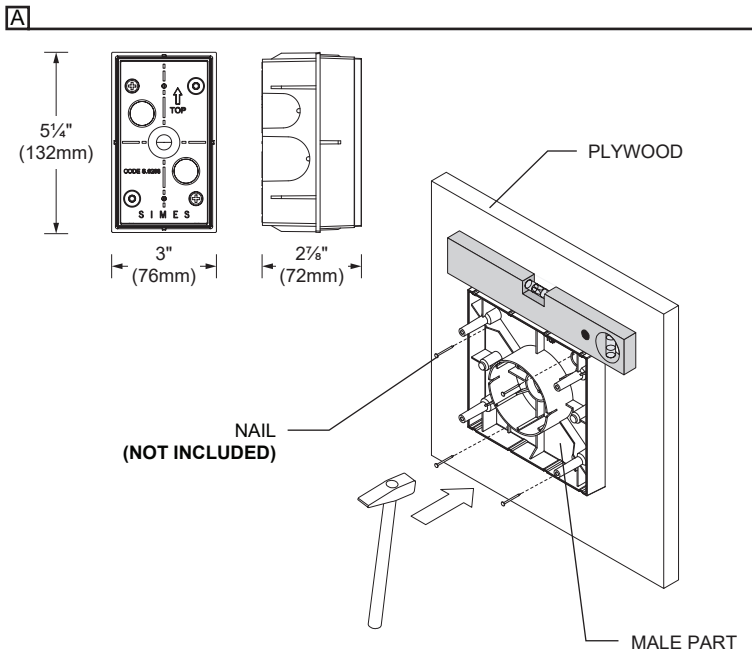


**IMPORTANT** - READ CAREFULLY BEFORE INSTALLING FIXTURE. RETAIN THESE INSTRUCTIONS FOR FUTURE REFERENCE. THIS PRODUCT MUST BE INSTALLED IN ACCORDANCE WITH THE NATIONAL ELECTRICAL CODE AND ALL APPLICABLE LOCAL CODES, BY A PERSON FAMILIAR WITH THE CONSTRUCTION AND OPERATION OF THE PRODUCT, AND THE HAZARDS INVOLVED. PROPER GROUNDING IS REQUIRED FOR SAFETY.

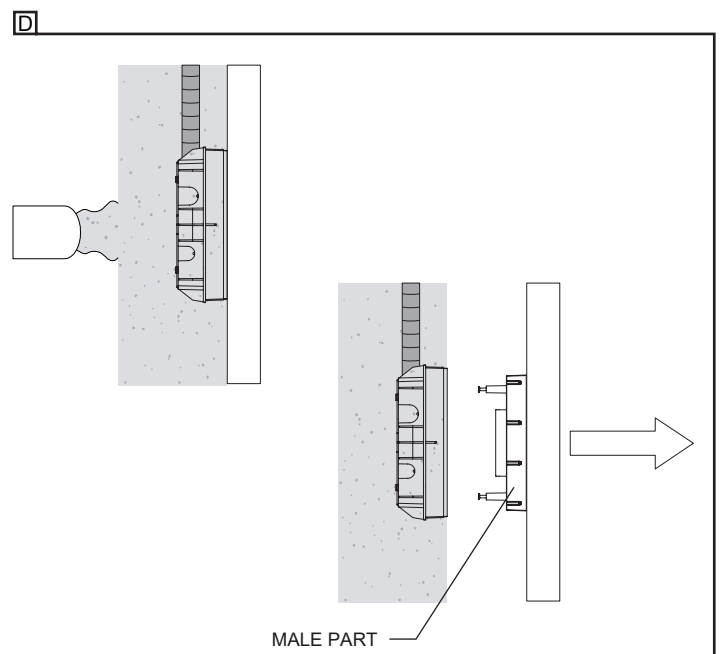
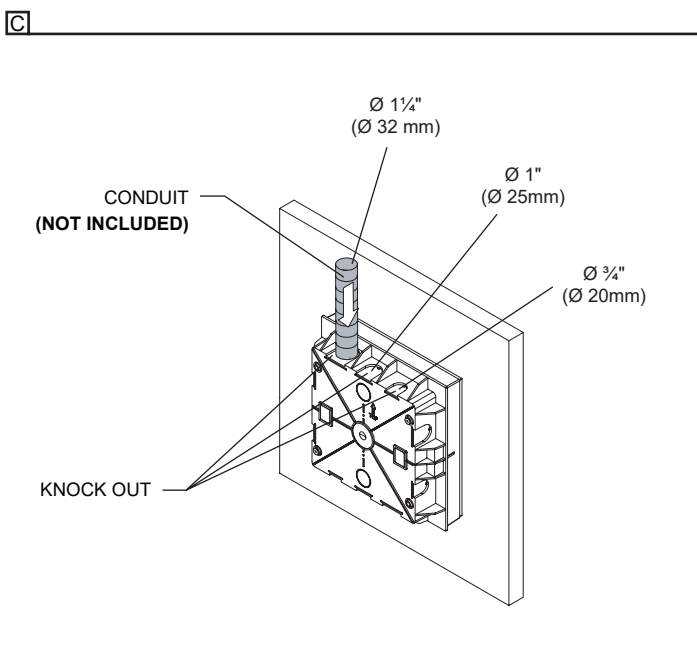
**⚠ DISCONNECT THE MAIN LINE BEFORE WIRING SECONDARY CONNECTORS.**

## INSTALLATION FLUSH MOUNT RECESSED (WITH BACKBOX S6239) REMOTE DRIVER (FM-REM)

- A- USE NAILS (NOT INCLUDED) TO INSTALL THE MALE PART OF THE BACKBOX TO THE PLYWOOD.
- B- SCREW (NOT INCLUDED) TOGETHER MALE AND FEMALE PART OF THE BACKBOX.



- C- INSTALL CONDUIT (NOT INCLUDED) IN THE APPROPRIATE KNOCK OUT.
- D- POUR CONCRETE IN THE FORMWORK WHERE THE FIXTURE IS PLACED. WAIT FOR THE CONCRETE TO DRY. WHEN YOU REMOVE THE FORMWORK, THE MALE PART OF THE BACKBOX WILL COME OUT.



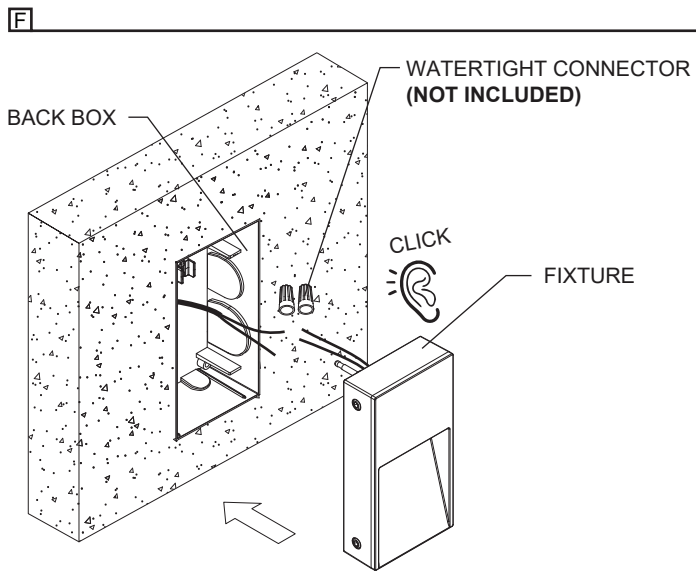
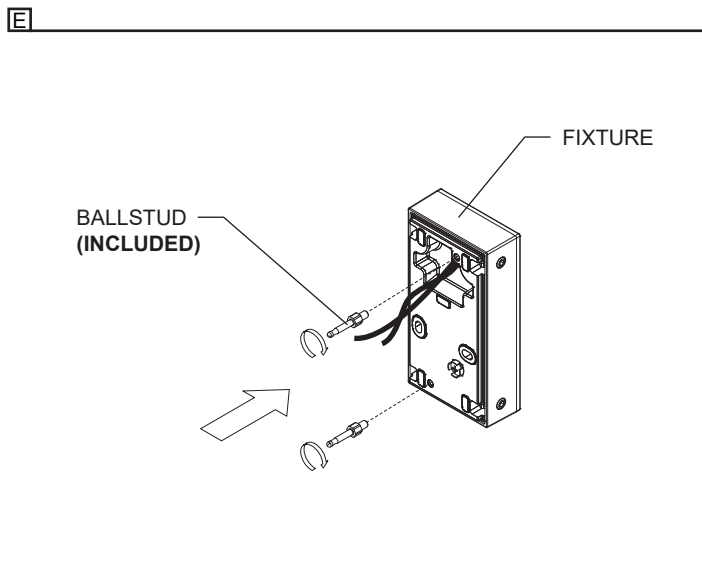
# MINISKILL VERTICAL

MODEL : S6230 / SL9230

E- INSTALL (2) BALLSTUD (INCLUDED) ON THE FIXTURE.

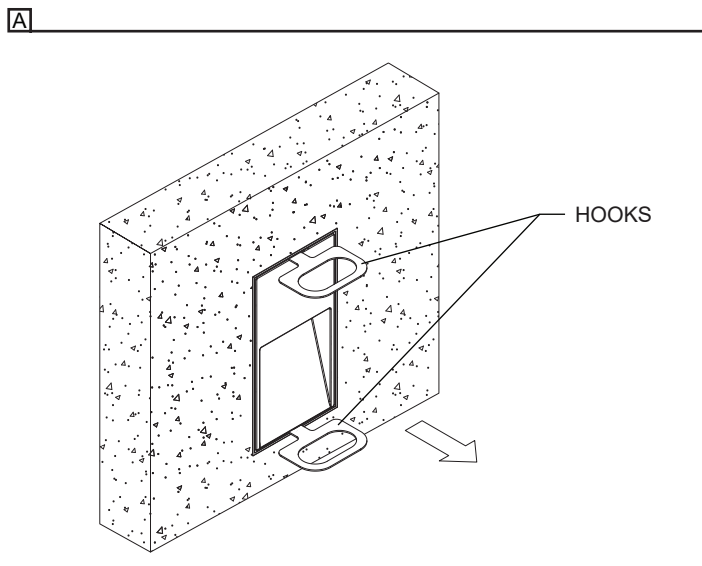
F- MAKE WIRE CONNECTION (FOLLOWING POLARITY MARKING) USING WATERTIGHT CONNECTOR (NOT INCLUDED) AND PUSH THE FIXTURE IN THE BACK BOX UNTIL IT CLICK IN PLACE.

-	BLACK
+	RED



## MAINTENANCE

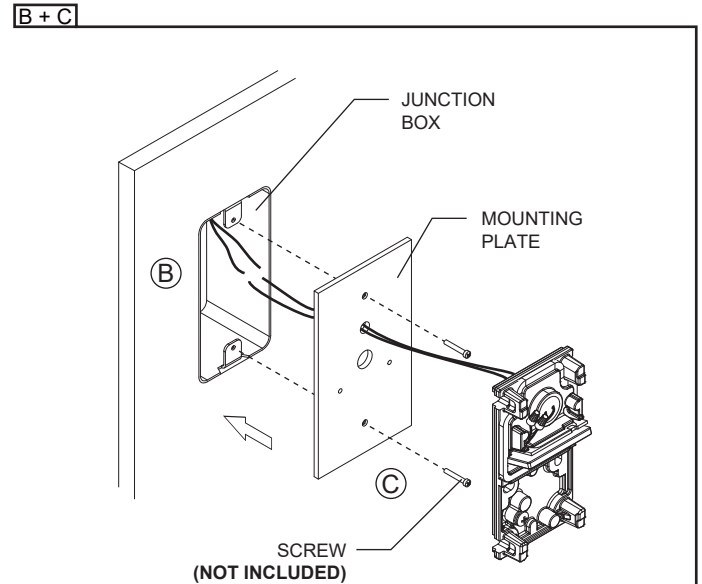
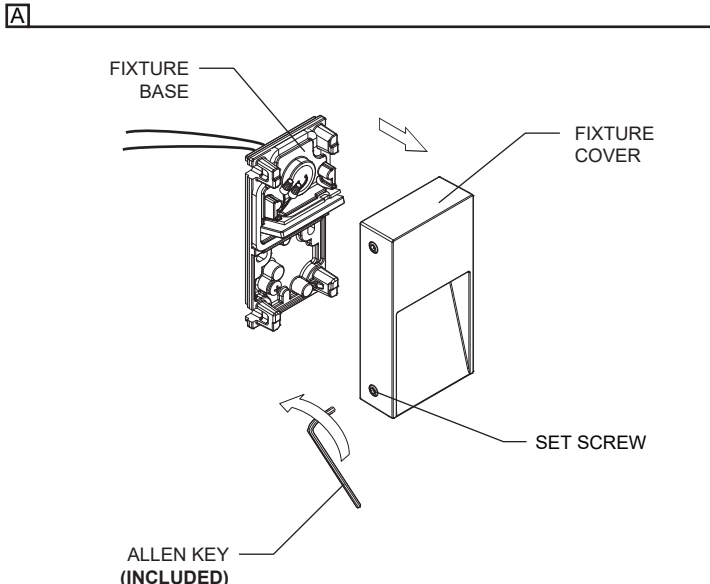
A- PLACE THE HOOKS ON EACH SIDE OF THE FIXTURE AND PULL TO LET IT OUT.



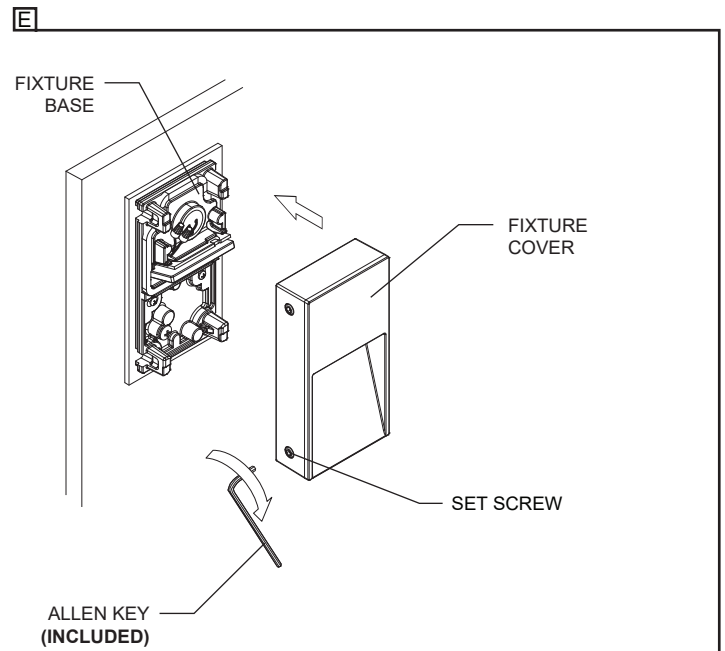
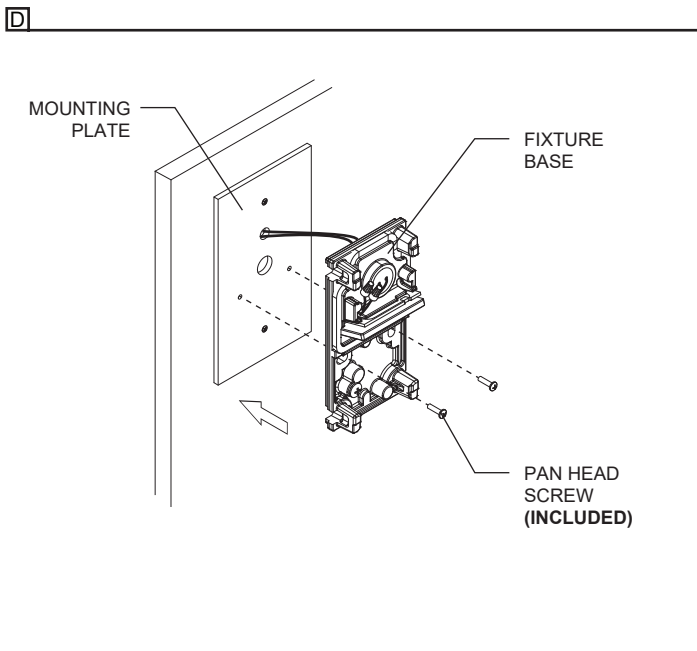
**INSTALLATION WITH 2" JUNCTION BOX - REMOTE DRIVER (J2-REM)**

- A- UNFASTEN THE SET SCREWS WITH THE ALLEN KEY (INCLUDED) TO REMOVE THE FIXTURE COVER FROM THE BASE. DO NOT COMPLETELY REMOVE SCREWS.  
 B- MAKE WIRE CONNECTION (FOLLOWING POLARITY MARKING).  
 C- INSTALL THE MOUNTING PLATE ON THE JUNCTION BOX USING (2) SCREWS (NOT INCLUDED).

-	BLACK
+	RED



- D- SCREW THE FIXTURE BASE TO THE MOUNTING PLATE USING PAN HEAD SCREWS (INCLUDED).  
 E- FASTEN THE FIXTURE COVER ON ITS BASE WITH THE SET SCREWS USING THE ALLEN KEY (INCLUDED).

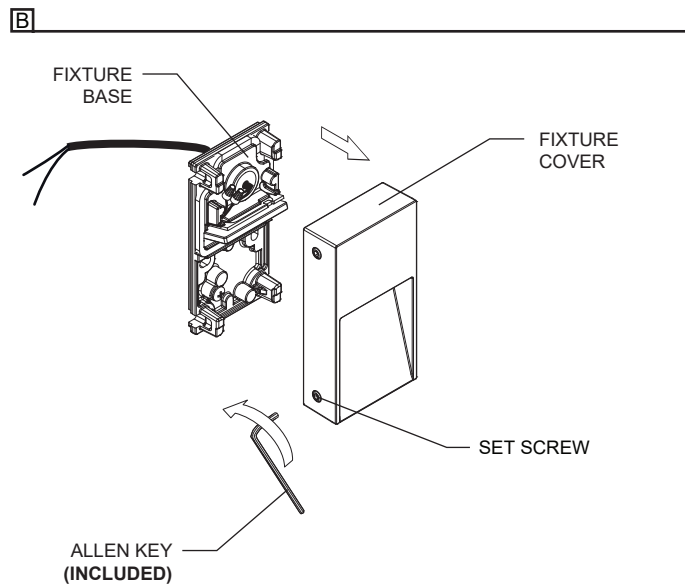
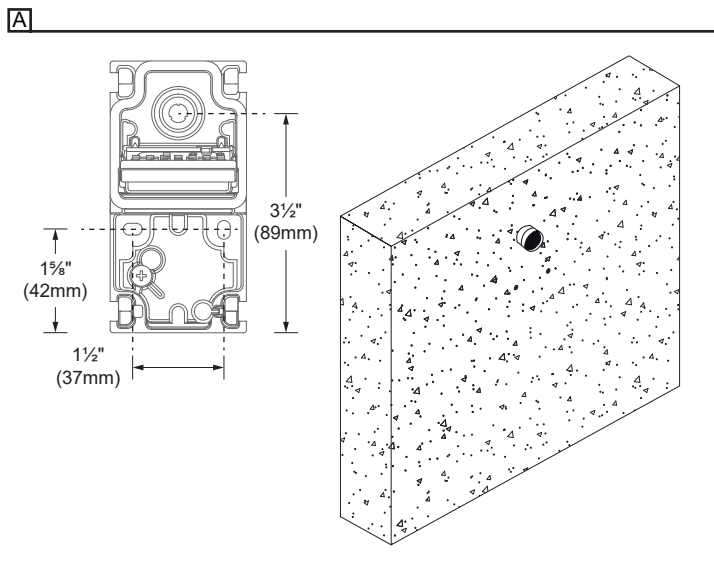


## INSTALLATION WITH FIXTURE WHIP - REMOTE DRIVER (FW-REM)

A- PREPARE SURFACE FOR INSTALLATION USING DIMENSIONS BELOW.

B- UNFASTEN THE SET SCREWS WITH THE ALLEN KEY (INCLUDED) TO REMOVE THE FIXTURE COVER FROM THE BASE. DO NOT COMPLETELY REMOVE SCREWS.

-	BLACK
+	RED



C- MAKE WIRE CONNECTION (FOLLOWING POLARITY MARKING).

D- INSTALL THE FIXTURE BASE TO THE WALL USING APPROPRIATE SCREWS (NOT INCLUDED).

E- FASTEN THE FIXTURE COVER ON ITS BASE WITH THE SET SCREWS USING THE ALLEN KEY (INCLUDED).

