

Collection of specification grade downlights for architectural applications. Excellent build quality with features for the most demanding professional applications. Available in four sizes 3", 4", 5", 6" aperture with generous light outputs and excellent chromatic performance. Professional optics available with directional distribution.

**Luminaire characteristic:**

**Power input:** 9.5 or 13W  
**Lumens:** 585 to 870lm (for 3000K, 80CRI)  
**Luminaire efficacy:** Up to 67lm/W

**Source:** COB LED module (LM-80 tested)  
2700K : 90CRI  
3000K : 80CRI, 90CRI,  
3500K : 80CRI, 90CRI,  
4000K : 80CRI.

**Lumen maintenance:** LM79,  
90% of initial lumens at 50 000 hours (L90),  
80% of initial lumens at 100 000 hours (L80).

**Optic:** **Adjustable:** Deep recessed reflector available with narrow flood or flood optic. Optical assembly hot aiming adjustment: 30° tilt and 359°pan.

**Material:** Body: Die-cast aluminum optical assembly  
Reflector: Metalized polycarbonate  
Baffle: Painted polycarbonate

**Mounting:** Remodel, New construction with plaster frame,  
New construction with housing for insulated ceiling and Chicago plenum  
See page 3 for details.

**Electrical:** Integral high efficiency power supply rated at 50 000 hours, 120V or 277V.

**Dimming:** Compatible with 0-10V or leading and trailing edge dimming (Both dimmable down to 15%)

**Finish:** Powder coated body and baffle. See page 2 for details.

**Weight:** 2.15lbs (0.98kg).

**Warranty:** 5 year limited warranty.

**Rating:** IP54

**Certification:** cULus listed for damp location. Interior use only.



**ORDERING INFO**

**LOG3** - -  
FIXTURE

- **LOG3** - -  
HOUSING



**MODEL**

- R** - Round       **S** - Square

**MOUNTING**

- T** - Trim       **L** - Trimless

**INSTALLATION**

- RF** - Remodeling (No housing)       **NC** - new construction plaster frame       **IC** - Insulated ceiling housing       **CP** - Chicago plenum housing

**OUTPUT**

- B** - Base output (9.5W)       **H** - High output (13W)

**LED**

- 927** - 2700K, 90 CRI       **830** - 3000K, 80 CRI       **835** - 3500K, 80 CRI       **840** - 4000K, 80 CRI<sup>(1)</sup>  
 **930** - 3000K, 90 CRI       **935** - 3500K, 90 CRI

**OPTIC**

- ANF** - Adjustable, Narrow Flood (25°)       **AFL** - Adjustable, Flood (42°)

**VOLTAGE**

- 120** - 120V       **277** - 277V

**FINISH** (trim finish / baffle finish)

- |  |   |  |  |
|--|---|--|--|
| <b>White trim</b>  | <b>Gray trim</b>  | <b>Black trim</b>  | <b>Trimless</b>  |
| <input type="checkbox"/> <b>01</b> - White / white                         | <input type="checkbox"/> <b>20</b> - Gray / white                         | <input type="checkbox"/> <b>23</b> - Black / white                         | <input type="checkbox"/> <b>01</b> - White                         |
| <input type="checkbox"/> <b>21</b> - White / black                         | <input type="checkbox"/> <b>22</b> - Gray / black                         | <input type="checkbox"/> <b>02</b> - Black / black                         | <input type="checkbox"/> <b>02</b> - Black                         |
| <input type="checkbox"/> <b>13</b> - White / matte anodized <sup>(1)</sup> | <input type="checkbox"/> <b>03</b> - Gray / matte anodized <sup>(1)</sup> | <input type="checkbox"/> <b>33</b> - Black / matte anodized <sup>(1)</sup> | <input type="checkbox"/> <b>51</b> - Matte anodized <sup>(1)</sup> |



**DIMMING**

- LTE** - Leading and Trailing edge dimming (120V only) (down to 15%)<sup>(2)(3)</sup>       **D10** - 0-10V (down to 15%)<sup>(2)</sup>

<sup>(1)</sup> May require a longer lead time than standard. Please contact customer service for details.  
<sup>(2)</sup> Dimming levels will vary depending the dimmer used and the number of luminaires on the line.  
<sup>(4)</sup> Available for daisy chain connections.

**ACCESSORY**  
(TO BE ORDERED SEPARATELY)

- 9000-02** - Black hex cell louver



**INSTALLATION**

**Remodel (RF)**

For new or existing ceiling. Suitable for non-insulated ceiling like sheetrock or paneling. Trimless frame kit can be shipped separately.

**Minimum ceiling clearance:**

Trim: 5½" (140mm)

Trimless: 8" (203mm)

**Ceiling thickness:** ½" - 1" (3 - 27mm)

**Total weight:** 2.15lbs (0.98kg)

**Cut-out:**

Round: Trim: Ø 2¾" (Ø 71mm)

Trimless: Ø 2⅞" (Ø 73mm)

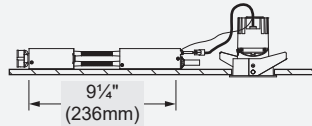
Square: Trim: 2⅞" x 2⅞" (69 x 69mm)

Trimless: 2¾" x 2¾" (71 x 71mm)

**Trimless frame kit codes:**

Round: TK-LOG3RL-RF

Square: TK-LOG3SL-RF



**New construction with plaster frame (NC)**

Plaster frame with hanger bars system to be installed during rough-in phase. Suitable for non-insulated new construction ceiling assemblies, like sheetrock, acoustic tiles, or paneling. Housing and trim can be shipped separately.

**Minimum ceiling clearance:**

Trim: 5½" (140mm)

Trimless: 8" (203mm)

**Ceiling thickness:** ½" - 1" (3 - 27mm)

**Total weight:** 3.35lbs (1.52kg)

**Cut-out:**

Round: Trim: Ø 2¾" (Ø 71mm)

Trimless: Ø 2⅞" (Ø 73mm)

Square: Trim: 2⅞" x 2⅞" (69 x 69mm)

Trimless: 2¾" x 2¾" (71 x 71mm)

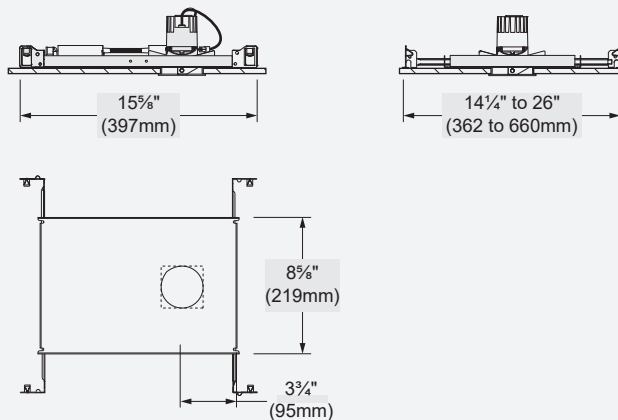
**Plaster frame codes:**

Round: Trim: BN-LOG3RT-NC

Trimless: BN-LOG3RL-NC

Square: Trim: BN-LOG3ST-NC

Trimless: BN-LOG3SL-NC



**New construction with housing suitable for insulated ceiling (IC) or Chicago plenum (CP)**

Housing with hanger bars system for new construction installations. Suitable for insulated ceiling or Chicago Plenum applications. Housing and trim can be shipped separately.

**Minimum ceiling clearance:** 7¼" (183mm)

**Ceiling thickness:** ½" - 1" (3 - 27mm)

**Total weight:** 10.25lbs (4.65kg)

**Cut-out:**

Round: Trim: Ø 2¾" (Ø 71mm)

Trimless: Ø 2⅞" (Ø 73mm)

Square: Trim: 2⅞" x 2⅞" (69 x 69mm)

Trimless: 2¾" x 2¾" (71 x 71mm)

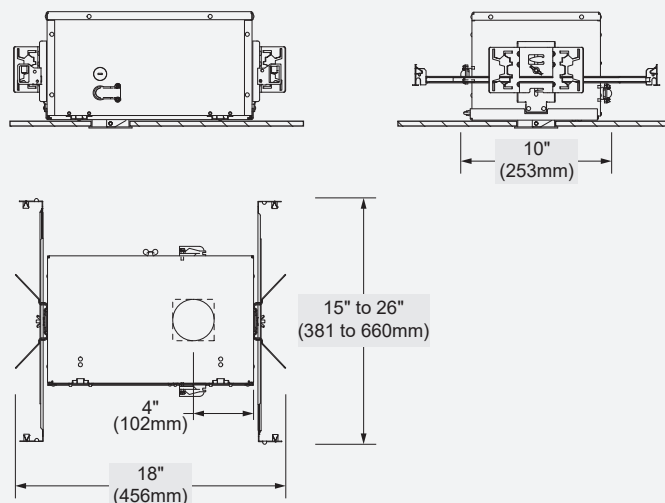
**Housing codes:**

Round: Trim: BI-LOG3RT-IC/CP-XXX

Trimless: BI-LOG3RL-IC/CP-XXX

Square: Trim: BI-LOG3ST-IC/CP-XXX

Trimless: BI-LOG3SL-IC/CP-XXX

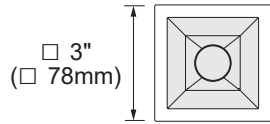


**MODEL**

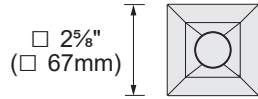
**TRIM**



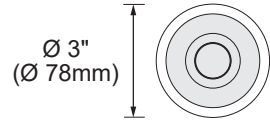
**ADJUSTABLE**



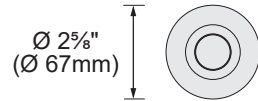
**TRIMLESS**



**TRIM**

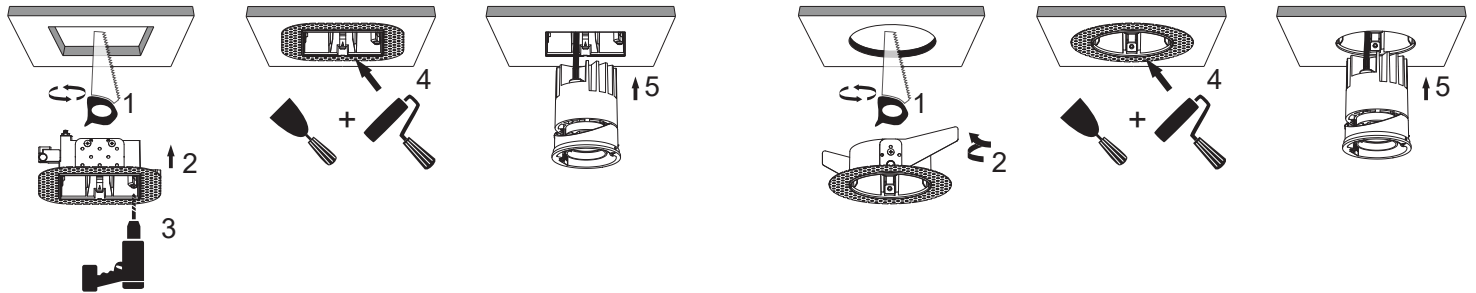


**TRIMLESS**



**TRIMLESS FRAME KIT**

**Trimless frame kit** to be fastened to the gypsum board. The assembly is then finished by plastering, sanding and painting. Install the luminaire inside the opening once painting is completed. The kit is sold separately for retrofit installation or supplied with the plaster frame or the housing for new construction installations.



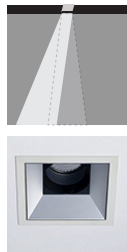
**LED COLOR FIDELITY DATA**

CRI	CCT	R1	R2	R3	R4	R5	R6	R7	R8	R9	R10	R11	R12	R13	R14	R15	Rf	Rg	Melanopic ratio
80	3000K	81	92	96	81	82	90	82	58	5	82	81	73	84	98	-	85	95	0.528
	3500K	82	91	96	82	82	89	84	62	8	80	81	68	85	99	-	85	95	0.609
	4000K	82	91	96	82	83	87	86	65	11	78	82	65	85	98	-	85	95	0.694
90	2700K	94	98	99	94	95	98	91	82	61	95	96	88	96	99	-	93	99	0.497
	3000K	94	97	99	94	94	96	93	83	62	92	95	84	95	99	-	93	99	0.563
	3500K	93	96	98	93	93	95	93	84	62	90	94	78	94	98	-	92	98	0.642

**PHOTOMETRIC DATA**

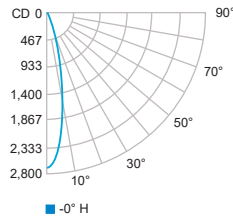
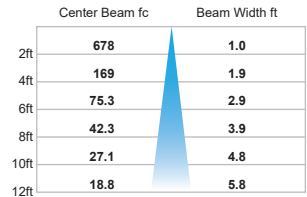
Visit [sistemalux.com](http://sistemalux.com) for complete photometric data.

**ADJUSTABLE**

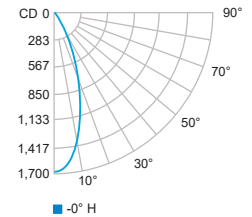
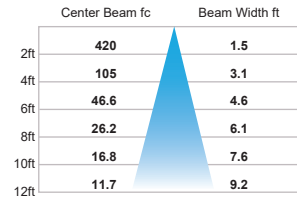


CCT (K)	CRI	OUTPUT	LOAD (W)	OPTIC	LUMENS (lm)	EFFICACY (lm / w)	MAX CANDELA (cd)
3000K	80	BO	9.5W	Narrow Flood (25°)	585	61	1 975
				Flood (42°)	635	66	1 220
		HO	13W	Narrow Flood (25°)	800	61	2 710
				Flood (42°)	870	67	1 675

**Narrow Flood 25° 13W (3000K, 80 CRI)**



**Flood 42° 13W (3000K, 80 CRI)**



**\*USE MULTIPLIER TABLE FOR OTHER CCT AND CRI OUTPUT DATA**

CCT options	2700K	3000K	3000K	3500K	3500K	4000K
CRI options	90CRI	80CRI	90CRI	80CRI	90CRI	80CRI
<b>Multiplier</b>	<b>0.77</b>	<b>1</b>	<b>0.81</b>	<b>1.01</b>	<b>0.83</b>	<b>1.02</b>