

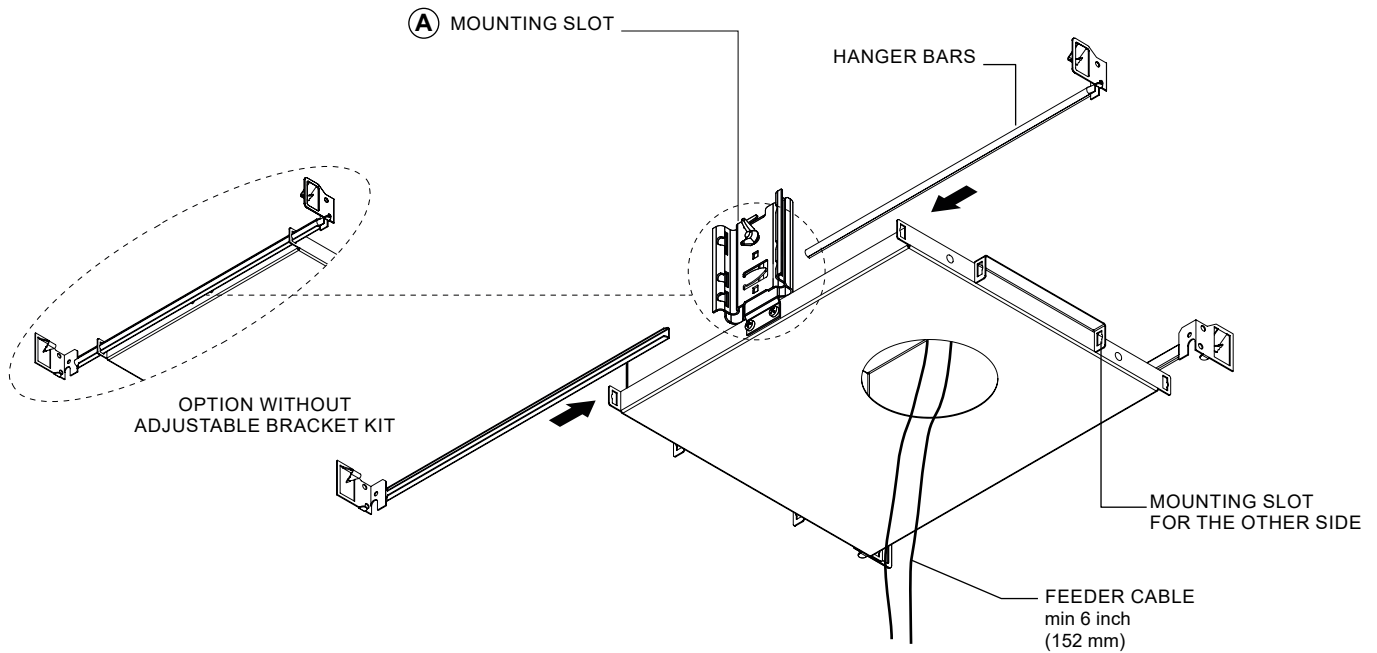
IMPORTANT - READ CAREFULLY BEFORE INSTALLING FIXTURE. RETAIN THESE INSTRUCTIONS FOR FUTURE REFERENCE. THIS PRODUCT MUST BE INSTALLED IN ACCORDANCE WITH THE NATIONAL ELECTRICAL CODE AND ALL APPLICABLE LOCAL CODES, BY A PERSON FAMILIAR WITH THE CONSTRUCTION AND OPERATION OF THE PRODUCT, AND THE HAZARDS INVOLVED. PROPER GROUNDING IS REQUIRED FOR SAFETY.

NEW CONSTRUCTION PLASTER FRAME INSTALLATION (NC) - REMOTE

PAGE 1-2

- A.** LEAVE AT LEAST 6" (152mm) OF FEEDER CABLE ACCESSIBLE FROM UNDER THE CEILING. ENSURE THAT THE FEED CABLE IS SECURELY FASTENED USING AN ARMORED CABLE (E.G., BX CABLE & CONNECTOR, **NOT INCLUDED**) OR A SUITABLE STRAIN RELIEF CONNECTOR (**NOT INCLUDED**).
- B.** ENGAGE (4) HANGER BARS IN HOUSING SLOTS AVAILABLE AND CONNECT THEM TOGETHER.

A + B

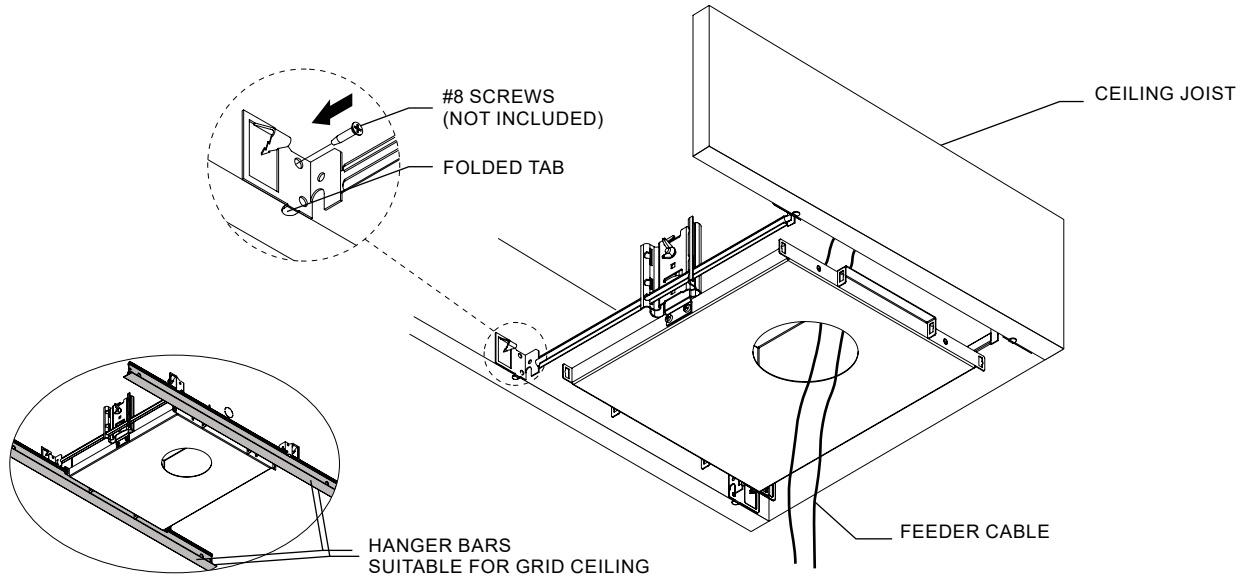


TRIM & TRIMLESS MODELS : LOGP4 - R / S - NC - REMOTE

C. FASTEN HANGER BARS TO CEILING BRACE WITH #8 SCREWS (**NOT INCLUDED**). USE THE SMALL FOLDED TAB AT THE END OF THE BARS TO ALIGN WITH THE CEILING JOISTS. HANGER BARS ARE ALSO SUITABLE FOR GRID CEILING. LEAVE AT LEAST 6" (152mm) OF FEEDER CABLE ACCESSIBLE FROM UNDER THE CEILING.

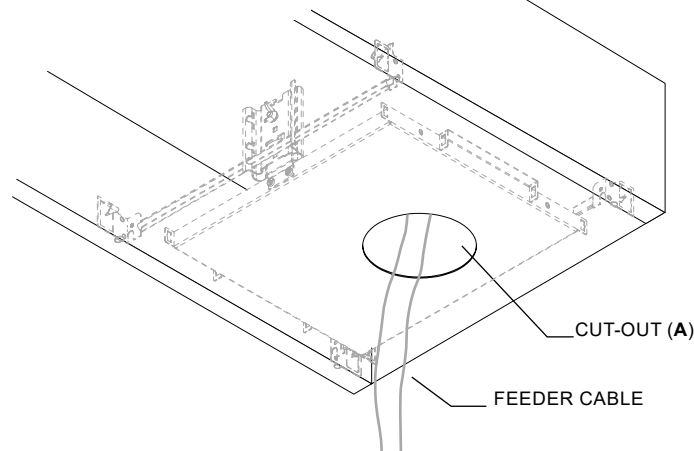
D. INSTALL THE DRYWALL AND MAKE THE CUT-OUT OPENING (**SEE DIMENSIONS BELOW**).

C



D

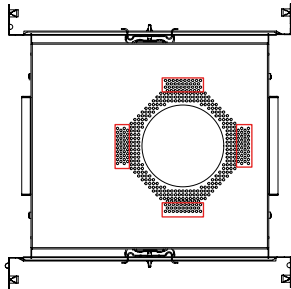
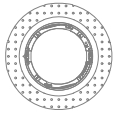
MODEL	SHAPE	MOUNTING	PLASTER FRAME	CUT-OUT DIMENSIONS (A)	CEILING THICKNESS	CLEARANCE (H)	
						LOGP4	LOGP4H
LOGP4R LOGP4HR	ROUND	TRIM	BN-LOGP4RT-NC-REM	Ø4" (Ø100mm)	1/16" - 1/8" (1-24mm)	7 1/8" (180mm)	8 1/8" (207mm)
		TRIMLESS MUD	BN-LOGP4RL-NC-REM	Ø4 1/8" (Ø105mm)	1/16" - 1/8" (1-24mm)		
		TRIMLESS MILLWORK	BN-LOGP4RM-NC-REM		1/2" - 1 1/8" (12.5-24mm)		
LOGP4S LOGP4HS	SQUARE	TRIM	BN-LOGP4ST-NC-REM	□3 1/8" (□97mm)	1/16" - 1/8" (1-24mm)	7 1/8" (180mm)	8 1/8" (207mm)
		TRIMLESS MUD	BN-LOGP4SL-NC-REM	□3 3/8" (□99mm)	1/16" - 1/8" (1-24mm)		
		TRIMLESS MILLWORK	BN-LOGP4SM-NC-REM	□3 1/8" (□97mm)	1/2" - 1 1/8" (12.5-24mm)		



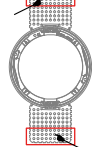
TRIMLESS KIT INSTALLATION (Before Fixture Installation if applicable)

PAGE 3

ROUND TRIMLESS MUD

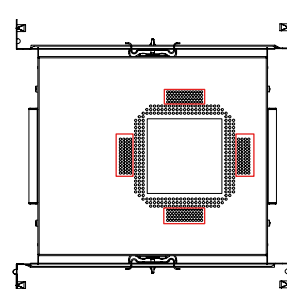
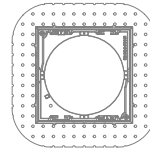


ROUND TRIMLESS MILLWORK

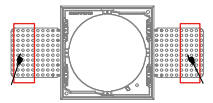


- CHECK THE DIRECTION
- CHECK BOTH SIDES FOR SCREW FIX

SQUARE TRIMLESS MUD



SQUARE TRIMLESS MILLWORK



- CHECK THE DIRECTION
- CHECK BOTH SIDES FOR SCREW FIX

⚠ IMPORTANT: INSTALL TRIMLESS KIT IN THE CORRECT ORIENTATION TO ALLOW THE DRIVER TO PASS THROUGH AND FIT INSIDE THE INSULATION BOX.

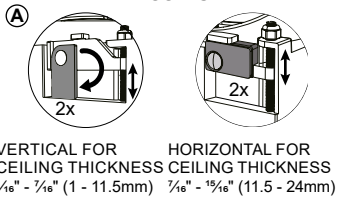
ROUND / SQUARE TRIMLESS MUD:

- CHOOSE THE BRACKET DIRECTION (VERTICAL OR HORIZONTAL) DEPENDING ON THE CEILING THICKNESS.
- INSERT THE TRIMLESS KIT INTO THE CEILING. TO HOLD THE KIT IN THE CEILING, ADJUST THE (2X) FIXATION BRACKET ADJUSTMENT SCREWS WITH A DRILL (**RECOMMENDED**).
* THE BRACKETS WILL OPEN AUTOMATICALLY WHILE SCREWING.
** FOR BETTER FIXATION (IF NEEDED), SECURE THE TRIMLESS KIT TO THE CEILING USING (2X) #6 SCREWS (**NOT INCLUDED**)
- FINISH THE ASSEMBLY BY PLASTERING, SANDING AND PAINTING.

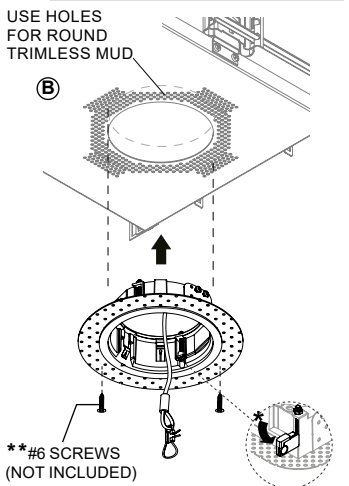
ROUND / SQUARE TRIMLESS MILLWORK:

- ADJUST BRACKET POSITION DEPENDING ON THE CEILING THICKNESS.
- POSITION THE TRIMLESS KIT IN THE CEILING
- SECURE THE TRIMLESS KIT TO THE CEILING USING (2X) #6 SCREWS (**NOT INCLUDED**).
- FINISH THE ASSEMBLY BY PLASTERING, SANDING AND PAINTING.

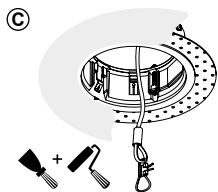
ROUND TRIMLESS MUD



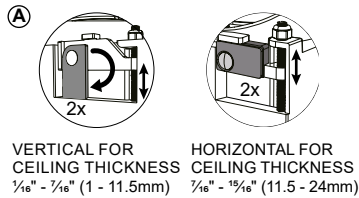
VERTICAL FOR CEILING THICKNESS $\frac{1}{8}'' - \frac{3}{8}''$ (1 - 11.5mm)
HORIZONTAL FOR CEILING THICKNESS $\frac{3}{8}'' - \frac{1}{2}''$ (11.5 - 24mm)



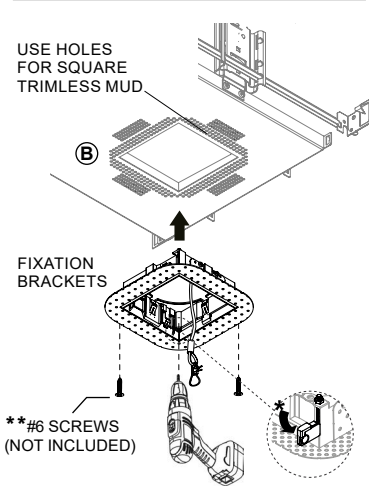
**#6 SCREWS (NOT INCLUDED)



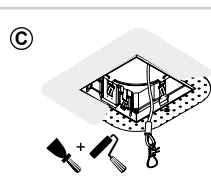
SQUARE TRIMLESS MUD



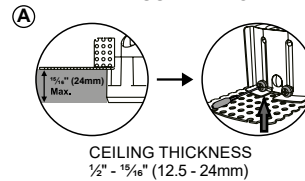
VERTICAL FOR CEILING THICKNESS $\frac{1}{8}'' - \frac{3}{8}''$ (1 - 11.5mm)
HORIZONTAL FOR CEILING THICKNESS $\frac{3}{8}'' - \frac{1}{2}''$ (11.5 - 24mm)



**#6 SCREWS (NOT INCLUDED)

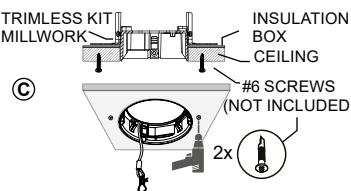
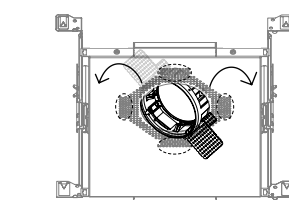


ROUND TRIMLESS MILLWORK

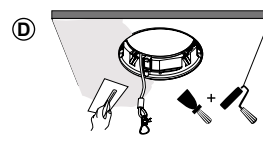


CEILING THICKNESS $\frac{1}{2}'' - \frac{1}{4}''$ (12.5 - 24mm)

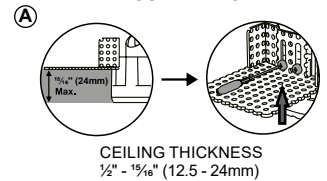
- PLACE THE TRIMLESS KIT INSIDE THE INSULATION BOX USE ONE OF TWO DIRECTIONS FOR ROUND TRIMLESS MILLWORK



#6 SCREWS (NOT INCLUDED)

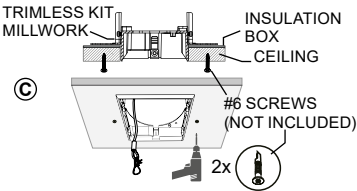
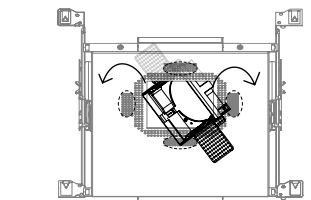


SQUARE TRIMLESS MILLWORK

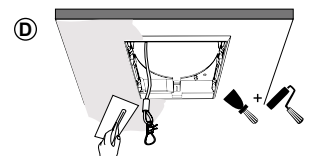


CEILING THICKNESS $\frac{1}{2}'' - \frac{1}{4}''$ (12.5 - 24mm)

- PLACE THE TRIMLESS KIT INSIDE THE INSULATION BOX USE ONE OF TWO DIRECTIONS FOR SQUARE TRIMLESS MILLWORK



#6 SCREWS (NOT INCLUDED)



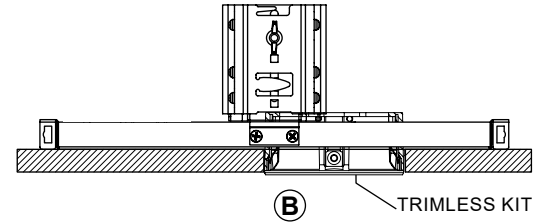
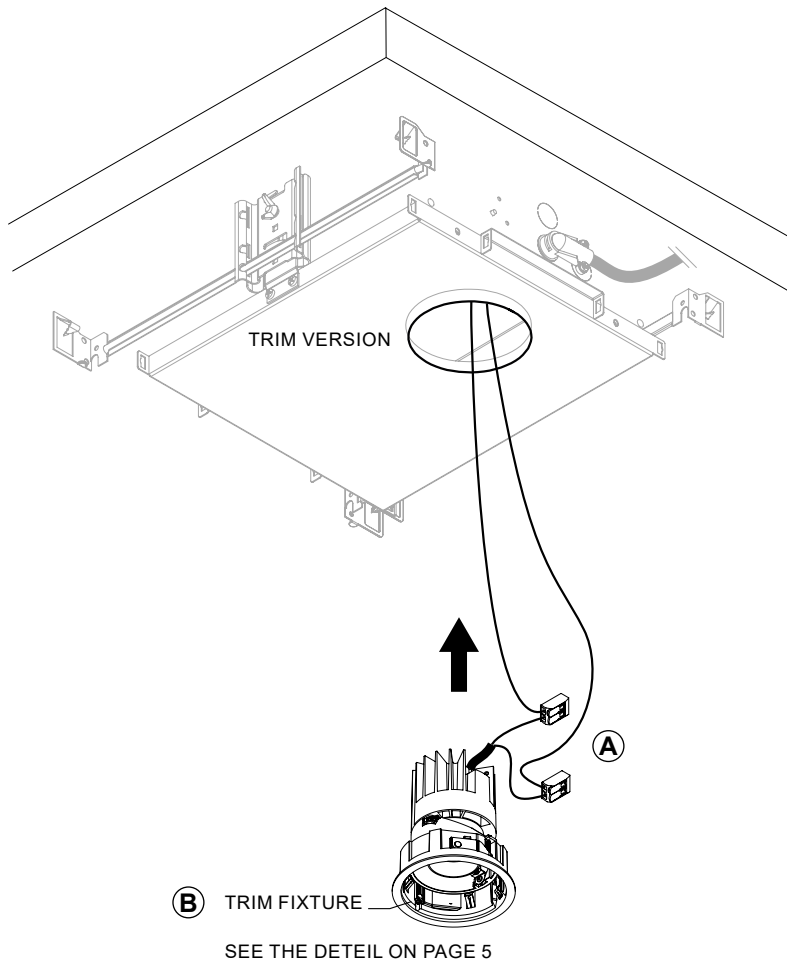
FIXTURE CONNECTION

PAGE 4-6

- A. MAKE ALL NECESSARY CONNECTIONS USING THE QUICK CONNECTORS (INCLUDED).
- B. SEE THE DETAIL ON PAGE 5 FOR EACH CONFIGURATION.

A + B

FEED BY CLASS 2 POWER SUPPLY



WIRING DIAGRAM



TRIM VERSION (ROUND / SQUARE)

- C.** CHOOSE THE BRACKET DIRECTION (**VERTICAL OR HORIZONTAL**) DEPENDING ON THE CEILING THICKNESS. INSERT THE TRIM KIT INTO THE CEILING. TO HOLD THE KIT IN THE CEILING, ADJUST THE **(2X)** FIXATION BRACKET ADJUSTMENT SCREWS WITH A DRILL (**RECOMMENDED**).
* THE BRACKETS WILL OPEN AUTOMATICALLY WHILE SCREWING.

- C.** CHOOSE THE BRACKET DIRECTION (**VERTICAL OR HORIZONTAL**) DEPENDING ON THE CEILING THICKNESS. INSERT THE TRIM KIT INTO THE CEILING. TO HOLD THE KIT IN THE CEILING, ADJUST THE **(2X)** FIXATION BRACKET ADJUSTMENT SCREWS WITH A DRILL (**RECOMMENDED**).
* THE BRACKETS WILL OPEN AUTOMATICALLY WHILE SCREWING.

C **ROUND MODEL**

ROUND TRIMLESS MUD

VERTICAL FOR CEILING THICKNESS $\frac{1}{8}'' - \frac{1}{4}''$ (1 - 11.5mm)
HORIZONTAL FOR CEILING THICKNESS $\frac{7}{16}'' - \frac{1}{4}''$ (11.5 - 24mm)

ROUND TRIMLESS MILLWORK

CEILING THICKNESS $\frac{1}{2}'' - \frac{1}{4}''$ (12.5 - 24mm)

FIXATION BRACKETS
FIXATION BRACKET ADJUSTMENT SCREW

C **SQUARE MODEL**

SQUARE TRIMLESS MUD

VERTICAL FOR CEILING THICKNESS $\frac{1}{8}'' - \frac{1}{4}''$ (1 - 11.5mm)
HORIZONTAL FOR CEILING THICKNESS $\frac{7}{16}'' - \frac{1}{4}''$ (11.5 - 24mm)

SQUARE TRIMLESS MILLWORK

CEILING THICKNESS $\frac{1}{2}'' - \frac{1}{4}''$ (12.5 - 24mm)

FIXATION BRACKETS
FIXATION BRACKET ADJUSTMENT SCREW

TRIMLESS VERSION (ROUND / SQUARE – THE INSTALLATION DETAIL ON PAGE 3)

- * ENSURE THE TRIMLESS KIT IS PROPERLY INSTALLED (SEE PAGE 3)
- * FOLLOWING STEPS **A** TO **B** FROM PREVIOUS PAGE
- C.** INSERT LIGHTING MODULE INTO THE FRAME KIT UNTIL IT CLICKS IN PLACE.

C

TRIMLESS-FRAME KIT
CLICK
LIGHTING MODULE

OPTICAL ADJUSTMENT AND FINAL ASSEMBLY

- A. THE OPTICAL ORIENTATION CAN CHANGE FOR 30° (IF NECESSARY).
- B. INSERT THE BAFFLE INTO THE TRIM UNTIL IT CLICKS INTO PLACE.

