

# POCKET REMOTE

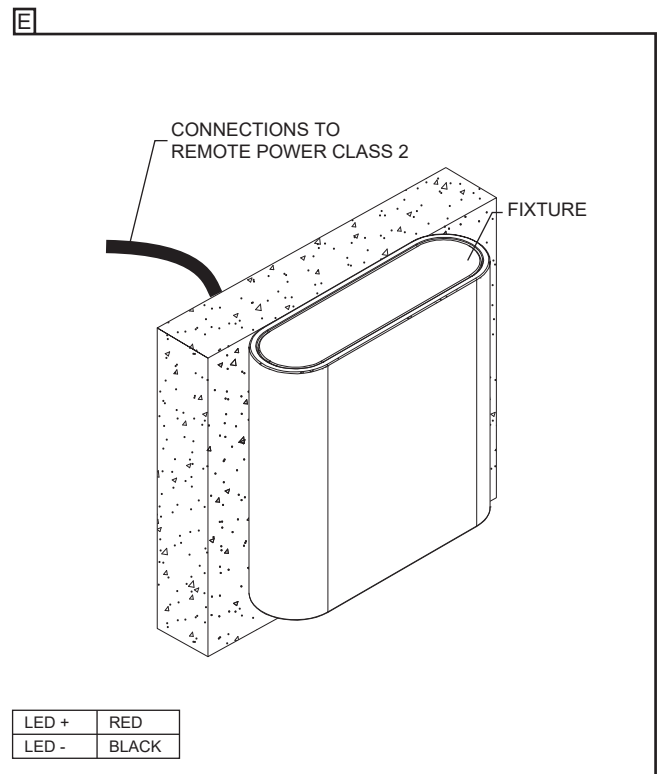
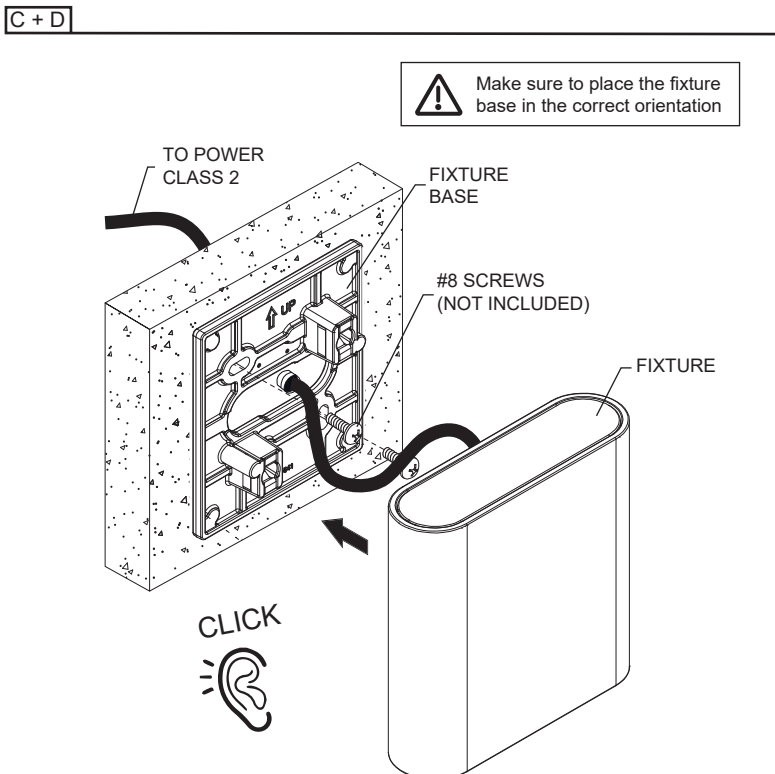
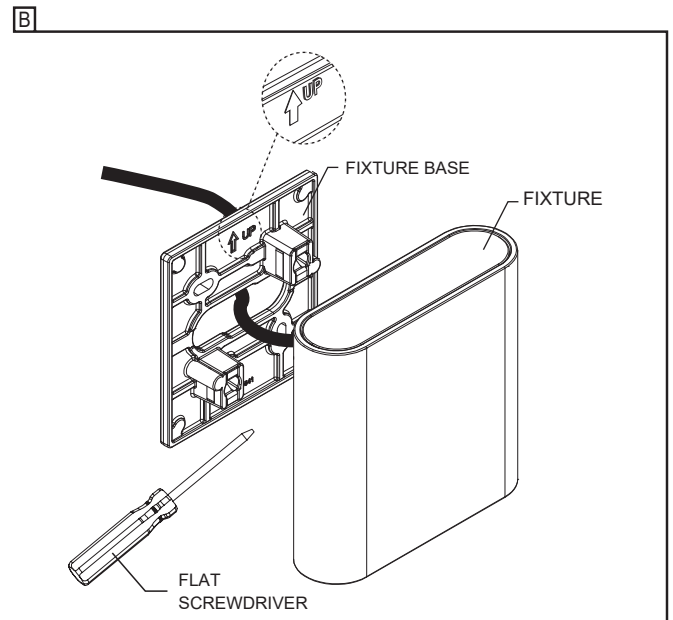
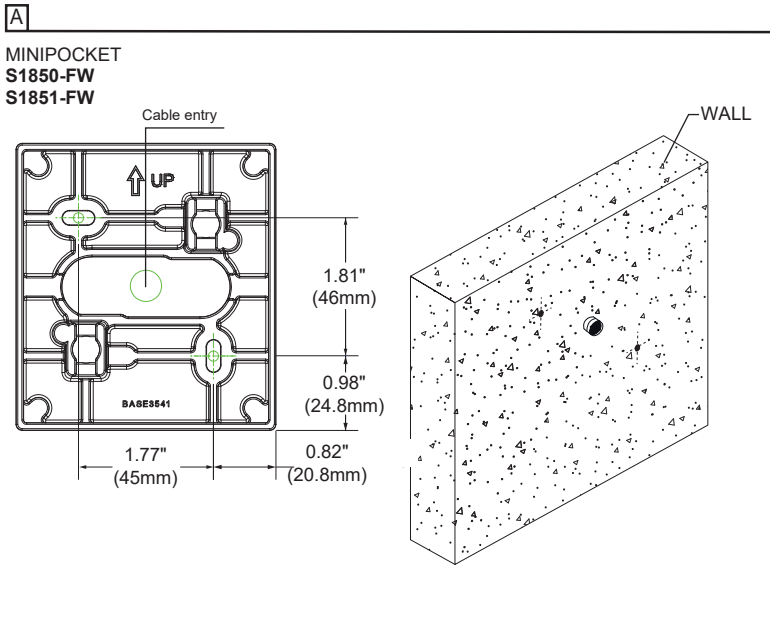
MODEL: S1850, S1851, S1880, S1881

**IMPORTANT** - READ CAREFULLY BEFORE INSTALLING FIXTURE. RETAIN THESE INSTRUCTIONS FOR FUTURE REFERENCE. THIS PRODUCT MUST BE INSTALLED IN ACCORDANCE WITH THE NATIONAL ELECTRICAL CODE AND ALL APPLICABLE LOCAL CODES, BY A PERSON FAMILIAR WITH THE CONSTRUCTION AND OPERATION OF THE PRODUCT, AND THE HAZARDS INVOLVED.

**⚠ DISCONNECT THE MAIN LINE BEFORE WIRING SECONDARY CONNECTORS.**

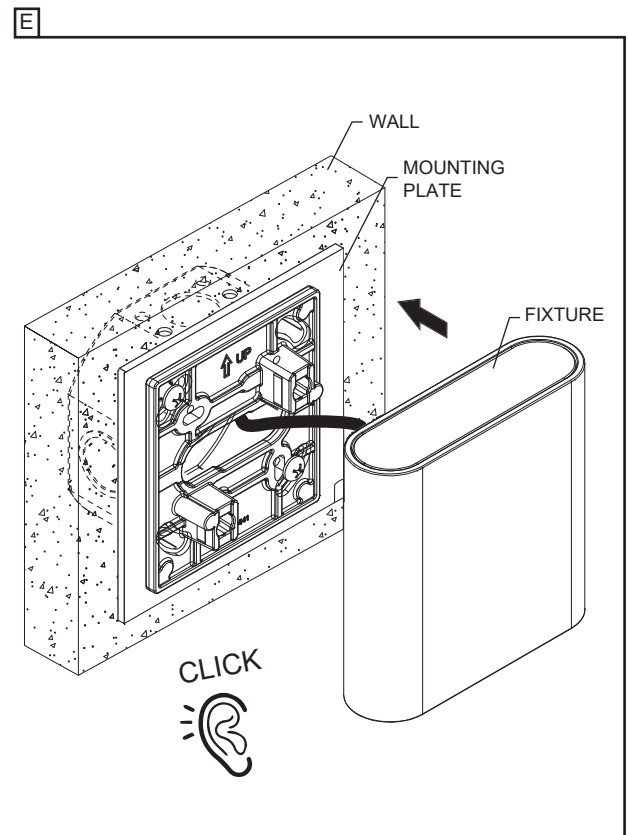
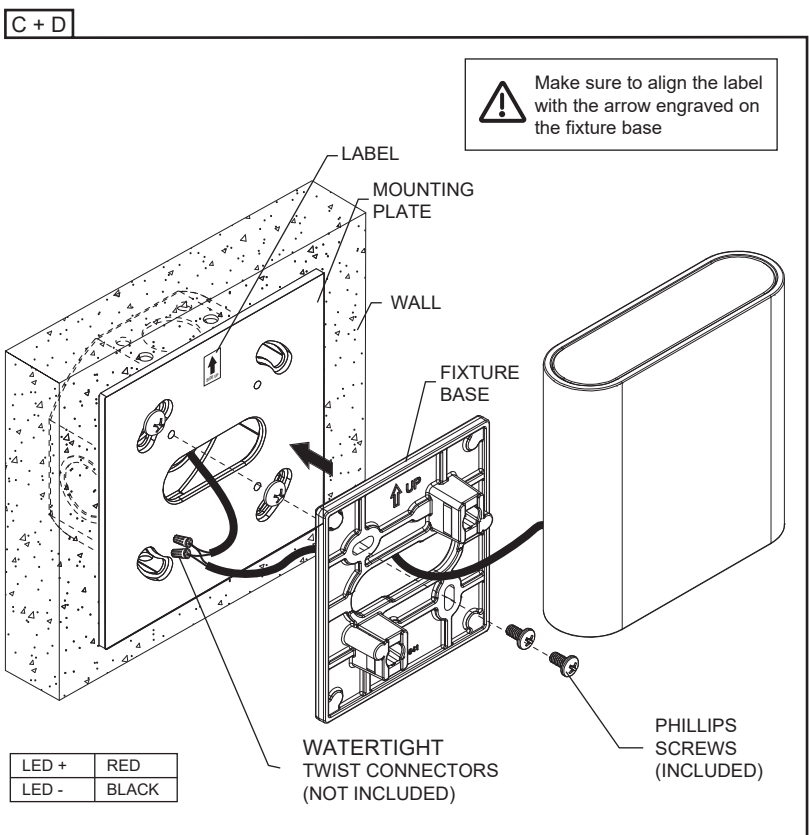
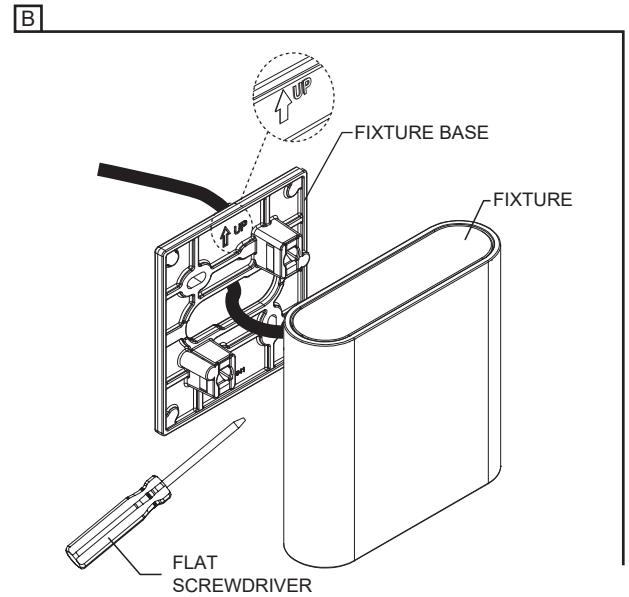
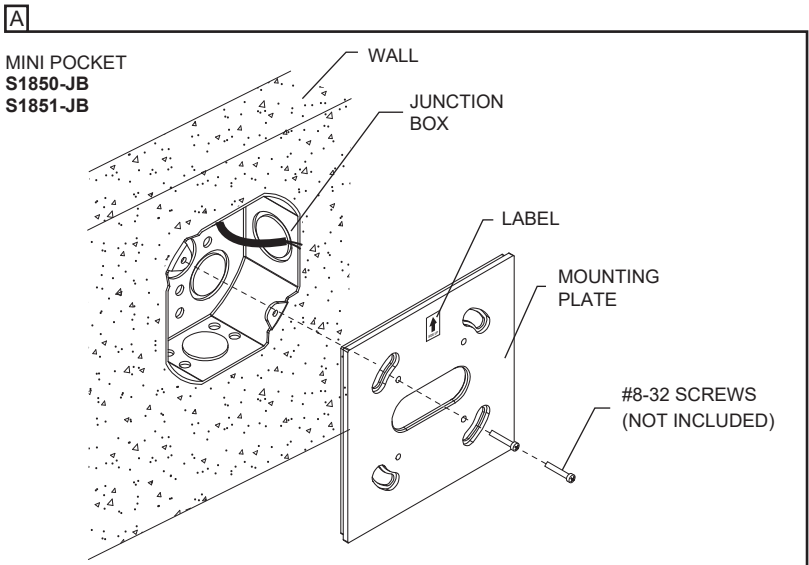
## SURFACE INSTALLATION WITH FIXTURE WHIP TO REMOTE DRIVER (FW-REM)

- A- PREPARE INSTALLATION SURFACE (SEE DIMENSIONS BELOW). DRILL HOLES FOR TO THE FIXTURE BASE AND CABLE.
- B- UNCLIP THE BASE FROM THE FIXTURE WITH A FLAT SCREWDRIVER.
- C- SECURE THE BASE TO THE SURFACE USING APPROPRIATE ANCHORS AND SCREWS (2 X #8, **NOT INCLUDED**).
- D- PASS THE WIRE TO THE REMOTE POWER CLASS 2 (**NOT INCLUDED**). CLIP THE FIXTURE TO THE BASE.
- E- MAKE WIRE CONNECTIONS, RED (+), BLACK (-), TO THE REMOTE POWER CLASS 2 USING TWIST CONNECTORS (**NOT INCLUDED**).



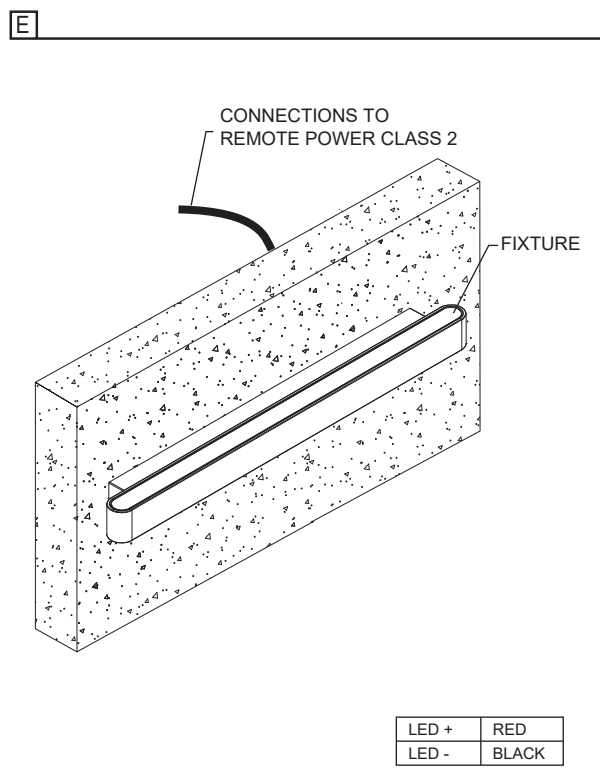
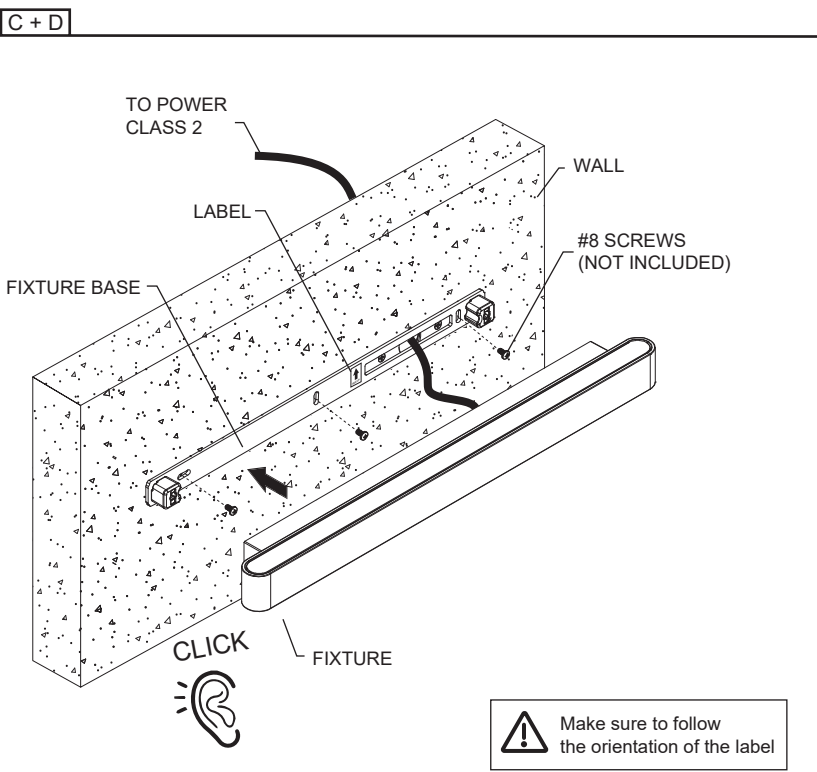
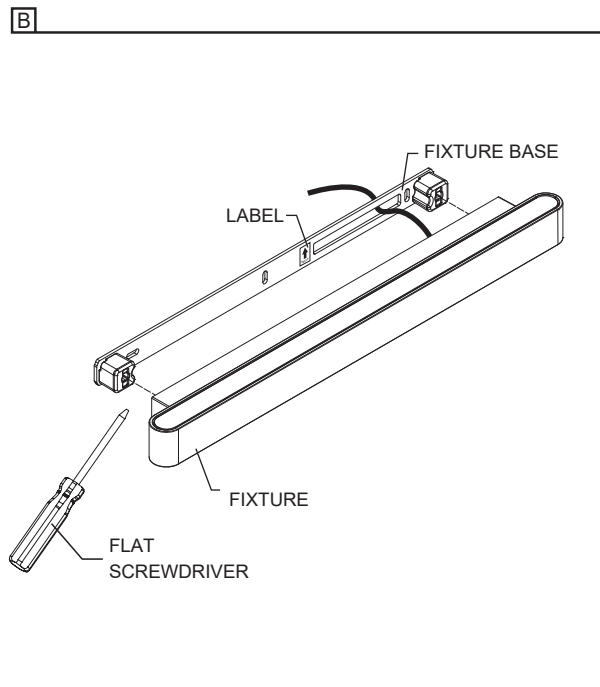
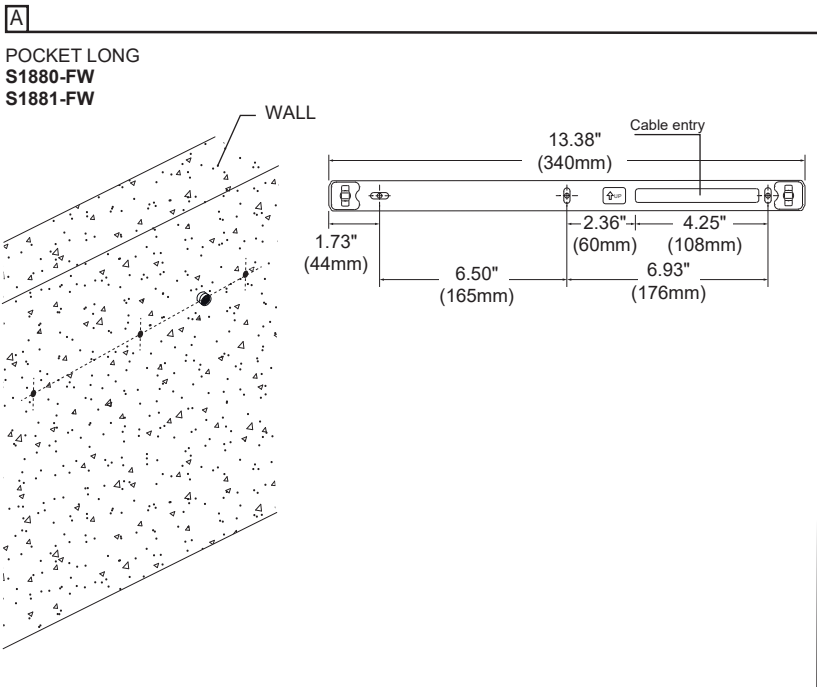
## 4" JUNCTION BOX INSTALLATION WITH REMOTE DRIVER (JB-REM)

- A- INSTALL THE MOUNTING PLATE ON THE JUNCTION BOX USING 2 PAN SCREWS #8-32 (NOT INCLUDED)
- B- UNCLIP THE BASE FROM THE FIXTURE WITH A FLAT SCREWDRIVER.
- C- FASTEN THE BASE ON THE MOUNTING PLATE USING 2 PHILLIPS SCREWS (INCLUDED).
- D- MAKE WIRE CONNECTIONS, RED (+), BLACK (-), USING WATERTIGHT TWIST CONNECTORS (NOT INCLUDED).  
ONCE CONNECTED, PUSH THE WIRES BACK INTO THE JUNCTION BOX.
- E- CLIP THE FIXTURE TO THE BASE.



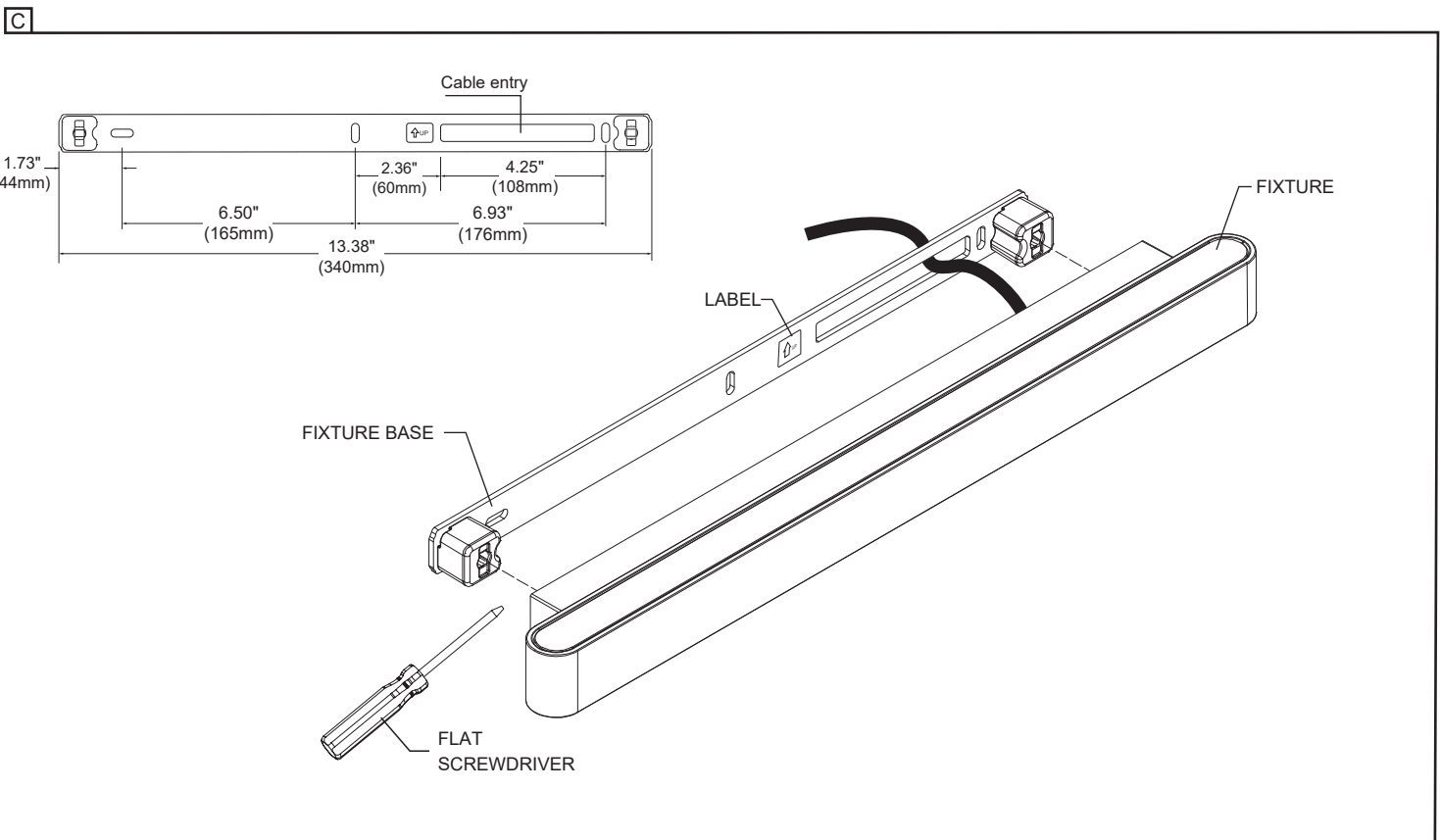
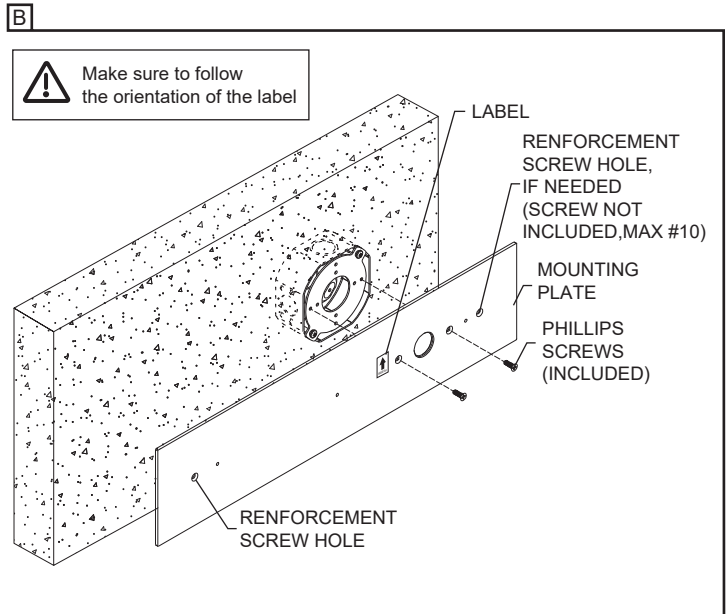
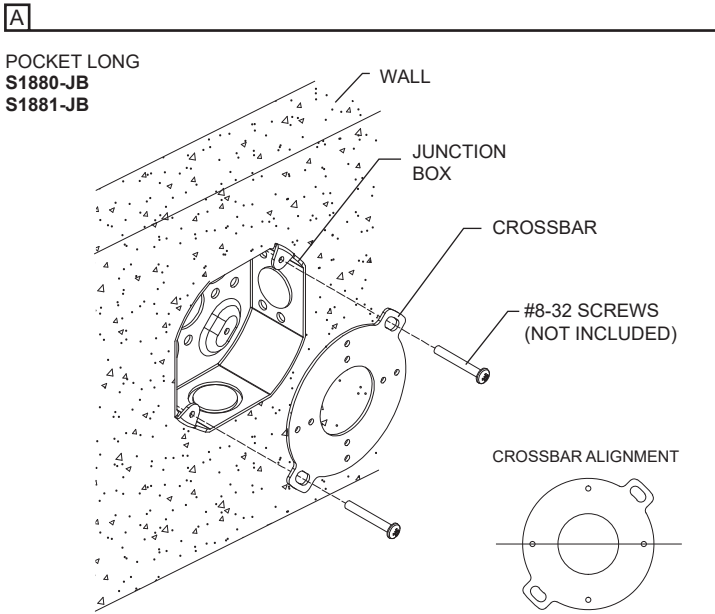
## SURFACE INSTALLATION WITH FIXTURE WHIP TO REMOTE DRIVER (FW-REM)

- A- PREPARE INSTALLATION SURFACE (SEE DIMENSIONS BELOW). DRILL HOLES FOR TO FIXTURE BASE AND CABLE.
- B- UNCLIP THE BASE FROM THE FIXTURE WITH A FLAT SCREWDRIVER.
- C- SECURE THE BASE TO THE SURFACE USING APPROPRIATE ANCHORS AND SCREWS (**3 X #8, NOT INCLUDED**).
- D- PASS THE WIRE TO THE REMOTE POWER CLASS 2 (**NOT INCLUDED**). CLIP THE FIXTURE TO THE BASE.
- E- MAKE WIRE CONNECTIONS, RED (+), BLACK (-), TO THE REMOTE POWER CLASS 2 USING TWIST CONNECTORS (**NOT INCLUDED**).



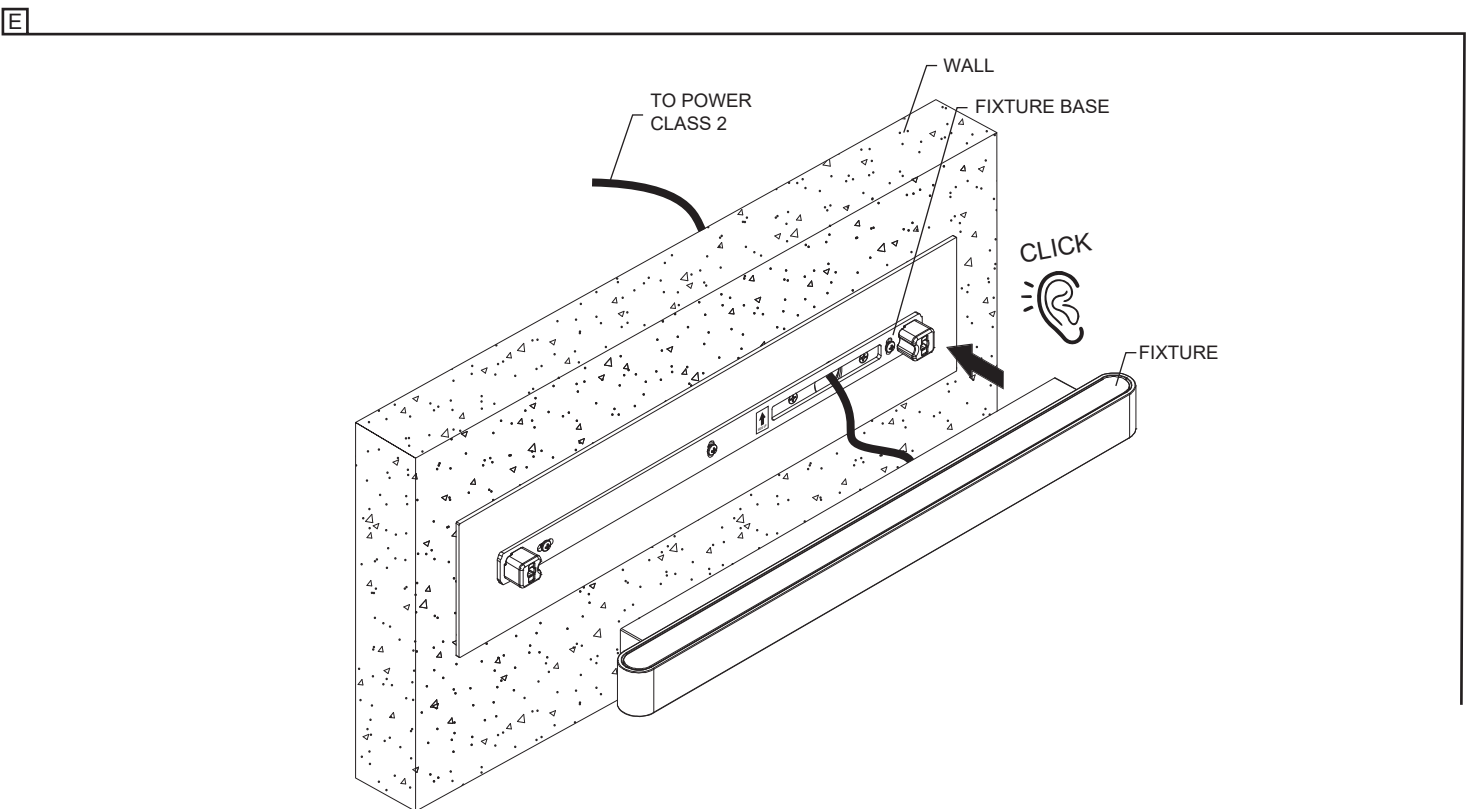
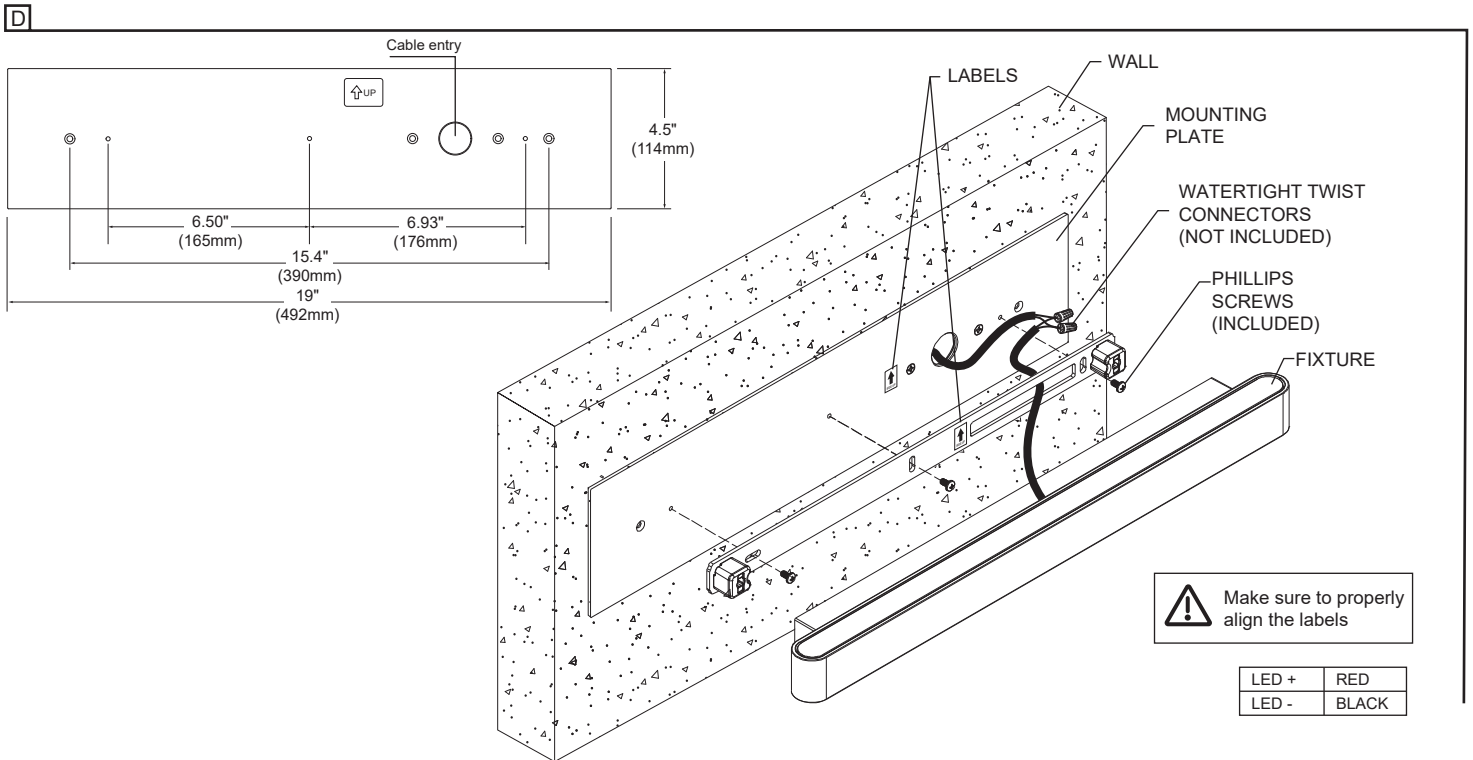
**4" JUNCTION BOX INSTALLATION WITH REMOTE DRIVER (JB-REM)**

- A- INSTALL THE CROSSBAR ON THE JUNCTION BOX USING 2 PAN SCREWS #8-32. **(NOT INCLUDED)**
- B- INSTALL THE MOUNTING PLATE ON THE CROSSBAR USING 2 PHILLIPS SCREWS. **(INCLUDED)**.  
USE 2 REINFORCEMENT SCREWS IF NECESSARY.
- C- UNCLIP THE BASE FROM THE FIXTURE WITH A FLAT SCREWDRIVER.



**4" JUNCTION BOX INSTALLATION WITH REMOTE DRIVER (JB-REM)**

- D- FIX THE BASE ON THE MOUNTING PLATE USING 3 PHILLIPS SCREWS (**INCLUDED**) AND MAKE WIRES CONNECTIONS, RED (+), BLACK (-), USING WATERTIGHT TWIST CONNECTORS (**NOT INCLUDED**), ONCE CONNECTED, PUSH THE WIRES BACK INTO THE JUNCTION BOX.
- E- CLIP THE FIXTURE TO THE BASE.

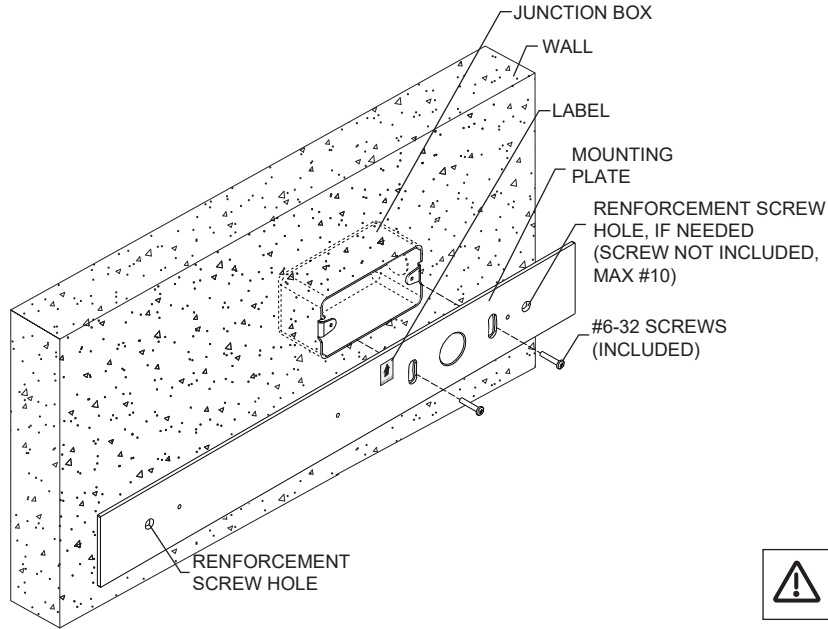



**J2 JUNCTION BOX INSTALLATION WITH REMOTE DRIVER (J2-REM)**

- A- INSTALL THE MOUNTING PLATE ON THE JUNCTION BOX USING 2 X #6-32 PHILLIPS SCREWS (INCLUDED).  
USE 2 REINFORCEMENT SCREWS IF NECESSARY.
- B- UNCLIP THE BASE FROM THE FIXTURE WITH A FLAT SCREWDRIVER.

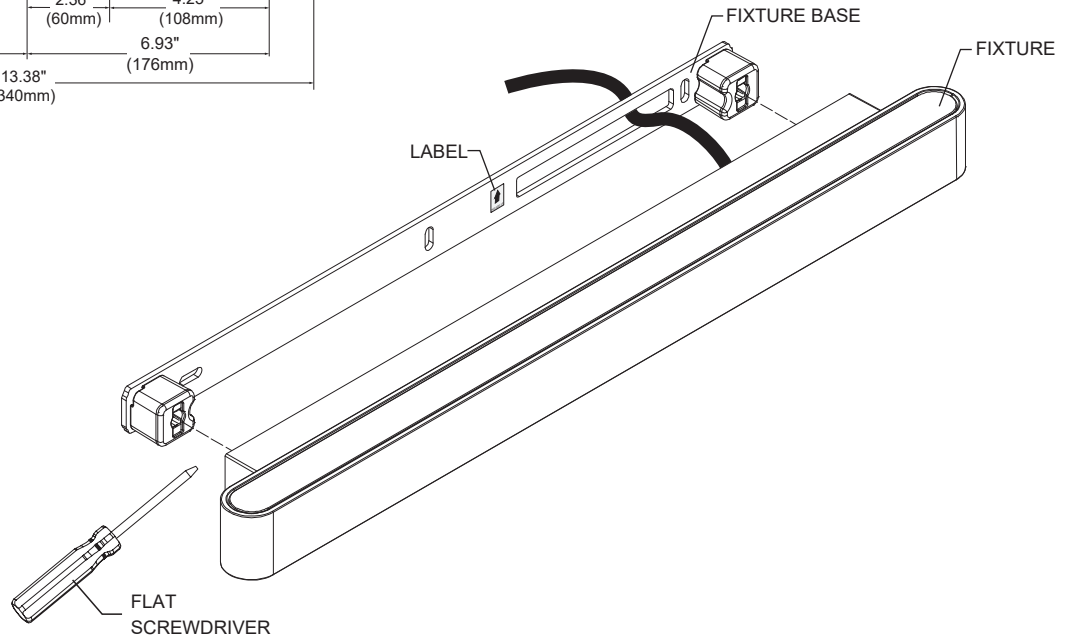
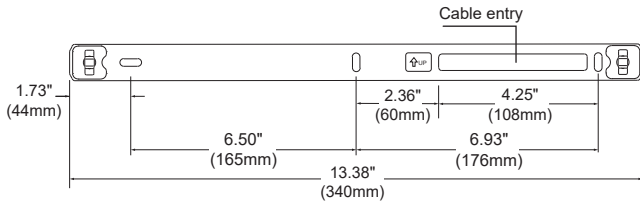
**A**

POCKET LONG  
S1880-J2  
S1881-J2



 Make sure to follow the orientation of the label

**B**



## J2 JUNCTION BOX INSTALLATION WITH REMOTE DRIVER (J2-REM)

- C- FIX THE BASE ON THE MOUNTING PLATE USING 3 PHILLIPS SCREWS (**INCLUDED**) AND MAKE WIRES CONNECTIONS, RED (+), BLACK (-), USING WATERTIGHT TWIST CONNECTORS (**NOT INCLUDED**), ONCE CONNECTED, PUSH THE WIRES BACK INTO THE JUNCTION BOX.
- D- CLIP THE FIXTURE TO THE BASE.

