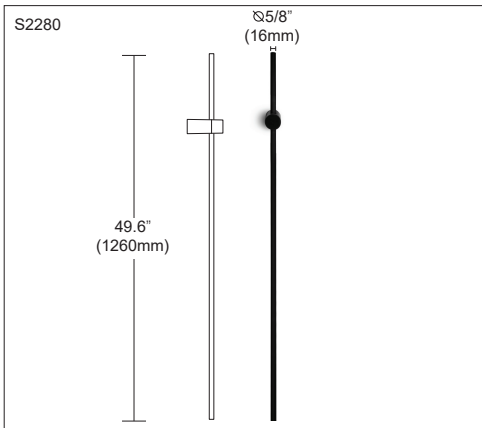


Feeling enhances the lighting of outdoor spaces such as terraces and gardens, making them cosy and comfortable as if they were indoor spaces. A decorative lighting family for outdoors with a minimalist design for an elegant and charming ambient light. Feeling can be wall or ceiling mounted, or it can be installed directly in soil using the Garden Stake model. In the wall and ceiling mounted option, its thin stem can perform two different rotations: the first one, around its own axis, allows to direct the light beam, creating direct, indirect or lateral light effects; the second rotation, around the fixing joint, moves the lighting from a vertical position to a diagonal or horizontal position.

Luminaire characteristics:

MODEL	POWER (W)	OPTIC	LUMENS (lm)*	EFFICACY (lm/W)*	MAX CANDELA (cd)*
S2280	11W	Accent light	290	26	106
S2281	17W		410	24	176
S2285	8.5W		205	24	106

*For 3000K, 90CRI
Power can vary with the selected driver.



Source:

White LED
2700K: 90CRI,
3000K: 90CRI,
4000K: 90CRI.

Lumen maintenance:

80% of initial lumens at 70 000 hours (L80 B10)
Ta 77°F (25°C)
80% of initial lumens at 50 000 hours (L80 B10)
Ta 104°F (40°C) (LM-80)

Optics:

Accent light.

Material:

Base: Extruded anodized aluminum
Body: Die-cast aluminum
Hardware: Stainless steel screws
Diffuser: Opal silicone

Mounting:

Wall and ceiling mounted.
Fixture whip supplied with 12" (300mm) power cable, connections to be made in a separate wiring box (by others).
On standard 4" octagonal junction box with round canopy.
Garden stake.
Supplied with 8" (200mm) power cable.
Connection to be made in a wiring box or with wet connectors (to be ordered separately).

Adjustment:

180° clockwise rotation around its own axis.
350° stem rotation at the fixture base.

Electrical:

24 Vdc remote LED driver.
See remote driver options. (page 3).

Dimming:

0-10V dimming, down to 1%.
See dimmable remote options. (page 3)

Temperature of operation:

-4°F to 122°F (-20°C to 50°C)

Finish:

Standard finish



Premium finishes



White or black painted finish. Double powder paint in 3 steps process: surface treatment containing ceramic nano particles (Bonderite). Epoxy primer paint. Polyester powder paint with high resistance against UV rays and harsh weather conditions. See page 2 for other premium finishes available (green, aluminium gray, burnish bronze & anthracite gray)

Weight:

3ft (1m): 2.42lb (1.1kg)
6ft (2m): 3.20lb (1.4kg)
3ft (1m Garden): 1.58lb (0.72kg)

Warranty:

5 year limited warranty.

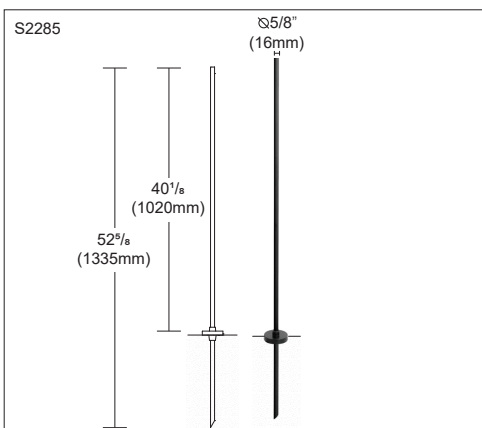
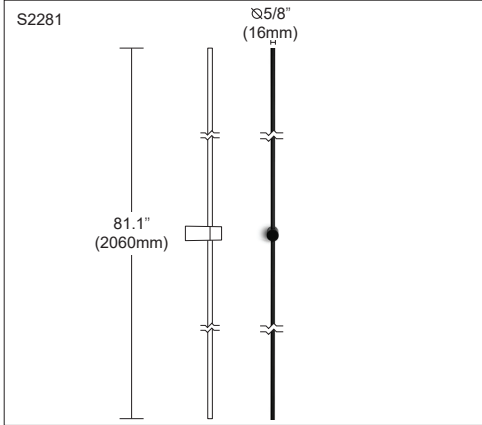
Ratings:

IP54, IK06

Certification:



cULus for wet location



ORDERING INFO

CLICK HERE



PRODUCT CODE

MODEL	LED	MOUNTING	VOLTAGE	FINISH
S2280 1m (49.6")	H 2700K, 90CRI	FW Surface mounted with fixture whip	REM Remote	01 White <input type="checkbox"/>
S2281 2m (81.1")	W 3000K, 90CRI	JB¹ Surface mounted junction box		09 Black <input type="checkbox"/>
S2285 Garden stake	N 4000K, 90CRI			PREMIUM
				07 Green <input type="checkbox"/>
				14 Aluminium Gray <input type="checkbox"/>
				20 Burnished bronze <input type="checkbox"/>
				24 Anthracite gray <input type="checkbox"/>

1 Not available with the garden stake model **S2285**.

CONNECTION ACCESSORIES

(TO BE ORDERED SEPARATELY)

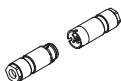
For available configurations and details on installation, consult the instruction sheet.

CONNECTION KIT

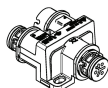
For 0.15"-0.27" (4-7mm) cable, 2 conductors 18-24AWG.

No finish available

9013-9014-KIT - Pole male + female connector 50/120V



9200 - Distributor block, 50/120V. (1x male in / 2x female out)



4543-00 - Connection box



REMOTE LED DRIVER OPTIONS (TO BE ORDERED SEPARATELY)

OUTDOOR RATED Driver box model	Min-max units		
	FEELING APPLIQUE 1M 9W	FEELING APPLIQUE 2M 14.5W	GARDEN STAKE 7.2W
4548-0024-060-UNV-D10-PWM	1-6	1-4	1-8
4548-0024-096-UNV-D10-PWM	1-10	1-6	1-13

INDOOR RATED Driver box model	Min-max units		
	FEELING APPLIQUE 1M 9W	FEELING APPLIQUE 2M 14.5W	GARDEN STAKE 7.2W
4445-0024-060-UNV-D10-PWM	1-6	1-4	1-8
4445-0024-096-UNV-D10-PWM	1-10	1-6	1-13

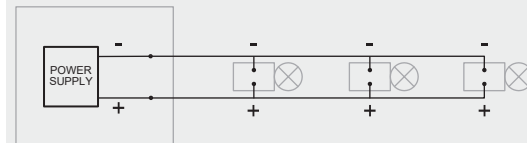
DRIVER BOX MODEL DESCRIPTION

MODEL	CONSTANT CURRENT	WATTAGE	VOLTAGE	DIMMING PROTOCOL
4548 6" x 4.5" x 3" (152 x 114 x 76mm)	0024 24Vdc	060 to 096 60W to 96W	UNV 120-277V	D10 0-10V Max distance: 100m (330ft)* (down to 1%)
4445 6" x 6" x 3" (152 x 152 x 76mm)				

*Max distance cable calculated for 16AWG cable.
Contact customer service for longer remote distance.

WIRING DIAGRAM

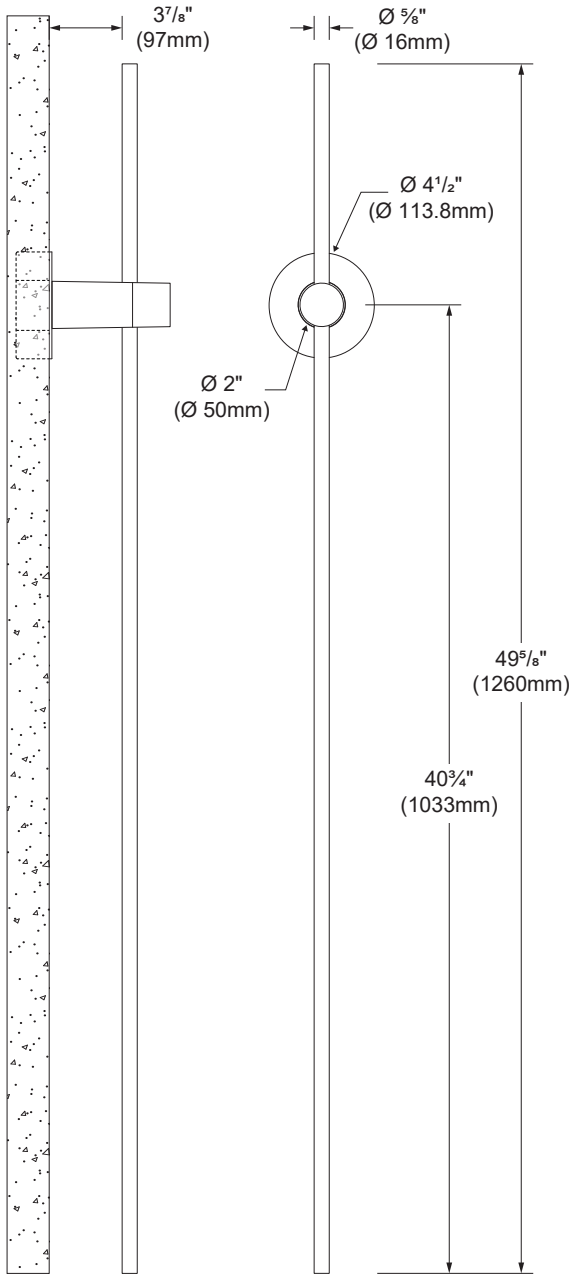
Multiple luminaires must be connected in parallel



DIMENSIONS

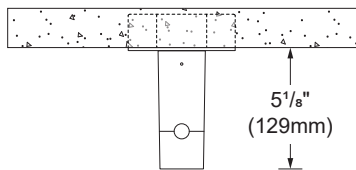
Canopy dimensions and fixture rotations are shown in a single model to simplify the layout, but are the same for both models

S2280 (1m)



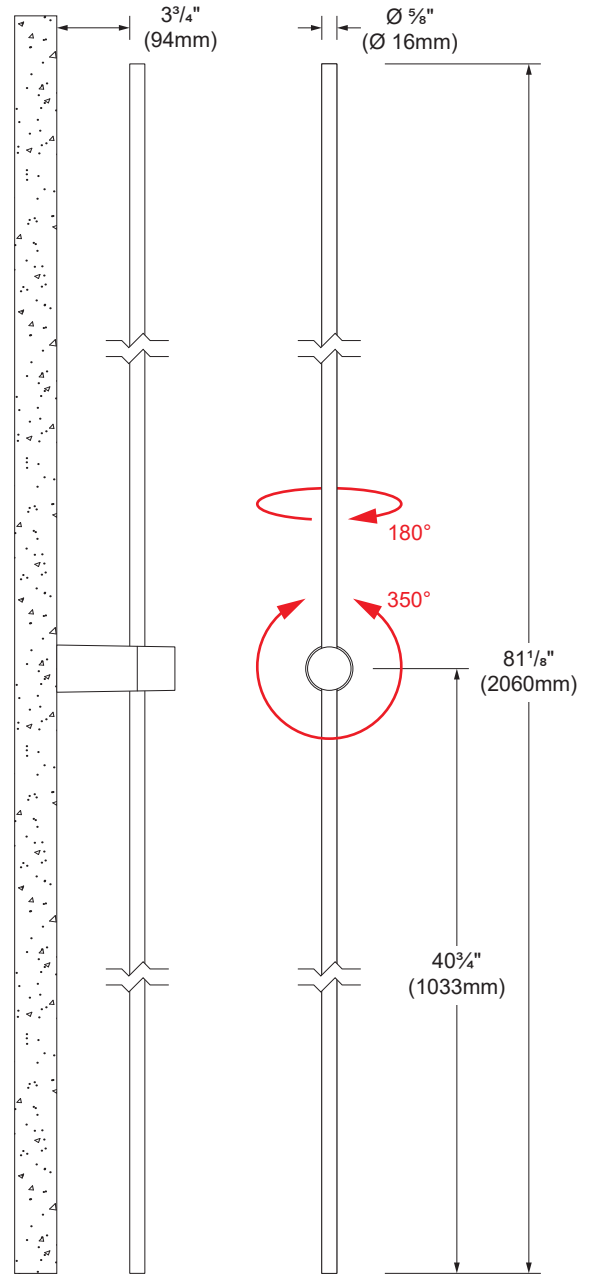
SIDE VIEW

FRONT VIEW



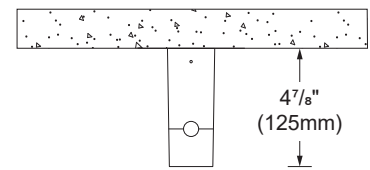
TOP VIEW
JB-REM

S2281 (2m)



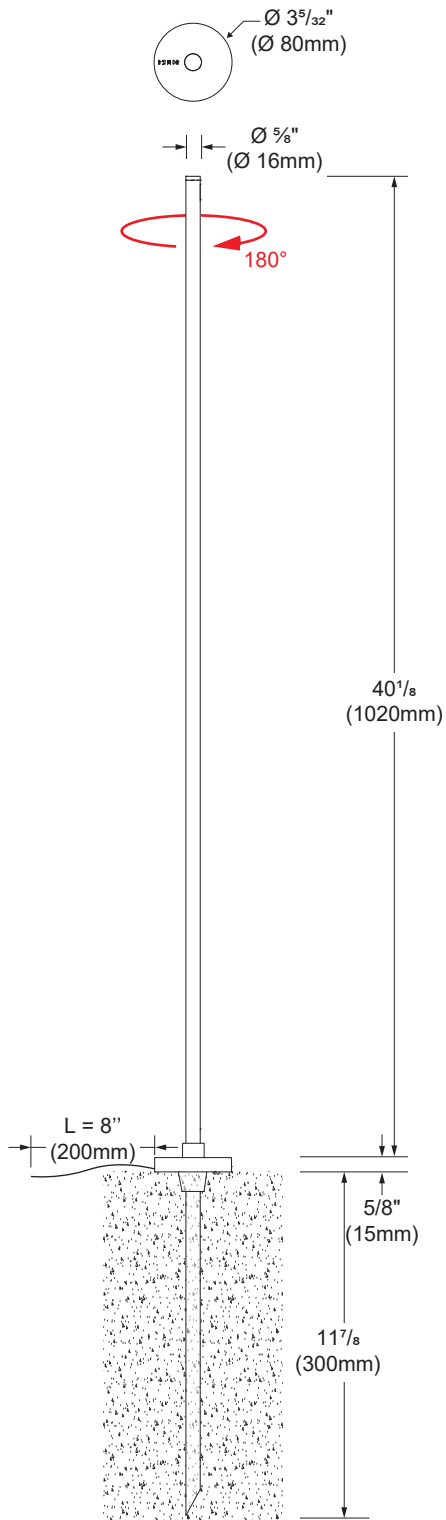
SIDE VIEW

FRONT VIEW



TOP VIEW
FW-REM

S2285 (Garden stake)



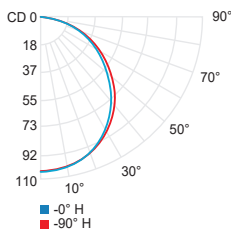
FRONT VIEW

PHOTOMETRIC DATA

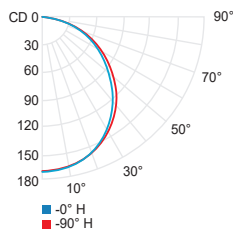
CCT (K)	CRI	POWER (W)	OPTIC	LUMENS (lm)	EFFICACY (lm / W)	MAX CANDELA (cd)	MODELS
3000K	90	11W	Accent light	290	26	106	S2280W
		17W		410	24	176	S2281W
		8.5W		205	24	106	S2285W

Power can vary with the selected driver.

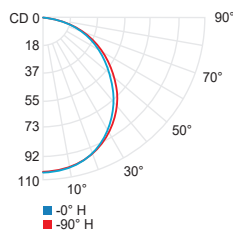
S2280W (3000K, 90CRI)



S2281W (3000K, 90CRI)



S2285W (3000K, 90CRI)



CCT options	2700K	3000K	4000K
CRI options	90CRI	90CRI	90CRI
Multiplier	0.95	1	1.15

Use a multiplier table for the other CCT and CRI output data. Efficacy based on IESNA LM-79 test reports.