

MARKER is a luminaire conceived to be recessed in the riser of the steps. The light is controlled and oriented downward to avoid glare even when the position of the lighting fitting is higher than the height of the point of view.

**Luminaire characteristic:**

MODEL	POWER (W)	OPTIC	LUMENS (lm)*	EFFICACY (lm/W)*	MAX CANDELA (cd)*
S6325W	8.3W	Accent light	96	9	78

\*For 3000K, 80CRI

**Source:** White LED  
2700K: 80CRI,  
3000K: 80CRI,  
4000K: 80CRI.

**Lumen maintenance:** 80% of initial lumens at 70 000 hours (L80 B10)  
T77° (25°)  
80% of initial lumens at 50 000 hours (L80 B10)  
T104° (40°) (LM-80)

**Optic:** Accent light

**Material:** Body: Die-cast aluminum  
Diffuser: 4mm thick acid etched tempered glass.  
Hardware: Stainless steel screws and silicone gaskets.

**Mounting:** Recessed concrete wall installation using back box accessory.

**Electrical:** High efficiency dimmable LED driver, rated at 50 000 hours. 120V/277V.

**Dimming:** 0-10V down to 1% (120-277V).

**Finish:** Aluminium gray painted finish. Double powder paint coat in 3 steps process: Surface treatment containing ceramic nano particles (Bonderite). Epoxy primer paint. Polyester powder paint with high resistance against UV rays and harsh weather conditions.  
See page 2 for other premium finishes available (white, green, black, burnish bronze, anthracite gray)

**Weight:** 2.65lb (1.2kg)

**Warranty:** 5 year limited warranty.

**Ratings:** IP65, IK10

**Certification:** cULus listed for wet location.



**ORDERING INFO**

CLICK HERE

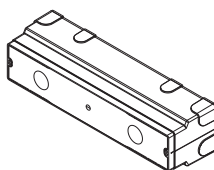


PRODUCT CODE

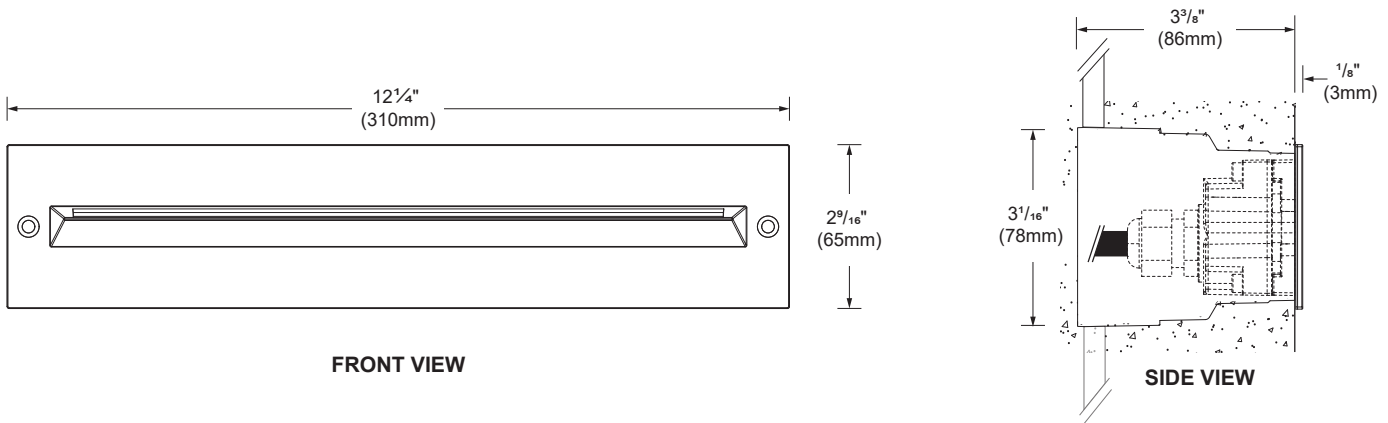
MODEL	LED	VOLTAGE	FINISH	DIMMING
<b>S6325</b>	<b>H</b> 2700K, 80CRI  <b>W</b> 3000K, 80CRI  <b>N</b> 4000K, 80CRI	<b>UNV</b> 120-277V	<b>14</b> Aluminium gray  <i>PREMIUM</i>  <b>01</b> White  <b>07</b> Green  <b>09</b> Black  <b>20</b> Burnished bronze  <b>24</b> Anthracite gray	<b>D10</b> 0-10V  <b>ND</b> No dimming

**MOUNTING ACCESSORIES**  
(TO BE ORDERED SEPARATELY)

- S6329** - Recessed backbox for concrete wall installation only.  
Length: 12.21" x 3.07" (310mm x 78mm)  
Depth 3.39" (86mm)



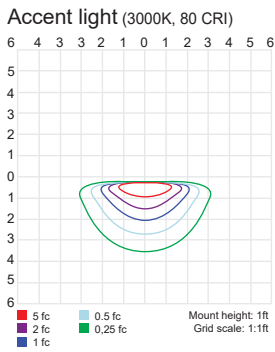
**DIMENSIONS**



**PHOTOMETRIC DATA**

Visit [sistemalux.com](http://sistemalux.com) for complete photometric data.

CCT (K)	CRI	LOAD (W)	OPTIC	LUMENS (lm)	EFFICACY (lm / W)	MAX CANDELA (cd)	MODELS
3000K	80	8.3W	Accent light	96	9	78	S6325W



CCT options	2700K	3000K	4000K
CRI options	80CRI	80CRI	80CRI
<b>Multiplier</b>	<b>0.95</b>	<b>1</b>	<b>1.07</b>

Use a multiplier table for the other CCT and CRI output data. Efficacy based on IESNA LM-79 test reports.