

Ground mounted bollard suitable for walkways and paths, being a valid alternative to a wall mounted illumination.

Luminaire characteristics: Power input system: 12.5W to 48W
Lumens system for 3000K, 90CRI: 333lm to 936lm
Luminaire efficacy for 3000K, 90CRI: Up to 26lm/W

Source: LED module (LM-80 tested)
2700K: 90CRI,
3000K: 90CRI,
4000K: 80CRI.

Lumen maintenance: 80% of initial lumens at 70 000 hours (L80 B10) T77° (25°)
80% of initial lumens at 50 000 hours (L80 B10) T104° (40°)

Optics: Accent light.
Diffuser: Toughened glass.

Mounting: Install with flange accessory or fasten to ground.

Electrical: High efficiency electronic LED driver, rated at 50 000 hours, 120-277V.


Dimming: 0-10V (120-277V), down to 10%.

Finish: White, aluminum gray, burnished bronze or anthracite gray painted finish. Double powder paint coat in 3 steps process: surface treatment containing ceramic nano particles (Bonderite). Epoxy primer paint. Polyester powder paint with high resistance against UV rays and harsh weather conditions. White and burnished bronze available with teak wood accent.

Weight: Mini look bollard:
SL9206: 6.21lb (2.82kg)
SL9211: 12.7lb (5.76kg)
S7206: 3.3lb (1.5kg)
S7211: 7.94lb (3.6kg)
Mini look bollard double:
S7215: 3.3lb (1.5kg)
S7220: 7.94lb (3.6kg)
Look bollard:
S7260: 10.4lb (4.7kg)
S7261: 15.4lb (7kg)
S7262: 20.3lb (9.2kg)
Look bollard double:
S7265: 12lb (5.5kg)
S7266: 17lb (7.7kg)
S7267: 22lb (9.9kg)

Warranty: 5 year limited warranty.

Ratings: IP65, IK06

Certification:  cULus listed for wet location

ORDERING INFO

- **UNV** -
FIXTURE



MODEL

Mini look bollard

- S7206** - 220mm
- S7211** - 580mm
- SL9206** - 220mm wood
- SL9211** - 580mm wood

Mini look bollard double

- S7215** - 220mm
- S7220** - 580mm

Look bollard

- S7260** - 290mm
- S7261** - 580mm
- S7262** - 870mm

Look bollard double

- S7265** - 290mm
- S7266** - 580mm
- S7267** - 870mm

LED

- H** - 2700K, 90CRI
- W** - 3000K, 90CRI
- N** - 4000K, 80CRI

VOLTAGE

- UNV** - 120-277V

FINISH

- 01** - White
- 14** - Aluminum gray
- 20** - Burnished bronze
- 24** - Anthracite gray

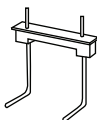
DIMMING

- ND** - No dimming
- D10** - 0-10V

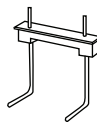
ACCESSORIES

(TO BE ORDERED SEPARATELY)

- S7249**- Flange for Minilook with stainless steel screws
8½" x 9¼" (217mm x 235mm)



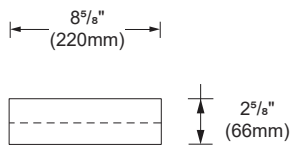
- S7269** - Flange for Look with stainless steel screws
11⅜" x 9⅝" (290mm x 231mm)



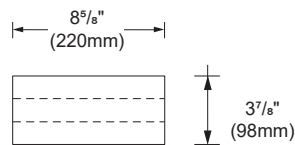
DIMENSIONS

MINI LOOK BOLLARD
S7206 / S7211 / SL9206 / SL9211

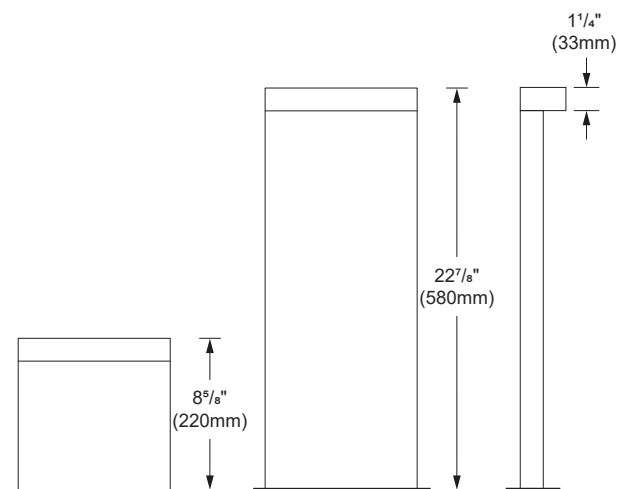
MINI LOOK BOLLARD DOUBLE
S7215 / S7220



TOP VIEW

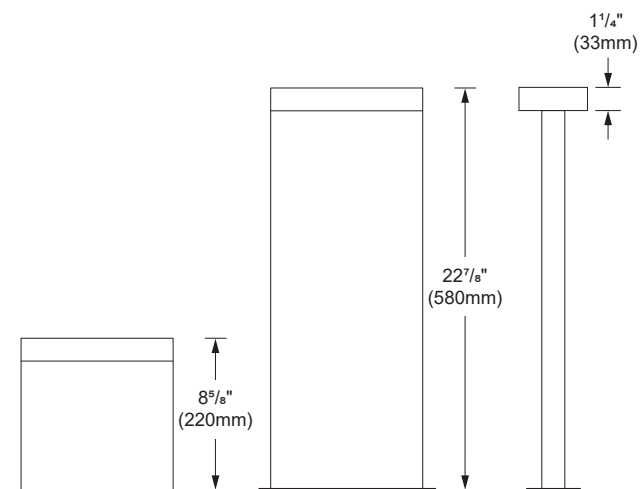


TOP VIEW



FRONT VIEW

SIDE VIEW

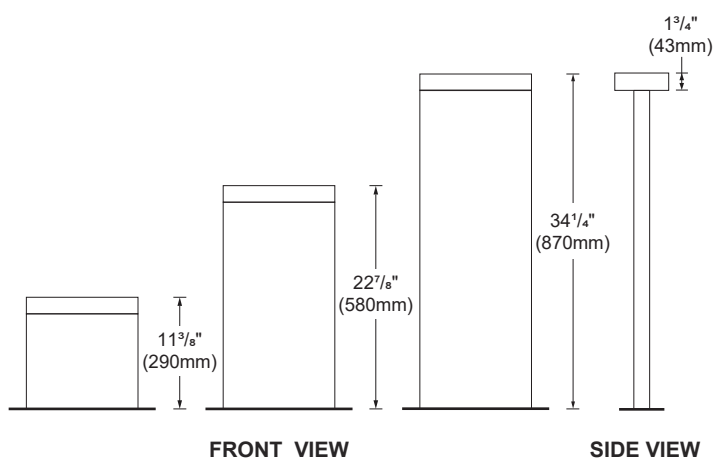
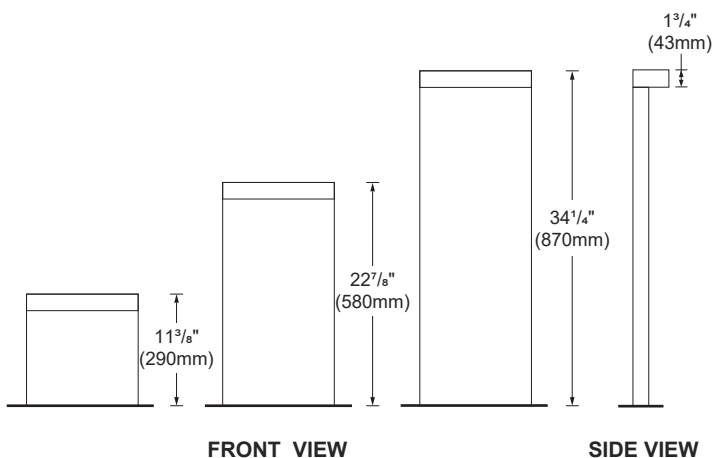
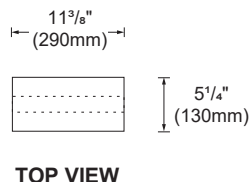
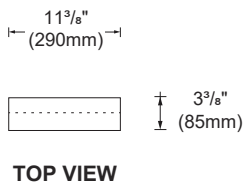


FRONT VIEW

SIDE VIEW

LOOK BOLLARD
S7260 / S7261 / S7262

LOOK BOLLARD DOUBLE
S7265 / S7266 / S7267

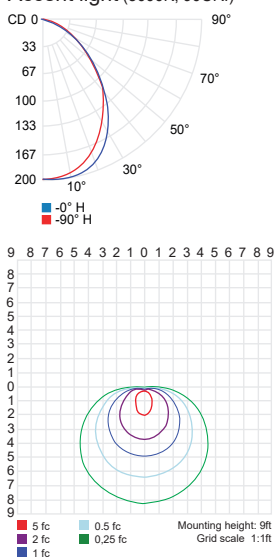


PHOTOMETRIC DATA

Visit sistimalux.com for complete photometric data.

CCT (K)	CRI	LOAD (W)	OPTIC	LUMENS (lm)	EFFICACY (lm / W)	MAX CANDELA (cd)	MODELS
3000K	90	12.5W	Accent light	334	26	191	SL9206W - 220mm
							SL9211W - 580mm
							S7206W - 220mm
							S7211W - 580mm
		25W		S7215W - 220mm			
				S7220W - 580mm			

Accent light (3000K, 90CRI)



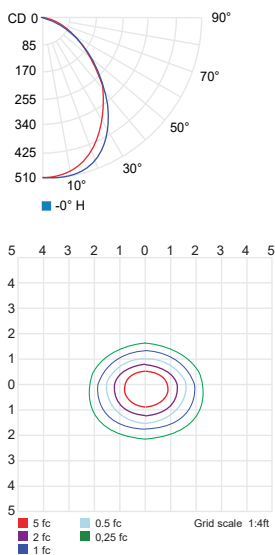
CCT options	2700K	3000K	4000K
CRI options	90CRI	90CRI	80CRI
Multiplier	0.94	1	1.08

PHOTOMETRIC DATA

Visit sistimalux.com for complete photometric data.

CCT (K)	CRI	LOAD (W)	OPTIC	LUMENS (lm)	EFFICACY (lm / W)	MAX CANDELA (cd)	MODELS
3000K	90	24W	Accent light	936	24	509	S7260W - 290mm S7261W - 580mm S7262W - 870mm
3000K	90	48W		936	19	509	S7265W - 290mm S7266W - 580mm S7267W - 870mm

Accent light (3000K, 90 CRI)



CCT options	2700K	3000K	4000K
CRI options	90CRI	90CRI	80CRI
Multiplier	0.94	1	1.08