



Wall mounted luminaire with excellent light control characteristics, gives improved lighting design solutions and precision with glare-free effects outside the declared angle of light emission.

Luminaire characteristic:

Power input: 3.5W
Lumens: 74lm (for 3000K, 90CRI)
Luminaire efficacy: 21lm/W

Source: White LED (LM-80),
2700K: 90CRI,
3000K: 90CRI,
4000K: 80CRI.

Lumen maintenance: 80% of initial lumens at 70 000 hours (L80)(LM-79)

Optic: Elliptical 7° x 28° beam angle.

Material: Body and End caps: Die-cast aluminum
Reflector: 99.98% pure anodized aluminum
Diffuser: Clear toughened glass
Hardware: Stainless steel screws and silicone gasket.

Mounting: Installed on standard 4" octagonal junction box.

Electrical: Integral high efficiency LED driver, rated at 50 000 hours. 120V.

Finish: White, aluminum gray or anthracite gray (RAL7022) painted finish, following a double powder paint in 3 step process: surface treatment containing ceramic nano particles (Bonderite). Epoxy primer paint. Polyester powder paint with high resistance against UV rays and harsh weather conditions.

Weight: 1.1lb (0.5kg)

Warranty: 5 year limited warranty.

Ratings: IP65, IK06

Certification: cULus listed for wet location.



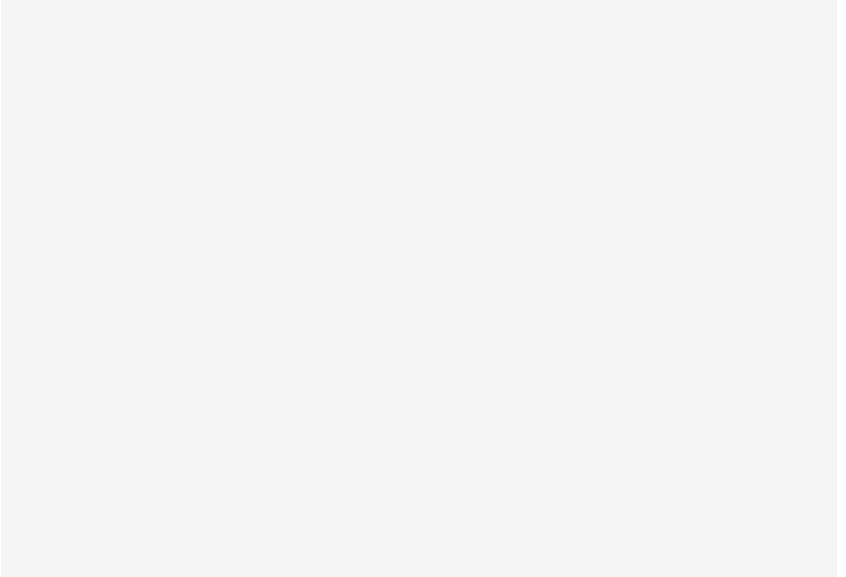
ORDERING INFO



PRODUCT CODE

--	--	--	--

MODEL	LED	VOLTAGE	FINISH
S6625 7° x 28°	H 90 CRI, 2700K	120 120V	01 WHITE
	W 90 CRI, 3000K		14 ALUMINUM GRAY
	N 80 CRI, 4000K		24 ANTHRACITE GRAY



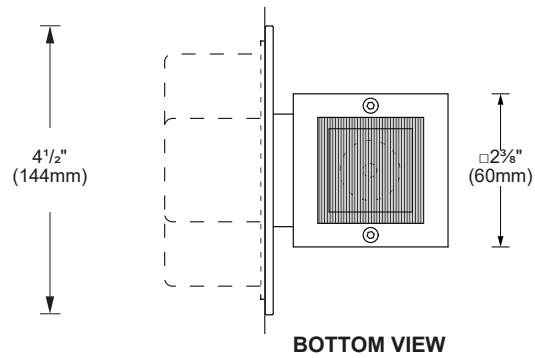
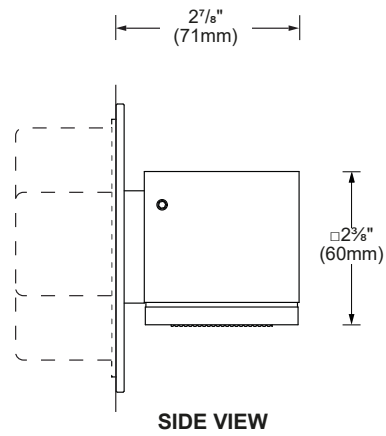
ACCESSORY

(TO BE ORDERED SEPARATELY)

S6602 - 30° inclined bracket



DIMENSIONS

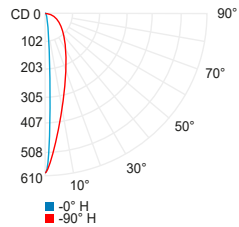


PHOTOMETRIC DATA

Visit sistimalux.com for complete photometric data.

CCT (K)	CRI	LOAD (W)	OPTIC	LUMENS (lm)	EFFICACY (lm/w)	MAX CANDELA (cd)	MODELS
3000K	90	3.5W	7° x 28°	74	21	604	S6625W

7° x 28° (3000K, 90CRI)



	Center beam fc	Beam width ft
2ft	151.1	0.3
4ft	37.8	0.6
6ft	16.8	0.9
8ft	9.4	1.2
10ft	6.0	1.5
12ft	4.2	1.8

CCT options	2700K	3000K	4000K
CRI options	90CRI	90CRI	80CRI
Multiplier	0.94	1	1.08