

Luminaire characteristics

SIZE	TOTAL INPUT	OPTIC	LUMEN (lm)*	EFFICACY (lm/W)*	MAX CANDELA (cd)*
SMALL	14W	Spot 10°	573	41	10 261
		Flood 32°	470	34	1 453
		Wide flood 60°	363	26	495
		Elliptical 60° x 10°	430	31	2 379
MEDIUM	24.5W	Spot 10°	940	38	17 094
		Flood 32°	799	33	2 608
		Wide flood 60°	596	24	820
		Elliptical 60° x 10°	692	28	3 997
LARGE	34W	Spot 10°	1705	51	42 206
		Flood 32°	1418	42	4 730
		Wide flood 60°	1023	30	1 450
		Elliptical 60° x 10°	1218	38	7 633

*For 3000K, 90CRI

Source:	White LED 2700K: 90CRI, 3000K: 90CRI, 4000K: 80CRI.
Lumen maintenance:	80% of initial lumens at 70 000 hours (L80 B10) T77°F (25°C) 80% of initial lumens at 50 000 hours (L80 B10) T104°F (40°C) (LM-80)
Optics:	Spot, flood, wide flood and elliptical. Optics are achieved with filters already installed in fixture. See effect on page 2 and codes for extra filters. Optical filter are easily interchangeable and can be ordered separately.
Material:	Body: die-cast aluminum Diffuser: 1/16" (2mm) clear toughened glass Hardware: stainless steel screws
Mounting:	Surface mounted. Optional canopy for standard octagonal junction box installation. Soil. Optional stake to be ordered separately. Pole mounted. Optional flange to be ordered separately Supplied with 5m of CMP outdoor suitable 2/22AWG cable.
Electrical:	High efficiency dimmable remote LED driver, rated at 50 000 hours. 120V/277V. See remote power supply options on page 3.
Dimming:	Leading (Triac) and trailing edge(ELV), down to 15% and 0-10V down to 0.1% (120-277V). See dimming options on page 3.
Temperature of operation:	-4°F to 122°F (-20°C to 50°C)
Finish:	Anthracite gray painted finish. Double powder paint coat in 3 steps process: surface treatment containing ceramic nano particles (Bonderite). Epoxy primer paint. Polyester powder paint with high resistance against UV rays and harsh weather conditions. See page 2 for other premium finishes available (white, green, black, gray & burnish bronze)
Weight:	Small: 2.86lb (1.3kg) Medium: 3.30lb (1.5kg) Large: 3.99lb (1.81kg)
Warranty:	5 year limited warranty.
Ratings:	IP66, IK07
Certification:	cULus for wet location.

ORDERING INFO



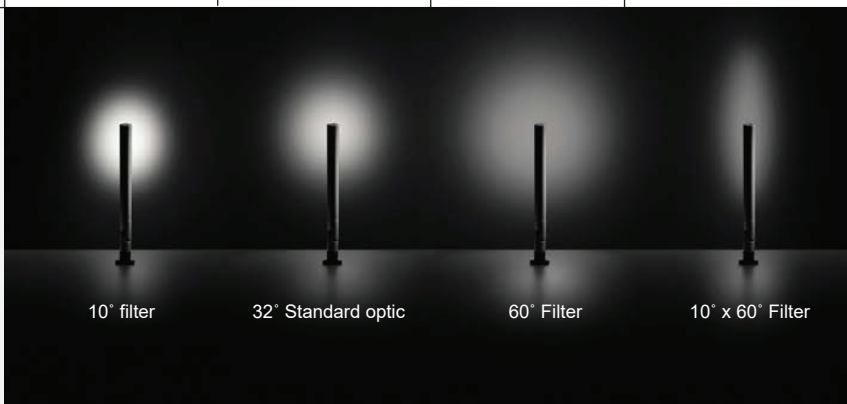
PRODUCT CODE

MODEL	LED	OPTIC*	MOUNTING	VOLTAGE	FINISH
S1751 Small 4 LED	H 2700K, 90CRI	SP Spot (10°)	FW Surface, pole or soil mounting, no junction box	REM Remote	24 Anthracite gray
S1761 Medium 7 LED	W 3000K, 90CRI	FL Flood (32°)	JB Surface mounting, with junction box		PREMIUM
S1771 Large 12 LED	N 4000K, 80CRI	WF Wide flood (60°)			01 White
		ELL Elliptical (60° x 10°)			07 Green
					09 Black
					14 Gray
					20 Burnished bronze

* Optics are achieved with filters already installed in fixture. See effect below and codes for extra filters.

EXTRA OPTICAL FILTER (To be ordered separately)

MODEL	SPOT 10°	FLOOD 32°	WIDE FLOOD 60°	ELLIPTICAL 60° X 10°
<input type="checkbox"/> SMALL S1751	<input type="checkbox"/> S1752	STANDARD OPTIC INCLUDED	<input type="checkbox"/> S1753	<input type="checkbox"/> S1754
<input type="checkbox"/> MEDIUM S1761	<input type="checkbox"/> S1762	STANDARD OPTIC INCLUDED	<input type="checkbox"/> S1763	<input type="checkbox"/> S1764
<input type="checkbox"/> LARGE S1771	<input type="checkbox"/> S1772	STANDARD OPTIC INCLUDED	<input type="checkbox"/> S1773	<input type="checkbox"/> S1774



POLE MOUNTING

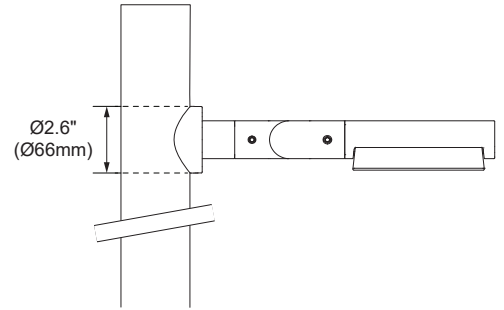
FLANGE FOR POLE INSTALLATION

Pole Ø: 2 3/8" (60mm) or 3" (76mm)

S1758



Dimensions	Length	Weight
Ø2.6" x 0.75" (Ø66mm x 19mm)	2 3/8" (60mm)	0.11lb (0.05kg)



POLE INFORMATIONS

POLE Ø2 3/8" (Ø60mm)

SUPPLIED BY OTHER
CONTACT FACTORY FOR POLE DETAILS

POLE Ø3" (Ø76mm)

SUPPLIED BY OTHER
CONTACT FACTORY FOR POLE DETAILS

HEIGHT: _____ FT

MODEL: Straight

INSTALLATION: Anchor bolts

MATERIAL: Aluminum
 Galvanized steel

FINISH 1:

- 01 - White (RAL9016)
- 07 - Green (RAL6028)
- 09 - Black (RAL9005)
- 14 - Aluminium gray (RAL9006)
- 20 - Burnished bronze (RAL8019)
- 24 - Anthracite gray (RAL7022)
- Custom RAL _____

MODELS	EPA
SMALL 4 LED	0.030ft ² (0,009 m ²)
MEDIUM 7 LED	0.043ft ² (0,016m ²)
LARGE 12 LED	0.57ft ² (0,021m ²)

1 We provide RAL numbers that are similar, but we cannot guarantee an exact color match.
For a more accurate color and gloss match, please contact customer service for a sample chip.

STAKE IN POLYPROPYLENE

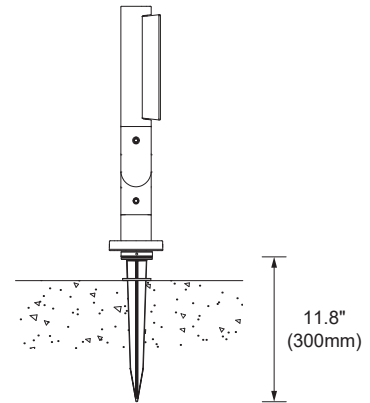
2" of the upper part stay out
of the ground

S1768



Dimensions	Length	Weight
Ø2.6" x 11.8" (Ø66mm x 300mm)	11.8" (300mm)	0.11lb (0.05kg)

4543-00 Wet location junction box



REMOTE LED DRIVER OPTIONS (TO BE ORDERED SEPARATELY)

PRODUCT CODE

Outdoor rated drivers

Driver box model	Min-max units		
	S1751 10.6W*	S1761 18.3W*	S1771 30.6W*
4548-0850-035-120-LTE	2	1	1
4549-0850-040-UNV-D10	1-3	1-2	1
4549-0850-046-UNV-ED10	1-3	1-2	1
4549-0850-050-UNV-SD10 2 LED outputs	1-4 (max 2 per output)	1-2 (1 per output)	1
4549-0850-100-UNV-SD10 4 LED outputs	1-9 (max 4 per output)	1-4 (max 1 per output)	1-3 (max 1 per output)

Indoor rated drivers

Driver box model	Min-max units		
	S1751 10.6W*	S1761 18.3W*	S1771 30.6W*
4445-0850-035-120-LTE	2	1	1
4450-0850-040-UNV-D10	1-3	1-2	1
4450-0850-046-UNV-ED10	1-3	1-2	1
4450-0850-050-UNV-SD10 2 LED outputs	1-4 (max 2 per output)	1-2 (1 per output)	1
4448-0850-100-UNV-SD10 4 LED outputs	1-9 (max 4 per output)	1-4 (max 1 per output)	1-3 (max 1 per output)

*Represent LED source wattage for one (1) fixture.

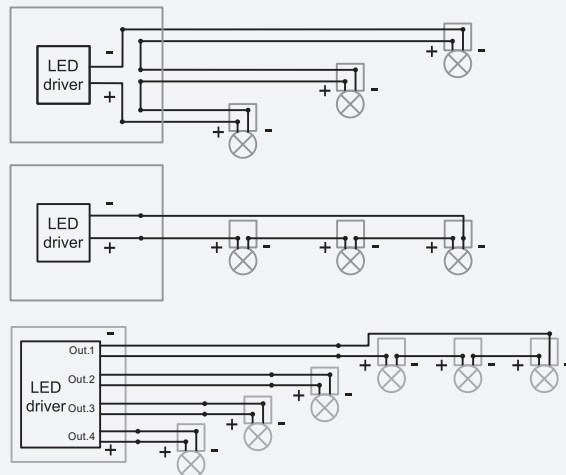
Driver code example

MODEL	CONSTANT CURRENT	WATTAGE	VOLTAGE	DIMMING PROTOCOL
4445 6" x 6" x 3" (152 x 152 x 76mm)	0850 850 mA	035 to 100	120 120V	LTE Leading edge and trailing edge (ELV and TRIAC) Max distance: 9m (30ft) ¹ Down to 15%
4448 10" x 8" x 4" (254 x 203x 101mm)				UNV 120-277V
4450 8" x 8" x 4" (203 x 203x 101mm)				D10 0-10V Max distance: 100m (330ft) ¹ (down to 0.1%)
4548 6" x 4.5" x 3" (152 x 114 x 76mm)				ED10 0-10V ELDOLED ECOdrive Max distance: 36m (118ft) ¹ (down to 1%)
4549 14.5" x 5" x 3.5" (368 x 127 x 89mm)				SD10 0-10V ELDOLED SOLOdrive Max distance: 36m (118ft) ¹ (down to 0.1%)

¹ Max distance cable calculated for 16AWG cable at full load. Contact customer service for longer remote distance.

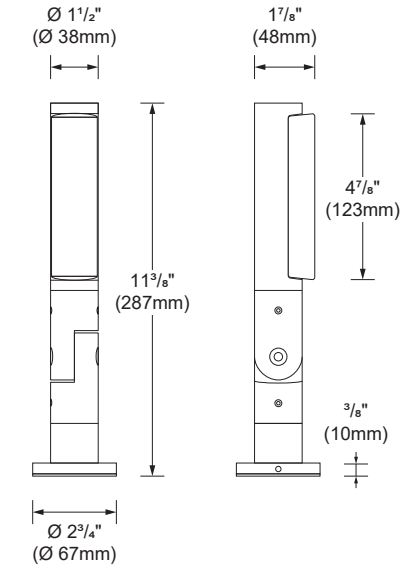
WIRING DIAGRAMS

Fixture must be connected in series.



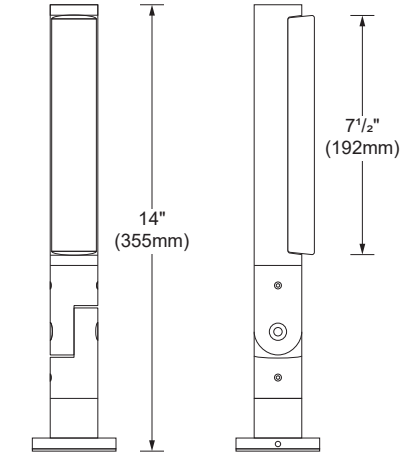
DIMENSIONS

Small S1751	Medium S1761	Large S1771
----------------	-----------------	----------------



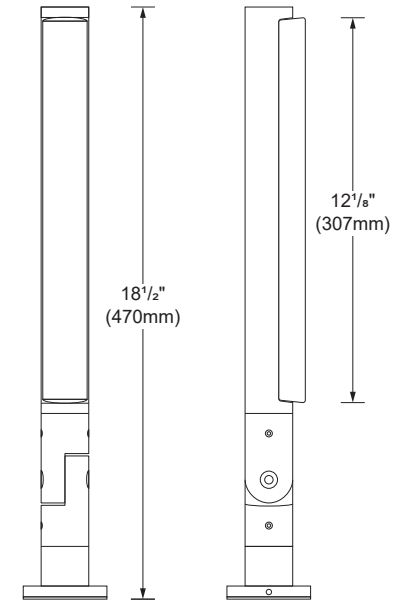
FRONT VIEW

SIDE VIEW



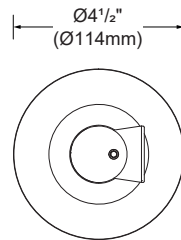
FRONT VIEW

SIDE VIEW

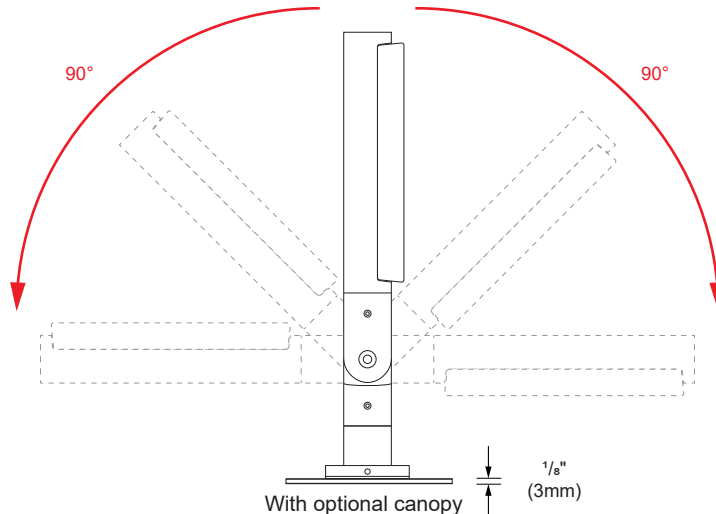
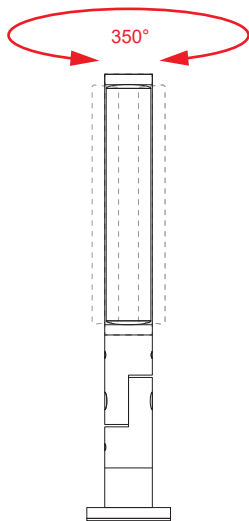


FRONT VIEW

SIDE VIEW

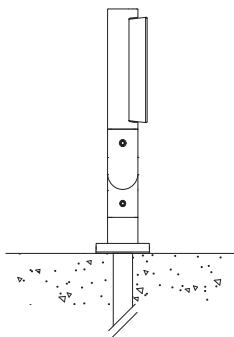


TOP VIEW



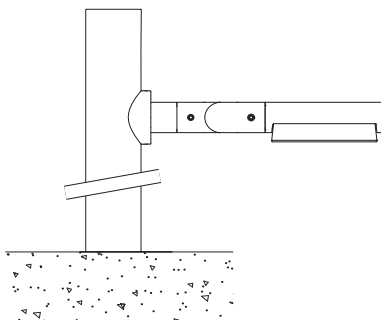
MOUNTING OPTIONS

SURFACE



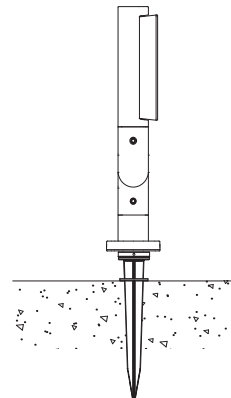
FW-REM - Fixture whip to remote power supply. Installed directly to surface with recessed pipe, exposed cable or electrical conduit.

POLE



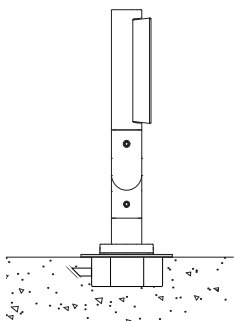
FW-REM - Mounting on pole with a die-cast aluminium flange suitable only for 2 3/8" (60mm)/ 3" (76mm) poles.

SOIL



FW-REM - Mounting on stake. 2" of the upper part stay out of the ground.

SURFACE ON JUNCTION BOX



JB-REM - 4" junction box with remote power supply. Mounting adapter plate for standard octagonal junction box installation.

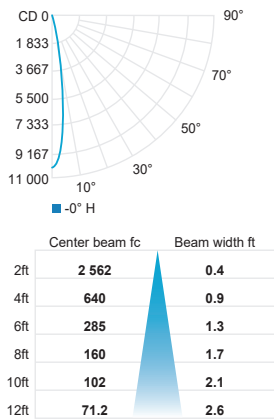
PHOTOMETRIC DATA

SMALL

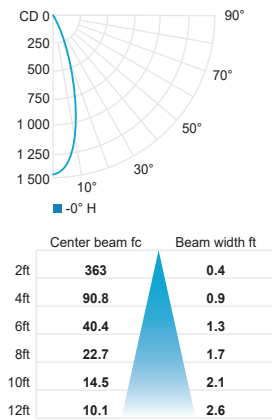


CCT (K)	CRI	LOAD* (W)	OPTIC	LUMENS (lm)	EFFICACY (lm / W)	MAX CANDELA (cd)	MODELS
3000K	90	14W	Spot 10°	573	41	10 261	S1751W-SP
			Flood 32°	470	34	1 453	S1751W-FL
			Wide flood 60°	363	26	495	S1751W-WF
			Elliptical 60° x 10°	430	31	2 379	S1751W-ELL

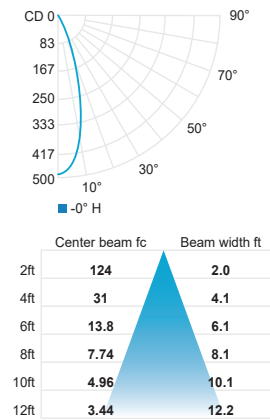
Spot 10° (3000K, 90CRI)



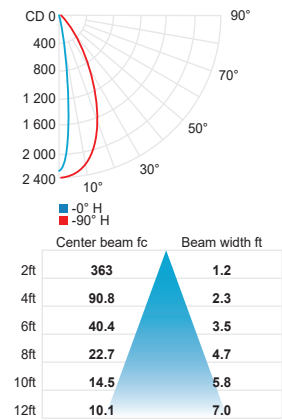
Flood 32° (3000K, 90CRI)



Wide flood 60° (3000K, 90CRI)



Elliptical 60° x 10° (3000K, 90CRI)

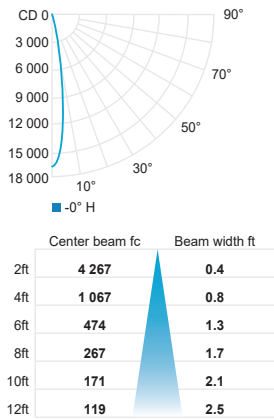


MEDIUM

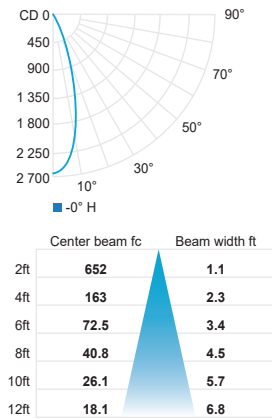


CCT (K)	CRI	LOAD* (W)	OPTIC	LUMENS (lm)	EFFICACY (lm / W)	MAX CANDELA (cd)	MODELS
3000K	90	24.5W	Spot 10°	940	38	17 094	S1761W-SP
			Flood 32°	799	33	2 608	S1761W-FL
			Wide flood 60°	596	24	820	S1761W-WF
			Elliptical 60° x 10°	692	28	3 997	S1761W-ELL

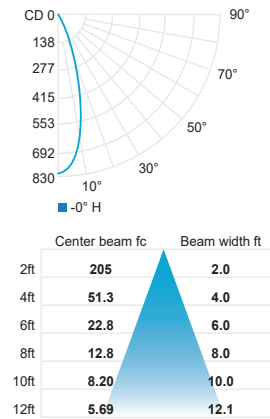
Spot 10° (3000K, 90CRI)



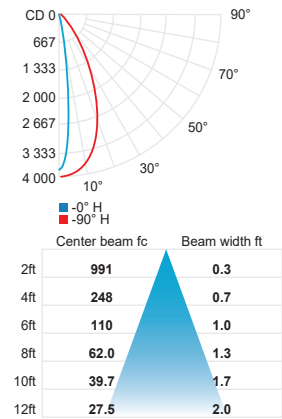
Flood 32° (3000K, 90CRI)



Wide flood 60° (3000K, 90CRI)



Elliptical 60° x 10° (3000K, 90CRI)



CCT options	2700K	3000K	4000K
CRI options	90CRI	90CRI	80CRI
Multiplier	0.94	1	1.05

*For products that use a remote LED driver, total system wattage will vary according to the efficacy of the remote LED driver selected. Use multiplier table for other CCT and CRI output data. Efficacy based on IESNA LM-79 test reports.

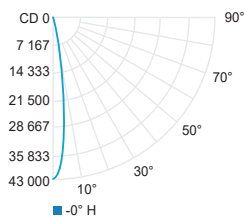
PHOTOMETRIC DATA

LARGE



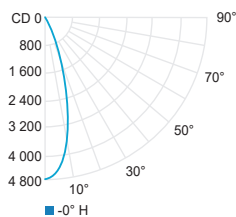
CCT (K)	CRI	LOAD* (W)	OPTIC	LUMENS (lm)	EFFICACY (lm / W)	MAX CANDELA (cd)	MODELS
3000K	90	34W	Spot 10°	1 705	51	42 206	S1771W-SP
			Flood 32°	1 418	42	4 730	S1771W-FL
			Wide flood 60°	1 023	30	1 450	S1771W-WF
			Elliptical 60° x 10°	1 218	36	7 633	S1771W-ELL

Spot 10° (3000K, 90CRI)



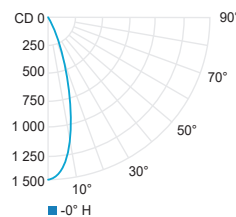
Center beam fc	Beam width ft
2ft	10 531 0.4
4ft	2 633 0.7
6ft	1 170 1.1
8ft	658 1.4
10ft	421 1.8
12ft	293 2.2

Flood 32° (3000K, 90CRI)



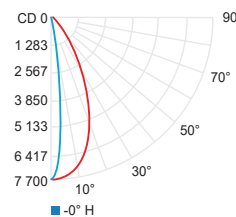
Center beam fc	Beam width ft
2ft	1 183 1.1
4ft	296 2.2
6ft	131 3.4
8ft	73.9 4.5
10ft	47.3 5.6
12ft	32.9 6.7

Wide flood 60° (3000K, 90CRI)



Center beam fc	Beam width ft
2ft	363 2.0
4ft	90.7 4.0
6ft	40.3 5.9
8ft	22.7 7.9
10ft	14.5 9.9
12ft	10.1 11.9

Elliptical 60° x 10° (3000K, 90CRI)



Center beam fc	Beam width ft
2ft	1 898 0.3
4ft	475 0.6
6ft	211 0.9
8ft	119 1.3
10ft	75.9 1.6
12ft	52.7 1.9

CCT options	2700K	3000K	4000K
CRI options	90CRI	90CRI	80CRI
Multiplier	0.94	1	1.05

*For products that use a remote LED driver, total system wattage will vary according to the efficacy of the remote LED driver selected. Use multiplier table for other CCT and CRI output data. Efficacy based on IESNA LM-79 test reports.