




Collection of specification grade downlights for architectural applications. Excellent build quality with features for the most demanding professional applications. A 4" aperture with generous light outputs and excellent chromatic performance. Professional optics with directional distribution.



Luminaire characteristic:	<p>Power input: 15W or 20.5W Lumens: 758lm to 1348lm (for 3000K, 80CRI) Luminaire efficacy: Up to 66lm/W</p>
Source:	COB LED module (LM-80) 3000K: 80CRI, 90CRI, 4000K: 80CRI.
Lumen maintenance:	LM79, 90% of initial lumens at 50 000 hours (L90), 80% of initial lumens at 100 000 hours (L80).
Optic:	Adjustable deep recessed reflector flood optic. Optical assembly hot aiming adjustment: 30° tilt and 359°pan.
Material:	Body: Die-cast aluminum optical assembly Reflector: Metalized polycarbonate Baffle: Painted polycarbonate
Mounting:	New construction with plaster frame (page 3).
Electrical:	Integral high efficiency power supply rated at 50 000 hours, 120V or 120-277V.
Dimming:	Leading edge (TRIAC) and trailing edge (ELV) or 0-10V, down to 15%. 0-10V, down to 1%. Lutron Hi Lume® 1% EcoSystem™ (Soft-on, Fade to Black), down to 1%. Lutron Hi Lume® 1% 2-wire (120V forward phase), down to 1%.
Finish:	Powder coated body and baffle.
Weight:	2.55lbs (1.16kg).
Warranty:	5 year limited warranty.
Rating:	IP54
Certification:	 cULus listed for damp location.

Quick ship: Lead time is 10 working days from written receipt of order. For orders that exceed the maximum quantity (100), please contact our Customer Service for approval. We will do our best to accommodate your needs. All orders received after 3pm EST will be processed the next business day. Standard shipping terms apply.



ORDERING INFO

LOG4 R T NC - _____
FIXTURE

BN - LOG4 R T - NC _____
HOUSING

MODEL

R - Round

MOUNTING

T - Trim

INSTALLATION

NC - new construction
plaster frame

OUTPUT

B - Base Output (15W) **H** - High Output (20.5W)

LED

830 - 3000K, 80 CRI **840** - 4000K, 80 CRI
 930 - 3000K, 90 CRI

OPTIC

ASP - Adjustable, Spot **AFL** - Adjustable, Flood

VOLTAGE

120 - 120V **UNV** - 120-277V

FINISH (trim finish / baffle finish)

White trim **Black trim**
 01 - White / white **02** - Black / black



DIMMING

D10 - 0-10V (down to 15%)(1)(2) **LTE** - Leading edge and trailing edge
(120V only) (down to 15%)(2)

(1) Available for 120-277V (**UNV**) voltage.

(2) Dimming levels will vary depending the dimmer used and the number of luminaires on the line.



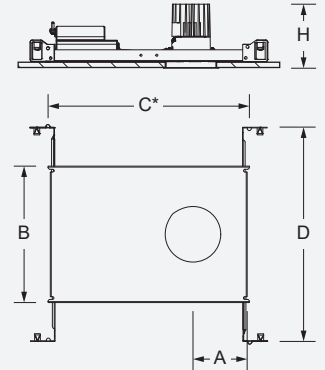
INSTALLATION

New construction with plaster frame (NC)

Plaster frame with hanger bars system to be installed during rough-in phase. Suitable for non-insulated ceiling assemblies, like sheetrock, or paneling. Plaster frame can be shipped separately.

Ceiling thickness: 1/8" to 7/8" (3mm - 22mm)

Total weight: 3.75lbs (1.7kg)



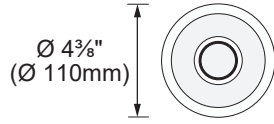
*Provide a minimum of 1 1/8" (46mm) on each side for the hanger bar fixations

Model	Plaster frame	Cut-out dimensions	Cut-out position (A)	Overall dimensions (BxC)	Hanger bars (D)	Clearance (H)
LOG4R	BN-LOG4RT-NC	Ø 4" (Ø 100mm)	3 3/4" (95mm)	8 5/8" x 15 5/8" (219 x 397mm)	14 1/4" to 26" (362 to 660mm)	6 7/8" (175mm)

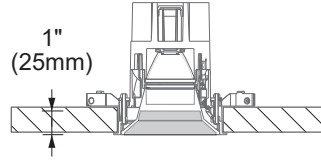


DIMENSIONS

TRIM



BAFFLE DEPTH



LED COLOR FIDELITY DATA

CRI	CCT	R1	R2	R3	R4	R5	R6	R7	R8	R9	R10	R11	R12	R13	R14	R15	Rf	Rg	Melanopic ratio
80	3000K	81	92	96	81	82	90	82	58	5	82	81	73	84	98	-	85	95	0.528
	4000K	82	91	96	82	83	87	86	65	11	78	82	65	85	98	-	85	95	0.694
90	3000K	94	97	99	94	94	96	93	83	62	92	95	84	95	99	-	93	99	0.563

PHOTOMETRIC DATA

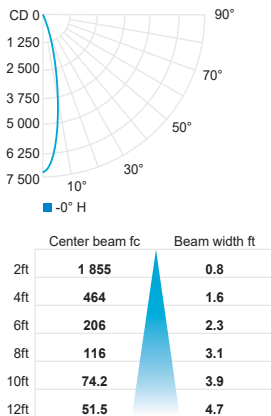
Visit sistemalux.com for complete photometric data.



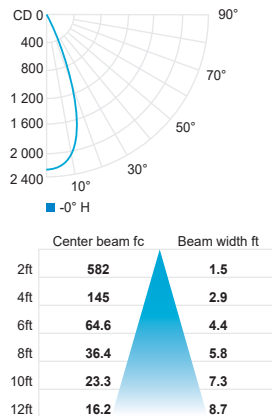
CCT (K)	CRI	OUTPUT	LOAD (W)	OPTIC	LUMENS (lm)	EFFICACY (lm / W)	MAX CANDELA (cd)	MODELS
3000K	80	B	15W	Spot 20°	995	66	5 476	LOG4R-B-ASP
				Flood 40°	758	50	1 722	LOG4R-B-AFL
		H	20.5W	Spot 20°	1 348	65	7 420	LOG4R-H-ASP
				Flood 40°	1 024	49	2 327	LOG4R-H-AFL

***USE MULTIPLIER TABLE BELOW FOR OTHER CCT AND CRI OUTPUT DATA**

H Spot 20° (3000K, 80CRI)



H Flood 40° (3000K, 80CRI)



CCT options	3000K	3000K	4000K
CRI options	80CRI	90CRI	80CRI
Multiplier	1	0.79	1.03