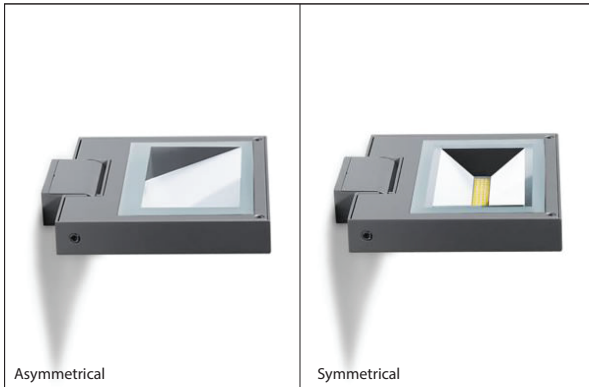


Project name: \_\_\_\_\_

Type: \_\_\_\_\_



Surface slim floodlight projector. It can be used as direct or indirect light and available with asymmetric and symmetric reflector.

**Luminaire characteristics:**

**Power input:** 45.5W

**Lumens:** 2900 lm to 3731 lm

**Luminaire efficacy:** 63 lm/W to 82 lm/W

**Source:** White LED, (LM-80 tested).

3000K: 90CRI.

4000K: 90CRI.

**Lumen maintenance:** >70% of initial lumens at 50 000 hours (L70)

LM-80 (LED) / LM-79 tested.

**Optics:** Asymmetrical or symmetrical flood optic.

**Material:**

Body: Die-cast aluminum.

Reflector: 99.98% pure anodized aluminum.

Diffuser: toughened glass.

Hardware: Stainless steel screws and silicone gaskets.

**Electrical:** See remote LED driver options on page 2.

**Mounting:** Install on a standard 4" junction box or in ground or on pole, using accessories.

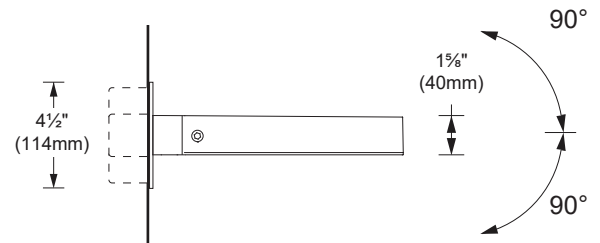
**Finish:** White or aluminum gray.

**Weight:** 9lbs (4.1kg).

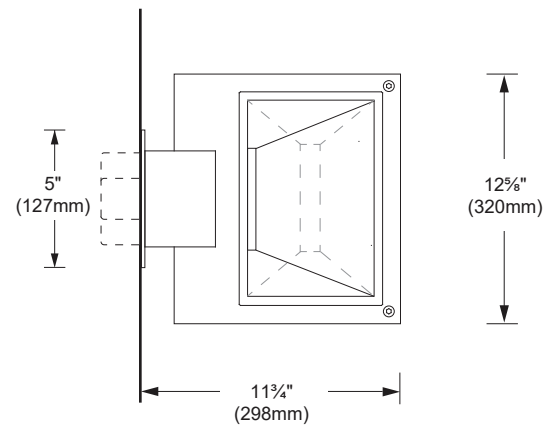
**Warranty:** 5 year limited warranty.

**Certification:** cULus listed for wet location.

**Ratings:** IP 65, IK 10



**SIDE VIEW**



**BOTTOM VIEW**

Project name: \_\_\_\_\_

Type: \_\_\_\_\_

**ORDERING INFO**

| MODEL  | MOUNTING  | ELECTRICAL   | FINISH   |
|--|---|--|--|
| <p><b>MODEL</b></p> <p><input type="radio"/> <b>S3070N</b> - 4000K, Asymmetrical</p> <p><input type="radio"/> <b>S3070W</b> - 3000K, Asymmetrical</p> <p><input type="radio"/> <b>S3075N</b> - 4000K, Symmetrical</p> <p><input type="radio"/> <b>S3075W</b> - 3000K, Symmetrical</p>  | <p><b>MOUNTING</b></p> <p><input type="radio"/> <b>JB</b> - Surface mounted with Jbox</p> | <p><b>ELECTRICAL</b></p> <p><input type="radio"/> <b>REM</b> - 24V remote power supply</p> | <p><b>FINISH</b></p> <p><input type="radio"/> <b>01</b> - White</p> <p><input type="radio"/> <b>14</b> - Aluminum gray</p> |
| <p><b>REMOTE LED DRIVER OPTION (TO BE ORDERED SEPARATELY)</b><br/>Requirement for one (1) fixture: 42W, 24VDC</p> <p><input type="radio"/> <b>4548-0024-025-UNV-ND</b>      <input type="radio"/> <b>4551-0024-080-120-LTE</b></p> <p><input type="radio"/> <b>4448-0024-060-UNV-ND</b>      <input type="radio"/> <b>4448-0024-150-UNV-D10</b></p> <p><input type="radio"/> <b>4545-0024-075-UNV-ND</b>      <input type="radio"/> <b>4546-0024-200-2C-UNV-ND</b></p> |   |  |  |

**ACCESSORIES**  
(TO BE ORDERED SEPARATELY)

- S3049** - Stake for ground installation  
Dim: H:12" (0.26lb)  
Dim: H:310mm (0.12kg)



**REMOTE LED DRIVER OPTIONS (TO BE ORDERED SEPARATELY)**

| Watts | Min-Max                 | Voltage  | Rated   | Dimming protocol                          | Box dimensions                       | Max distance 18AWG    | Code                    |
|-------|-------------------------|----------|---------|---|--------------------------------------|-----------------------|-------------------------|
| 60    | 1                       | 120-277V | Indoor  | None                                      | 10" X 8" X 4"<br>(254 X 203 X 102mm) | 30ft (9m)             | 4448-0024-060-UNV-ND    |
| 75    | 1                       | 120-277V | Outdoor | None                                      | 11" X 3" X 2"<br>(279 X 75 X 51mm)   | 30ft (9m)             | 4545-0024-075-UNV-ND    |
| 80    | 1                       | 120V     | Outdoor | Leading and trailing edge (ELV and TRIAC) | 14" X 5" X 2"<br>(356 X 127 X 51mm)  | 30ft (9m)             | 4551-0024-080-120-LTE   |
| 150   | 1-3                     | 120-277V | Indoor  | 0-10V                                     | 10" X 8" X 4"<br>(254 X 203 X 102mm) | 26ft (8m)             | 4448-0024-150-UNV-D10   |
| 200   | 1-2 Per channel (Max 4) | 120-277V | Outdoor | None                                      | 12" X 5" X 2"<br>(305 X 127 X 51mm)  | 30ft (9m) Per channel | 4546-0024-200-2C-UNV-ND |

\* The total power of all connected luminaires may not be higher than the power of the driver.

DUE TO CONTINUOUS IMPROVEMENTS, THE INFORMATION HEREIN MAY BE CHANGED WITHOUT NOTICE.

LAST UPDATE: August 18, 2022

JP - R6

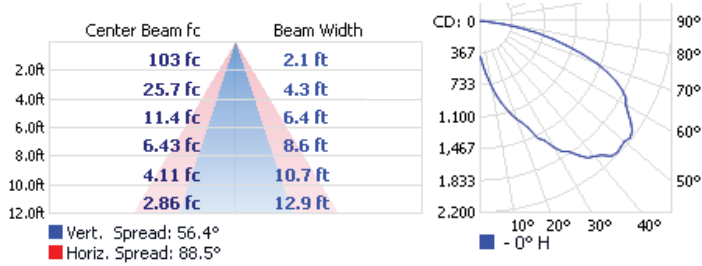
Project name: \_\_\_\_\_

Type: \_\_\_\_\_

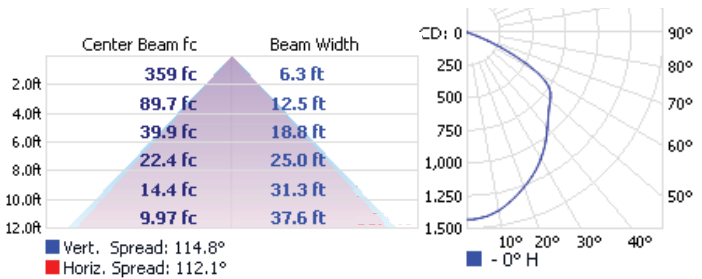
**TECHNICAL DATA**

(Approximate wattage values depending on power supply used)

| LOAD<br>(W) | CCT<br>(K) | CRI | OPTIC        | DELIVERED LUMENS<br>(lm) | LUMINAIRE EFFICACY<br>(lm / w) | CENTER BEAM CANDLE POWER<br>(cd) | MODEL  |
|-------------|------------|-----|--------------|--------------------------|--------------------------------|----------------------------------|--------|
| 45.5W       | 4000K      | 90  | Asymmetrical | 3019                     | 66                             | 2277                             | S3070N |
|             | 3000K      |     |              | 2900                     | 63                             | 2187                             | S3070W |
|             | 4000K      | 90  | Symmetrical  | 3731                     | 82                             | 1495                             | S3075N |
|             | 3000K      |     |              | 3587                     | 78                             | 1438                             | S3075W |



3000K - 90 CRI - Asymmetric



3000K - 90 CRI - Symmetric