

Collection of specification grade downlights for architectural applications. Excellent build quality with features for the most demanding professional applications. Available in five sizes 2", 3", 4", 5", 6" aperture with generous light outputs and excellent chromatic performance. Professional optics available with directional distribution.



OPTIC	BEAM ANGLE	SYSTEM POWER** (W)	OUTPUT (Nominal Luminous Flux)	LUMENS* (lm)	EFFICACY** (lm/W)	MAX CANDELA* (cd)
Spot	20°	27	28 (2800 lm)	2 625	97	13 964
Narrow Flood	30°			2 876	107	9 530
Flood	40°			2 853	106	6 009
Wide Flood	50°			2 492	92	3 485
Fixed Wall Washer			17 (1700 lm)	1 729	64	1 332

* Based on round (R) shape, trim (T) mounting and adjustable (A) optic at 3000K, 90CRI.
For Fixed Wall Washer (FWW) optic, based on round (R) shape and trim (T) mounting at 3000K, 90CRI.
** For products that uses a remote LED driver, the total system power (W) and efficacy (lm/W) vary according to the efficiency of the remote LED driver selected.

Source: COB LED module
2700K: 90CRI
3000K: 90CRI
3500K: 90CRI
4000K: 90CRI

Lumen maintenance: 90% of initial lumens at 50 000 hours (L90, LM-80)

Optic: *Adjustable:* Deep recessed adjustable lens available with different optics. Optical assembly hot-aiming adjustment — 30° tilt and 355° pan.
Fixed: Deep recessed lens available with different optics.
Fixed Wall Washer.

Material: *Body:* Die-cast aluminum optical assembly
Lens: Optical-Grade PMMA
Baffle: Painted polycarbonate

Mounting: *Cut-out:*
• Round - $\bigcirc \varnothing 5'' - \varnothing 5\frac{1}{8}''$ ($\varnothing 127\text{mm} - \varnothing 130\text{mm}$)
• Square - $\square 4\frac{7}{8}'' - \varnothing 5''$ ($\square 124\text{mm} - \square 127\text{mm}$)
Remodel
New construction with plaster frame
(See page 5 for details)

Electrical: High efficiency dimmable LED driver, rated at 50 000 hours. See remote LED driver options.

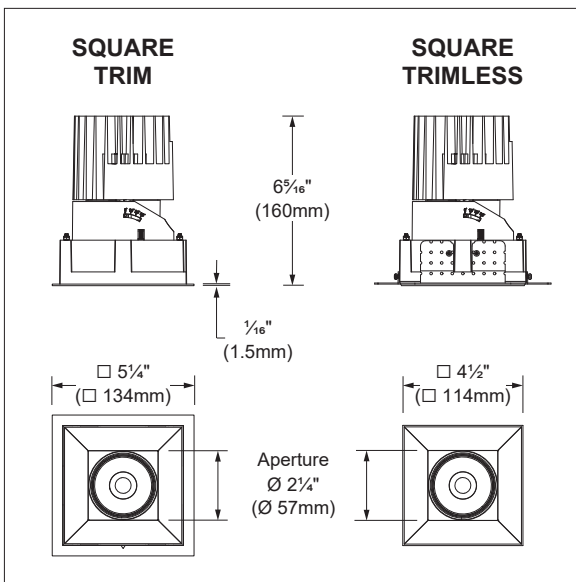
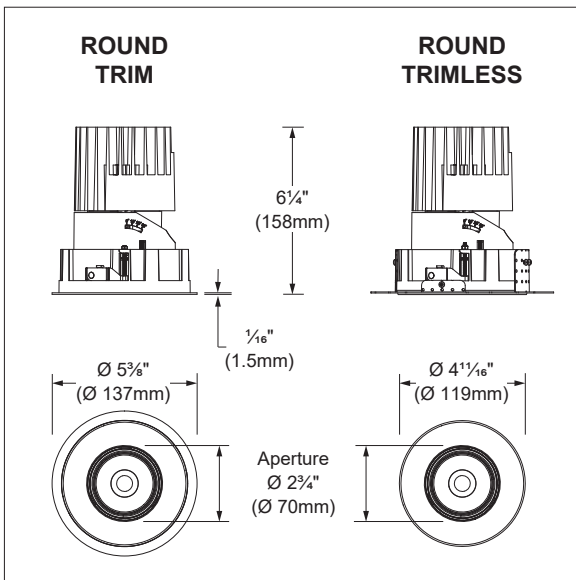
Finish: Powder coated body and baffle
(See page 2 for details).

Weight: 3.8lbs (1.72kg)

Warranty: 5-year limited warranty

Rating: IP20

Certification:  cULus listed for damp location. Interior use only.



ORDERING INFO

[CLICK HERE](#)



PRODUCT CODE

INSTALLATION CODE (SEE PAGE 5)

MODEL	SHAPE	MOUNTING	INSTALLATION	OUTPUT*	LED	OPTIC	VOLTAGE	FINISH (trim finish / baffle finish)
LOGP5 LOGO PRO 5	R Round	T Trim	RF Remodel	17 ² 1700 lm (24W)	927 2700K, 90CRI	ASP Adjustable, Spot (20°)	REM Remote	White trim
	S Square	L Trimless Mud	NC New construction	20 2000 lm (16.5W)	930 3000K, 90CRI	ANF Adjustable, Narrow Flood (30°)		01 ⁴ White / white
		M ¹ Trimless Millwork		22 2200 lm (18W)	935 3500K, 90CRI	AFL Adjustable, Flood (40°)		01 ⁴ White
				24 2400 lm (20W)	940 4000K, 90CRI	AWF Adjustable, Wide Flood (50°)		21 White / black
				26 2600 lm (21.5W)		FSP Fixed, Spot (25°)		13 White / matte anodized
				28 2800 lm (24W)		FNF Fixed, Narrow Flood (30°)		41 ¹ White / gold
						FFL Fixed, Flood (40°)		E4 ¹ White / chrome
						FWF Fixed, Wide Flood (50°)		E7 ¹ White / black chrome
						FWW ³ Fixed, Wall Washer		E9 ¹ White / gold matte
								Black trim
								23 Black / white
								02 Black / black
								33 Black / matte anodized
								42 ¹ Black / gold
								F3 ¹ Black / chrome
								F1 ¹ Black / black chrome
								F4 ¹ Black / gold matte

ACCESSORY

(TO BE ORDERED SEPARATELY)

- 9002-02** - Honeycomb louver
- Available for adjustable (**ASP, ANF, AFL, AWF**) optics



⁽¹⁾ May require a longer lead time than standard. Please contact customer service for details.

⁽²⁾ Fixed wall washer (**FWW**) optic is available only for 1700 lm Nominal Luminous Flux (**17**) Output.

⁽³⁾ Available only for White trim with White baffle (**01**) or Matte anodized baffle (**13**) finish, Trimless with White baffle (**01**) or Matte anodized baffle (**51**) finish.

⁽⁴⁾ For fixed wall washer (**FWW**) optic, it may require a longer lead time.

* Nominal Luminous Flux value at 3000K, 90CRI. Actual performance may vary depending on the installation conditions. Source Power (**W**).

** Dimming levels will vary depending on the dimmer used and the number of luminaires on the line.

REMOTE LED DRIVER OPTIONS (TO BE ORDERED SEPARATELY)

PRODUCT CODE (COMPLETE ON THE PREVIOUS PAGE)

DRIVER BOX MODEL

Indoor rated drivers ¹

Dimming	Driver box model	Min-Max units				
		16.5W* Output 2000 lm	18W* Output 2200 lm	20W* Output 2400 lm	21.5W* Output 2600 lm	24W* Output 2800 lm, Output 1700 lm (FWW)
LTE	4450-0480-020-120-LTE	1				
	4444-0530-025-120-LTE		1			
	4444-0580-027-120-LTE			1		
	4444-0630-029-120-LTE				1	
	4444-0700-032-120-LTE					1
D10	4450-0480-020-UNV-D10	1				
	4450-0530-029-UNV-D10		1			
	4450-0580-031-UNV-D10			1		
	4450-0630-034-UNV-D10				1	
	4450-0700-038-UNV-D10					1
ED10	4450-0480-026-UNV-ED10	1				
	4450-0530-030-UNV-ED10		1			
	4450-0580-030-UNV-ED10			1		
	4450-0630-030-UNV-ED10				1	
	4448-0700-077-UNV-ED10					1-2 (2 outputs)
SD10 (4 outputs)	4448-0480-100-UNV-SD10	1-4				
	4448-0530-100-UNV-SD10		1-4			
	4448-0580-100-UNV-SD10			1-4		
	4448-0630-100-UNV-SD10				1-4	
	4448-0700-100-UNV-SD10					1-4
EDA	4444-0480-020-UNV-EDA	1				
	4450-0530-030-UNV-EDA		1			
	4448-0580-064-UNV-EDA			1		
	4448-0630-070-UNV-EDA				1	
	4450-0700-030-UNV-EDA					1
SDA (4 outputs)	4448-0480-100-UNV-SDA	1-4				
	4450-0530-100-UNV-SDA		1-4			
	4448-0580-100-UNV-SDA			1-4		
	4450-0630-100-UNV-SDA				1-4	
	4448-0700-100-UNV-SDA					1-4

* Wattage requirement for one (1) fixture (remote fixture only). Source Power (W).

REMOTE LED DRIVER OPTIONS (CONTINUED, TO BE ORDERED SEPARATELY)

PRODUCT CODE (COMPLETE ON THE PREVIOUS PAGE)

DRIVER BOX MODEL

Indoor rated drivers ¹

Dimming	Driver box model	Min-Max units				
		16.5W* Output 2000 lm	18W* Output 2200 lm	20W* Output 2400 lm	21.5W* Output 2600 lm	24W* Output 2800 lm, Output 1700 lm (FWW)
CAS**	4448-0480-027-UNV-CAS	1				
	4450-0530-030-UNV-CAS		1			
	4450-0580-030-UNV-CAS			1		
	4450-0630-030-UNV-CAS				1	
	4448-0700-077-UNV-CAS					1-2 (2 outputs)

AWN**	4450-0480-026-UNV-AWN	1				
	4450-0530-030-UNV-AWN		1			
	4450-0580-030-UNV-AWN			1		
	4450-0630-030-UNV-AWN				1	
	4450-0700-030-UNV-AWN					1

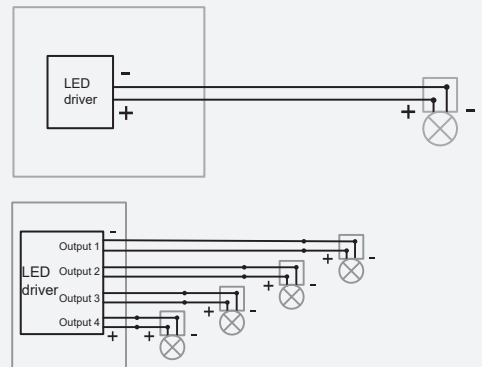
* Wattage requirement for one (1) fixture (remote fixture only). Source Power (W).

** Will be available soon. May require a longer lead time. Please contact customer service for details.

DRIVER BOX MODEL DESCRIPTION

DIMENSION	CONSTANT CURRENT	WATTAGE	VOLTAGE	DIMMING PROTOCOL ²
4444 6" x 4" x 3" (152 x 102 x 76mm)	0480 480mA	020 to 100 20W to 100W	UNV 120-277V	LTE Leading edge and trailing edge (ELV and TRIAC) Max distance: 48m (160ft) ³ (down to 10%) D10 0-10V Max distance: 48m (160ft) ³ (down to 1%) ED10 ⁵ 0-10V eldoLED ECOdrive Max distance: 48m (160ft) ³ (down to 1%) SD10 ⁵ 0-10V eldoLED SOLOdrive Max distance: 48m (160ft) ³ (down to 0.1%) EDA ⁵ DALI eldoLED ECOdrive Max distance: 48m (160ft) ³ (down to 1%) SDA ⁵ DALI eldoLED SOLOdrive Max distance: 48m (160ft) ³ (down to 0.1%) CAS ⁵ Casambi connectivity Max distance: 30m (65ft) ⁴ (down to 1%) AWN ⁶ Athena wireless node connectivity Max distance: 9m (30ft) ⁴ (down to 1%)
4448 10" x 8" x 4" (254 x 203 x 102mm)	0530 530mA			
4450 8" x 8" x 4" (203 x 203 x 102mm)	0580 580mA 0630 630mA 0700 700mA			

WIRING DIAGRAM EXAMPLES



- (1) Luminaires must be connected on separate outputs (1-4). Do not exceed the wattage and voltage range on each output.
- (2) Dimming levels will vary depending on the dimmer used and the number of luminaires on the line.
- (3) Max distance cable calculated for 16AWG cable based on a single lighting fixture. With 18AWG cable, it may have shorter distance (30m / 100ft). Contact customer service for more lighting fixtures or longer remote distance.
- (4) Max distance may be reduced depending on the obstacles such as walls or metal structures.
- (5) May require a longer lead time. Please contact customer service for details.
- (6) Will be available soon. May require a longer lead time. Please contact customer service for details.

INSTALLATION
(TO BE ORDERED SEPARATELY)

Remodel (RF)

Versatile fixture for new or existing ceiling structure. Suitable for non-insulated ceiling like sheetrock or paneling. Fixture is ready for remodeling installation. Trimless frame kit can be shipped separately.

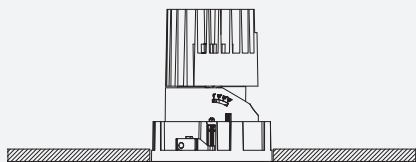
Total weight: 3.8lbs (1.72kg)

Ceiling thickness

- Trim (Round / Square): 1/16" - 1 1/8" (1 - 30mm)
- Trimless Mud (Round / Square): 1/16" - 1 1/8" (1 - 30mm)
- Trimless Millwork (Round / Square): 1/2" - 1" (12.5 - 25mm)

Model	Shape	Mounting	Trimless frame	Cut-out dimensions	Clearance (H)
LOGO PRO 5	Round	Trim		Ø5" (Ø127mm)	8 1/4" (210mm)
		Trimless Mud	TK-LOGP5RL-RF*	Ø5 1/8" (Ø130mm)	
		Trimless Millwork	TK-LOGP5RM-RF*	Ø5 1/8" (Ø130mm)	
	Square	Trim		□4 7/8" (□124mm)	
		Trimless Mud	TK-LOGP5SL-RF*	□5" (□127mm)	
		Trimless Millwork	TK-LOGP5SM-RF*	□4 7/8" (□124mm)	

*Can be installed from below the ceiling.



New construction with plaster frame (NC)

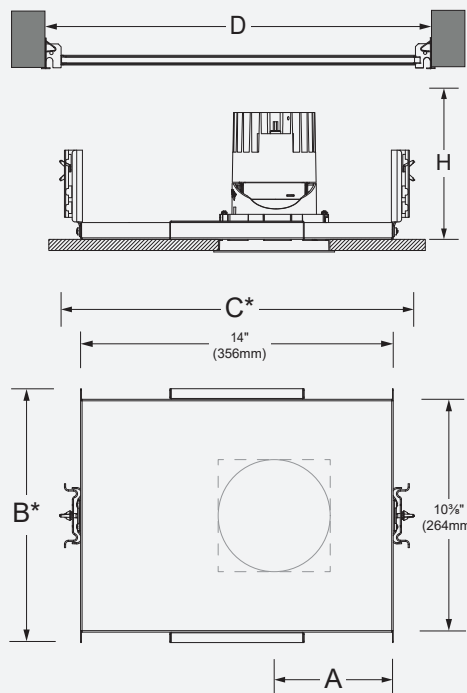
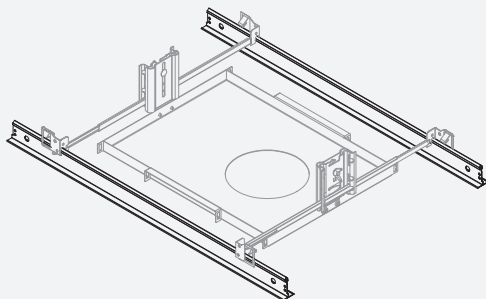
Plaster frame with hanger bars system to be installed during rough-in phase. Suitable for non-insulated new construction ceiling assemblies, like sheetrock, or paneling. Plaster frame and trim can be shipped separately.

Total weight: 5lbs (2.27kg)

Ceiling thickness

- Trim (Round / Square): 1/16" - 1 1/8" (1 - 29mm)
- Trimless Mud (Round / Square): 1/16" - 1 1/8" (1 - 29mm)
- Trimless Millwork (Round / Square): 1/2" - 1 1/8" (12.5 - 24mm)

Hanger bars suitable for Grid ceiling



Model	Shape	Mounting	Plaster frame	Cut-out dimensions	Cut-out position (A)	Max overall dimensions (B*xC*)	Hanger bars (D)	Clearance (H)
LOGO PRO 5	Round	Trim	BN-LOGP5RT-NC-REM	Ø5" (Ø127mm)	5 1/8" (135mm)	11 1/16" x 15 13/16" (288 x 402mm)	14 1/4" to 26" (362 to 660mm)	8 1/4" (210mm)
		Trimless Mud	BN-LOGP5RL-NC-REM	Ø5 1/8" (Ø130mm)				
		Trimless Millwork	BN-LOGP5RM-NC-REM	Ø5 1/8" (Ø130mm)				
	Square	Trim	BN-LOGP5ST-NC-REM	□4 7/8" (□124mm)				
		Trimless Mud	BN-LOGP5SL-NC-REM	□5" (□127mm)				
		Trimless Millwork	BN-LOGP5SM-NC-REM	□4 7/8" (□124mm)				

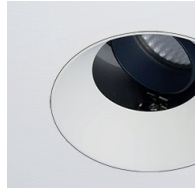
*Provide a minimum of 1 1/8" (47mm) on each side for the hanger bar fixations

MODEL

ROUND TRIM



ROUND TRIMLESS



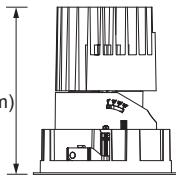
SQUARE TRIM



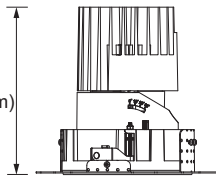
SQUARE TRIMLESS



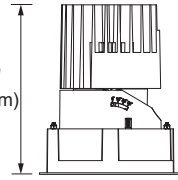
6 1/4"
(158mm)



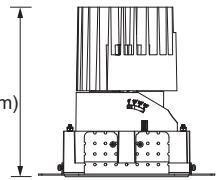
6 1/4"
(158mm)



6 5/8"
(160mm)



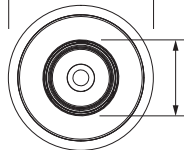
6 5/8"
(160mm)



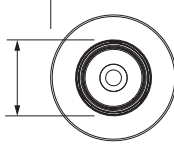
1/16"
(1.5mm)

1/16"
(1.5mm)

Ø 5 3/8"
(Ø 137mm)

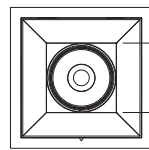


Ø 4 1/16"
(Ø 119mm)

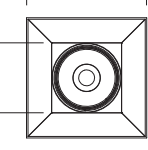


Aperture
Ø 2 3/4"
(Ø 70mm)

□ 5/4"
(□ 134mm)



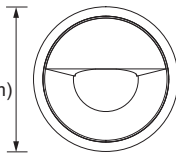
□ 4 1/2"
(□ 114mm)



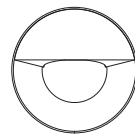
Aperture
Ø 2 1/4"
(Ø 57mm)

Wall Washer

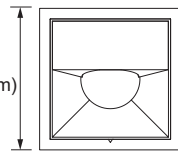
Ø 5 3/8"
(Ø 137mm)



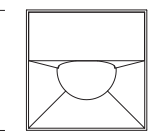
Ø 4 1/16"
(Ø 119mm)



□ 5/4"
(□ 134mm)

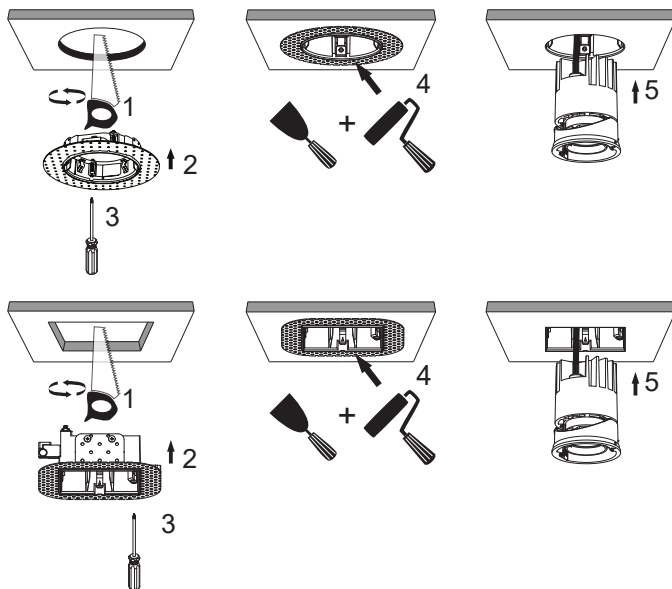


□ 4 1/2"
(□ 114mm)



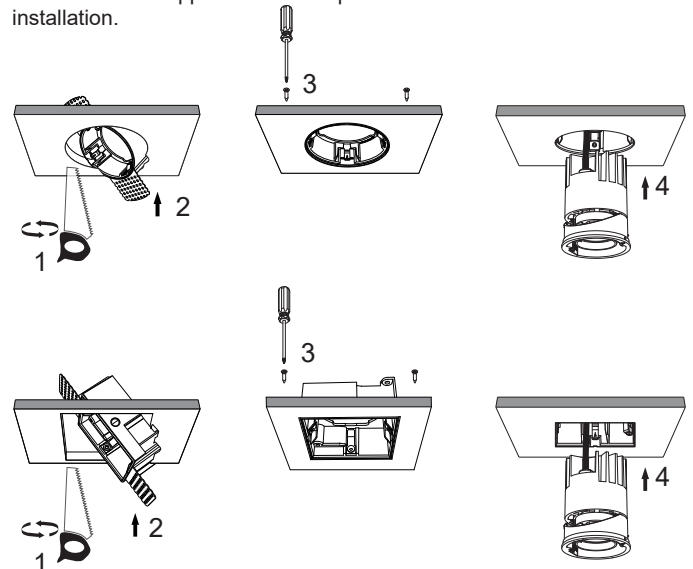
TRIMLESS MUD FRAME KIT

Trimless mud frame kit to be fastened to the gypsum board. The assembly is then finished by plastering, sanding and painting. Install the luminaire inside the opening once painting is completed. The kit is sold separately for retrofit installation or supplied with the plaster frame for new construction installation.



TRIMLESS MILLWORK FRAME KIT

Trimless millwork frame kit to be fastened to the ceiling. Install the luminaire inside the opening once the trimless millwork frame kit installation is completed. The kit is sold separately for retrofit installation or supplied with the plaster frame for new construction installation.



PHOTOMETRIC DATA ¹

Visit sistemalux.com for complete photometric data.

ADJUSTABLE



CCT (K)	CRI	SYSTEM POWER* (W)	OUTPUT (Nominal Luminous Flux)	OPTIC	LUMENS ² (lm)	EFFICACY* (lm/w)	MAX CANDELA ² (cd)	MODELS (Round, Adjustable)
3000	90	27	28 (2800 lm)	Spot (20°/25°)	2 625	97	13 964	LOGP5R-ASP
				Narrow Flood (30°)	2 876	107	9 530	LOGP5R-ANF
				Flood (40°)	2 853	106	6 009	LOGP5R-AFL
				Wide Flood (50°)	2 492	92	3 485	LOGP5R-AWF

* For products that uses a remote LED driver, the total system power (W) and efficacy (lm/W) vary according to the efficiency of the remote LED driver selected. Use multiplier table for other CCT and CRI output data. Efficacy based on IESNA LM-79 test reports. Visit www.sistemalux.com for complete photometric data.

FIXED WALL WASHER



CCT (K)	CRI	SYSTEM POWER* (W)	OUTPUT (Nominal Luminous Flux)	OPTIC	LUMENS ³ (lm)	EFFICACY* (lm/w)	MAX CANDELA ³ (cd)	MODELS (Round)
3000	90	27	17 (1700 lm)	Fixed Wall Washer	1 729	64	1 332	LOGP5R-FWW

* For products that uses a remote LED driver, the total system power (W) and efficacy (lm/W) vary according to the efficiency of the remote LED driver selected. Use multiplier table for other CCT and CRI output data. Efficacy based on IESNA LM-79 test reports. Visit www.sistemalux.com for complete photometric data.

*** USE MULTIPLIER TABLE FOR OTHER CCT OUTPUT DATA ¹**

CCT options	2700K	3000K	3500K	4000K
CRI options	90CRI	90CRI	90CRI	90CRI
Multiplier	0.97	1	1.01	1.03

*** USE MULTIPLIER TABLE FOR OTHER LUMEN OUTPUT DATA ¹**

Target lumen ⁴	2000 lm	2200 lm	2400 lm	2600 lm	2800 lm
Multiplier	0.72	0.78	0.84	0.91	1

⁽¹⁾ Please contact customer service for details.

⁽²⁾ Based on round (R) shape, trim (T) mounting and adjustable (A) optic.

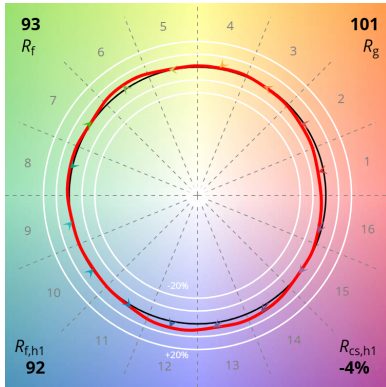
⁽³⁾ Based on round (R) shape and trim (T) mounting.

⁽⁴⁾ Approximate lumen value, the fixture is configured to deliver under nominal conditions based on selected drive current.

* For the Square version, lumen output may differ from the Round version. Please refer to the IES files available on the website for detailed information.

LED COLOR FIDELITY DATA

COLOR VECTOR GRAPH



LOCAL COLOR FIDELITY

