



NANOLED is a walk over inground luminaire providing either well defined accent lighting or evocative markers. The main feature of this in-ground luminaire is its extremely reduced dimensions. The lighting body is completely manufactured to ensure a high corrosion resistance and has no visible screws. Reduced energy consumption and high lighting performances complete the profile of this recessed spotlight.

Luminaire characteristics:

Power input: 0.8W (system wattage)
Lumens: 56lm or 61lm (for 3000K, 90CRI)
Luminaire efficacy: Up to 76lm/W

Source:	LUXEON LED module (LM-80) 2700K: 90CRI, 3000K: 90CRI, 4000K: 80CRI.
Lumen maintenance:	80% of initial lumens at 70 000 hours (L80), (LM-79).
Optics:	Spot and narrow flood with transparent diffuser.
Material:	Body: Polycarbonate body with stainless steel trim. Diffuser: Clear polycarbonate Back box: Polypropylene
Mounting:	Inground installation using a polypropylene back box. Supplied with 16'(5m) cabtyre. Longer cords available on request. Separate waterproof wiring box to be provided by the contractor. 12" of gravel is required below the luminaire to allow proper drainage.
Electrical:	High efficiency LED driver, rated at 50 000 hours. See remote LED driver options on page 2.
Finish:	Stainless steel.
Weight:	1.54lb (0.7kg)
Load capacity:	1102lb (500kg)
Contact temperature:	104°F (40°C)
Operating temperature:	-4°F to 122°F (-20°C to 50°C)
Warranty:	5 year limited warranty.
Ratings:	IP65, IP67, IK08
Certification:	cULus listed for wet location.



ORDERING INFO



PRODUCT CODE		BACKBOX	
<input type="text"/>	<input type="text"/>	<input type="text"/>	<input type="text"/>
MODEL	LED	VOLTAGE	FINISH
S3340 Round walk-over Spot 14°	H 2700K, 90CRI	REM Remote	19 Stainless steel
S3364 Round walk-over Narrow flood 29°	W 3000K, 90CRI		
	N 4000K, 80CRI		

REMOTE LED DRIVER OPTIONS (TO BE ORDERED SEPARATELY)

PRODUCT CODE DRIVER CODE

Outdoor rated drivers

Driver box model	Min-max units
	0.5W*
4545-0024-075-UNV-ND	1-90
4549-0024-075-UNV-D10	1-90
4551-0024-080-120-LTE	40-96

Indoor rated drivers

Driver box model	Min-max units
	0.5W*
4444-0024-020-120-ND	1-28
4449-0024-060-UNV-D10	1-72

* Wattage requirement for one (1) fixture (Remote fixture only).

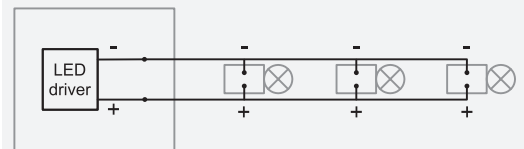
Driver code example

XXXX	-0024	-XXX	-XXX	-XXX
MODEL	CONSTANT VOLTAGE	WATTAGE	VOLTAGE	DIMMING PROTOCOL
4444 6" x 4" x 3" (152 x 102 x 76mm)	0024 24V	020 to 080 20W to 80W	120 120V UNV 120-277V	ND No dimming Max distance: 6m (20ft)** D10 0-10V Max distance: 6m (20ft)** (down to 10%) LTE Leading edge and trailing edge (ELV and TRIAC) Max distance: 6m (20ft)** (down to 15%)

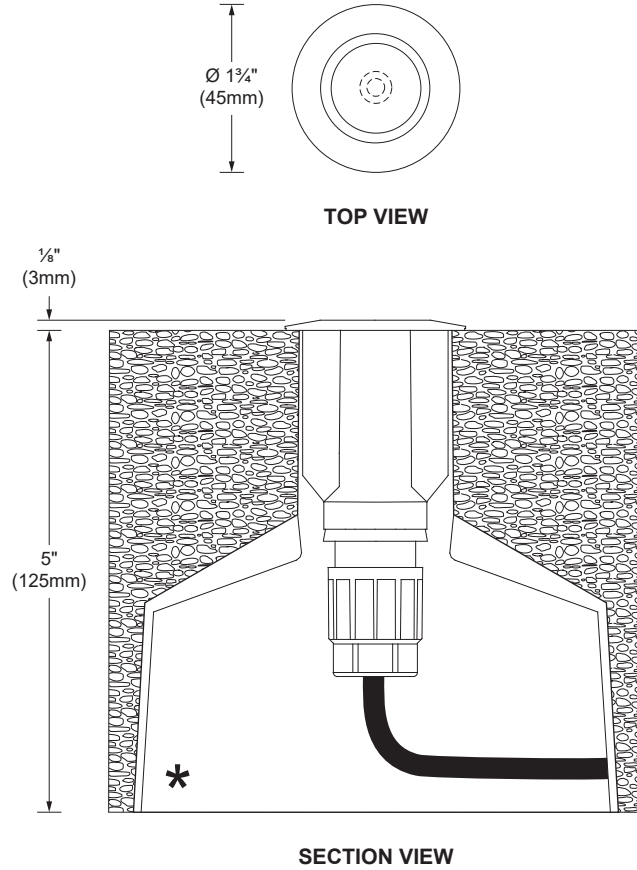
** Max distance cable calculated for 16AWG cable. Contact customer service for longer remote distance.

WIRING DIAGRAMS

Multiple luminaires must be connected in parallel.



DIMENSIONS



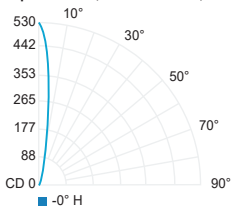
*Supplied with back box : CAS3230

PHOTOMETRIC DATA

CCT (K)	CRI	LOAD (W)	OPTIC	LUMENS (lm)	EFFICACY (lm / W)	MAX CANDELA (cd)	MODELS
3000K	90	0.8W	Spot 14°	56	70	524	S3340W
			Narrow flood 29°	61	76	165	S3364W

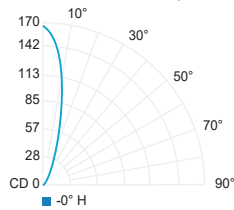
*For products that uses a remote led driver, total system wattage will varies according to the efficacy of the remote led driver selected. For this reason, the load and efficacy values given in the table above refers to the led source only and does not include the led driver consumption.

Spot 14° (3000K, 90CRI)



Center beam fc	Beam width ft
12ft 3.65	2.8
10ft 5.25	2.4
8ft 8.20	1.9
6ft 14.6	1.4
4ft 32.8	0.9
2ft 131	0.5

Narrow flood 29° (3000K, 90CRI)



Center beam fc	Beam width ft
12ft 1.15	6.2
10ft 1.65	5.2
8ft 2.58	4.1
6ft 4.59	3.1
4ft 10.8	2.1
2ft 41.3	1.0

CCT options	2700K	3000K	4000K
CRI options	90CRI	90CRI	80CRI
Multiplier	0.89	1	1.05