

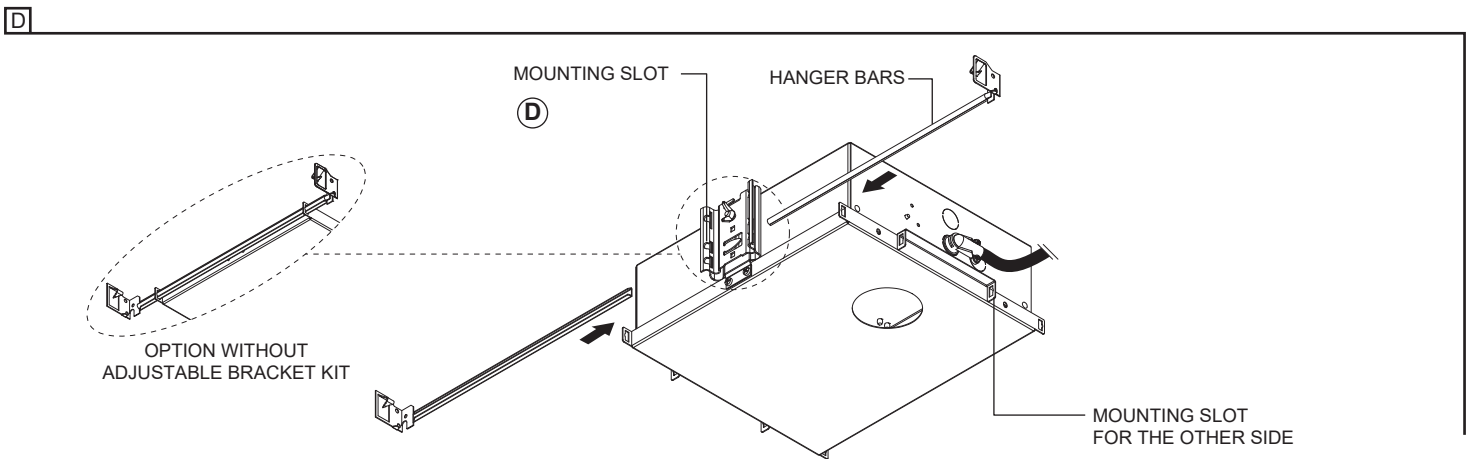
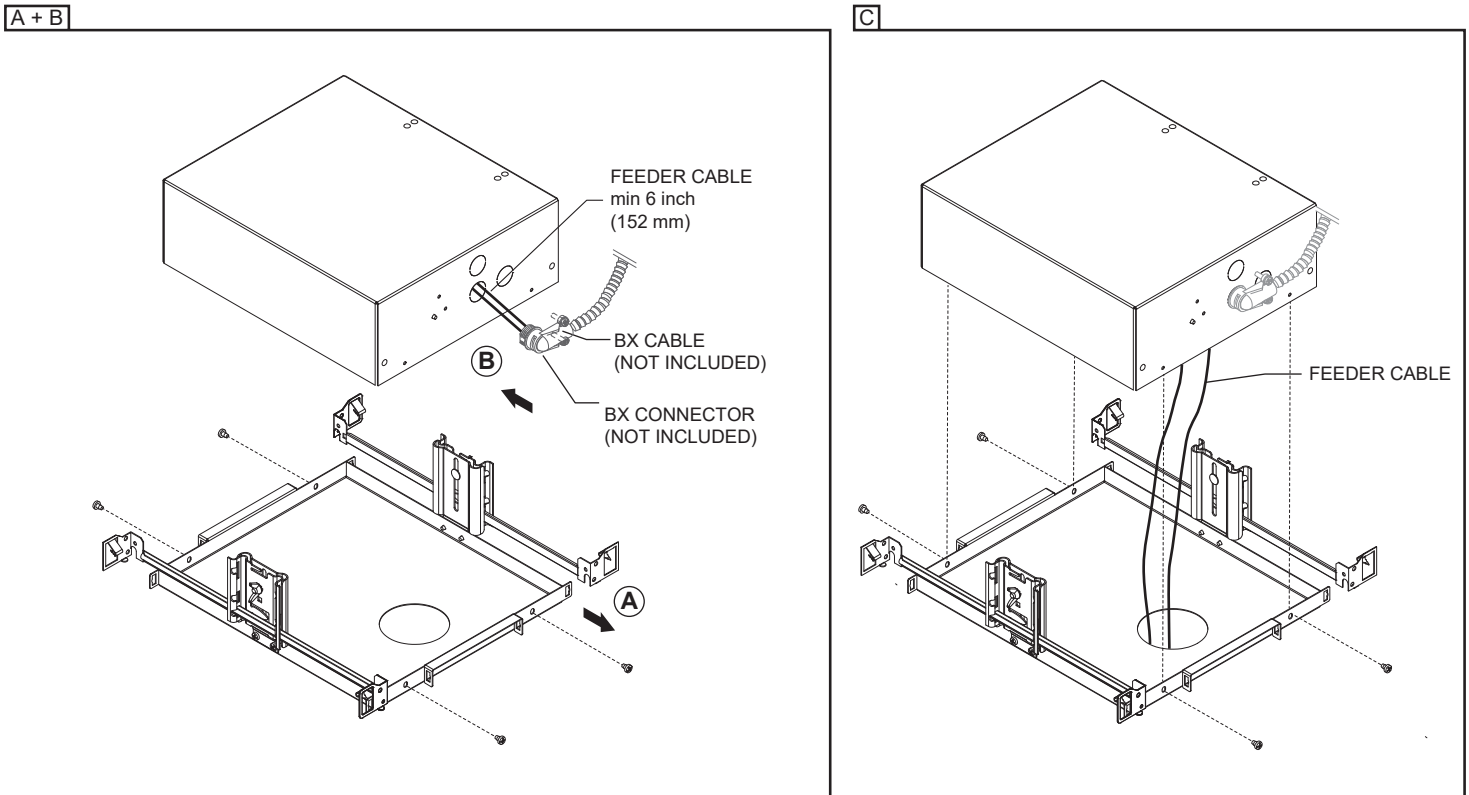
IMPORTANT - READ CAREFULLY BEFORE INSTALLING FIXTURE. RETAIN THESE INSTRUCTIONS FOR FUTURE REFERENCE. THIS PRODUCT MUST BE INSTALLED IN ACCORDANCE WITH THE NATIONAL ELECTRICAL CODE AND ALL APPLICABLE LOCAL CODES, BY A PERSON FAMILIAR WITH THE CONSTRUCTION AND OPERATION OF THE PRODUCT, AND THE HAZARDS INVOLVED. PROPER GROUNDING IS REQUIRED FOR SAFETY.

INSULATED CEILING OR AIRTIGHT INSTALLATION (IC / CP / AT* - REMOTE)

PAGE 1-2

* Airtight box option (AT) will be available soon

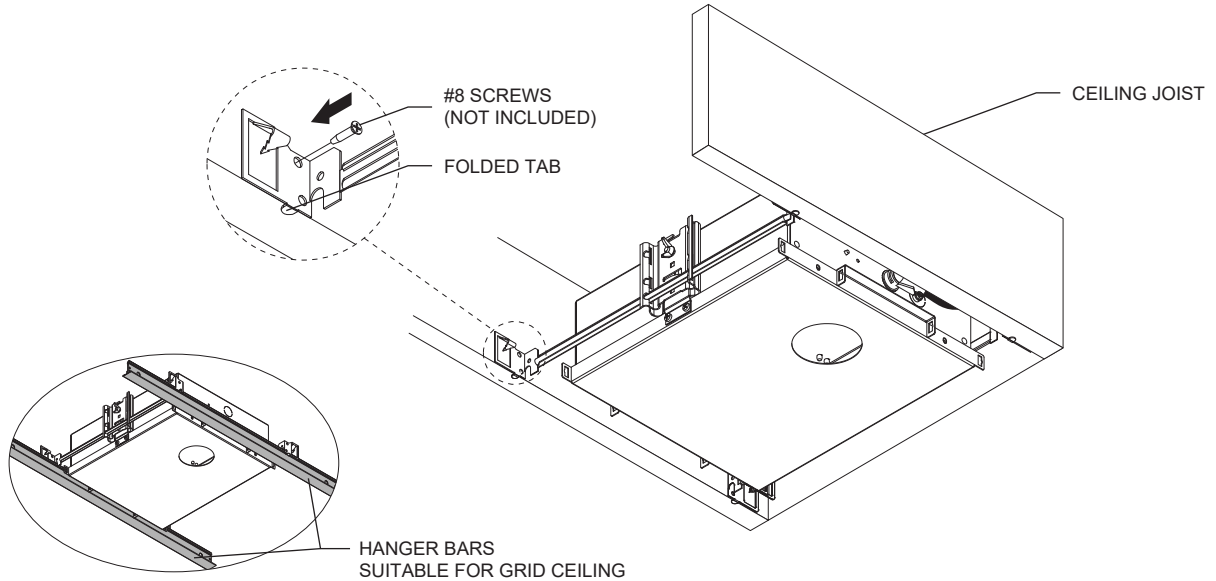
- A - REMOVE (4) PHILLIPS SCREWS IN ORDER TO OPEN HOUSING.
- B - FOR INSULATED CEILING (IC) INSTALLATION: INSTALL BX CABLE (NOT INCLUDED) USING BX CONNECTOR (INCLUDED).
FOR CHICAGO PLENUM (CP) INSTALLATION: REMOVE THE KNOCKOUT, INSTALL A CONDUIT AND A CONDUIT CONNECTOR (NOT INCLUDED).
FOR AIRTIGHT (AT) INSTALLATION: REMOVE THE KNOCKOUT, INSTALL AN AIRTIGHT CONDUIT AND A CONDUIT CONNECTOR (NOT INCLUDED).
- C - CLOSE THE HOUSING BY SCREWING THE (4) PHILLIPS SCREWS PREVIOUSLY REMOVED (A). LEAVE AT LEAST 6" (152mm) OF FEEDER CABLE ACCESSIBLE FROM UNDER THE CEILING.
- D - ENGAGE (4) HANGER BARS IN HOUSING SLOTS AVAILABLE AND CONNECT THEM TOGETHER.



TRIM & TRIMLESS MODELS : LOGP3 - R / S - IC / CP / AT - REMOTE

- E - FASTEN HANGER BARS TO CEILING BRACE WITH #8 SCREWS (**NOT INCLUDED**). USE THE SMALL FOLDED TAB AT THE END OF THE BARS TO ALIGN WITH THE CEILING JOISTS. HANGER BARS ARE ALSO SUITABLE FOR GRID CEILING.
- F - INSTALL THE DRYWALL AND MAKE THE CUT-OUT OPENING (**SEE DIMENSIONS BELOW**).
- G - USE ONLY WITH CLASS 2 POWER SUPPLY

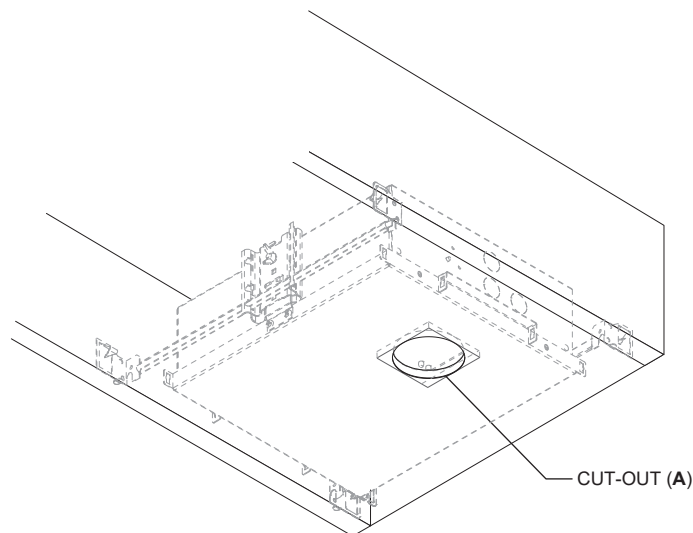
E



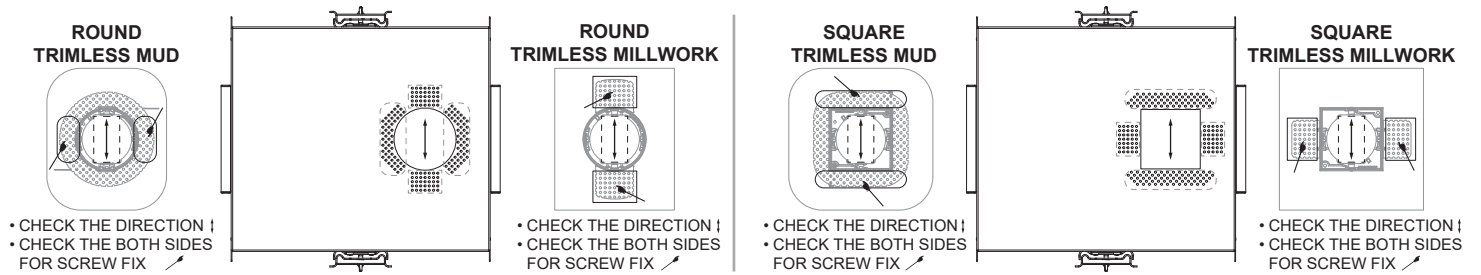
F

Model	Shape	Mounting	Housing	Cut-out dimensions (A)	Ceiling Thickness	Clearance (H)
LOGP3R	Round	Trim	BI-LOGP3RT-IC/CP/AT*-REM	Ø 2¾" (Ø 70mm)	¾" - 1½" (5 - 24mm)	4" (100mm)
		Trimless Mud	BI-LOGP3RL-IC/CP/AT*-REM	Ø 2⅞" (Ø 73mm)	¾" - 1½" (5 - 24mm)	6½" (165mm)
		Trimless Millwork	BI-LOGP3RM-IC/CP/AT*-REM	Ø 2⅞" (Ø 73mm)	½" - 7⁄8" (2 - 21.5mm)	6½" (165mm)
LOGP3S	Square	Trim	BI-LOGP3ST-IC/CP/AT*-REM	2⅞" x 2⅞" (68 x 68mm)	¾" - 1½" (1 - 24mm)	4" (100mm)
		Trimless Mud	BI-LOGP3SL-IC/CP/AT*-REM	2¾" x 2¾" (70 x 70mm)	¾" - 1½" (1 - 24mm)	6½" (165mm)
		Trimless Millwork	BI-LOGP3RM-IC/CP/AT*-REM	2⅞" x 2⅞" (68 x 68mm)	½" - 7⁄8" (12.5 - 21.5mm)	6½" (165mm)

* Airtight box option (AT) will be available soon



TRIMLESS KIT INSTALLATION (Before Fixture Installation if applicable)



⚠ IMPORTANT: INSTALL TRIMLESS KIT IN THE CORRECT ORIENTATION TO ALLOW THE DRIVER TO PASS THROUGH AND FIT INSIDE THE INSULATION BOX.

ROUND TRIMLESS MUD:

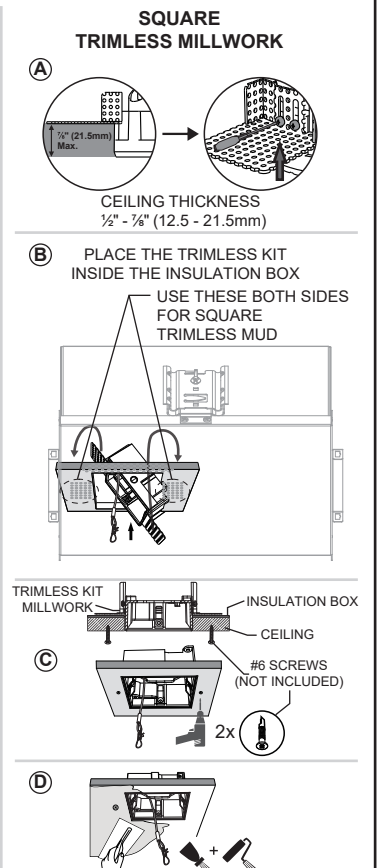
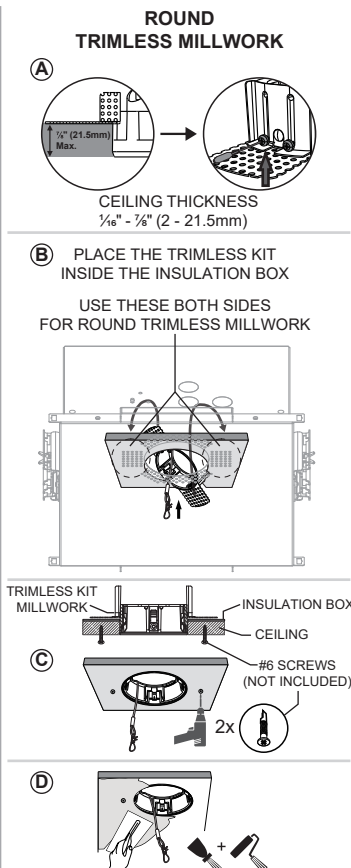
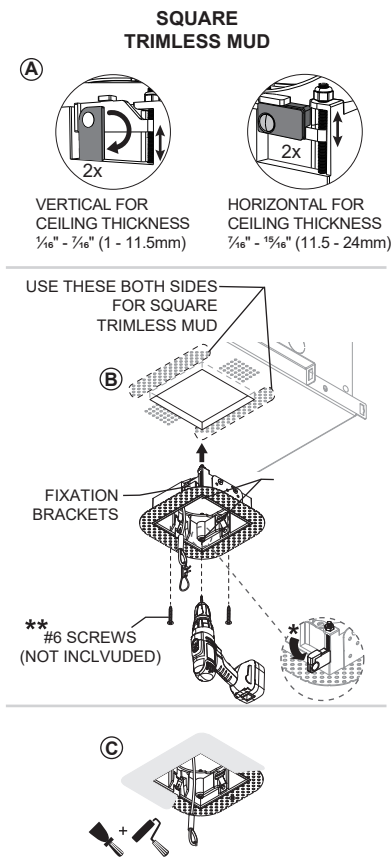
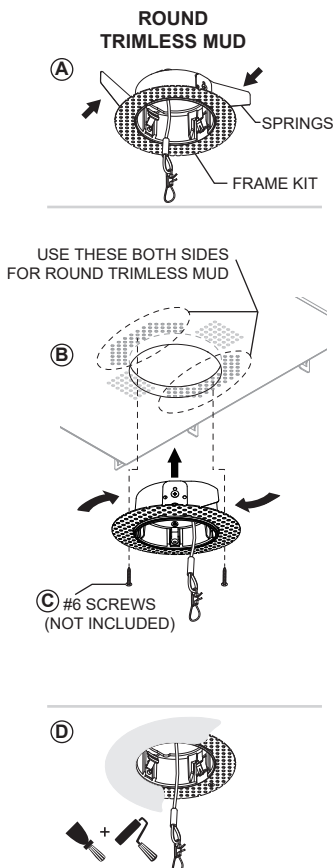
- A - BEND AND HOLD THE SPRINGS AGAINST THE TRIM KIT.
- B - ROTATE IN THE SPECIFIED DIRECTION (**SEE BELOW**) WHILE PUSHING UPWARD TO INSERT THE TRIM KIT INTO THE CEILING.
- C - SECURE THE TRIMLESS KIT TO THE CEILING USING (2x) #6 SCREWS (**NOT INCLUDED**).
- D - FINISH THE ASSEMBLY BY PLASTERING, SANDING AND PAINTING.

SQUARE TRIMLESS MUD:

- A - CHOOSE THE BRACKET DIRECTION (VERTICAL OR HORIZONTAL) DEPENDING ON THE CEILING THICKNESS.
- B - INSERT THE TRIMLESS KIT INTO THE CEILING. TO HOLD THE KIT IN THE CEILING, ADJUST THE (2x) FIXATION BRACKET ADJUSTMENT SCREWS WITH A DRILL (**RECOMMENDED**).
* THE BRACKETS WILL OPEN AUTOMATICALLY WHILE SCREWING.
** FOR BETTER FIXATION (IF NEEDED), SECURE THE TRIMLESS KIT TO THE CEILING USING (2x) #6 SCREWS (**NOT INCLUDED**)
- C - FINISH THE ASSEMBLY BY PLASTERING, SANDING AND PAINTING.

ROUND / SQUARE TRIMLESS MILLWORK:

- A - ADJUST BRACKET POSITION DEPENDING ON THE CEILING THICKNESS.
- B - POSITION THE TRIMLESS KIT IN THE CEILING (INSIDE THE INSULATION BOX).
- C - SECURE THE TRIMLESS KIT TO THE CEILING USING (2x) #6 SCREWS (**NOT INCLUDED**).
- D - FINISH THE ASSEMBLY BY PLASTERING, SANDING AND PAINTING.

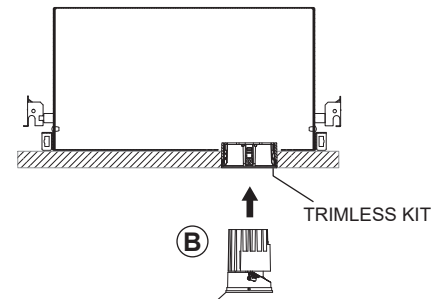
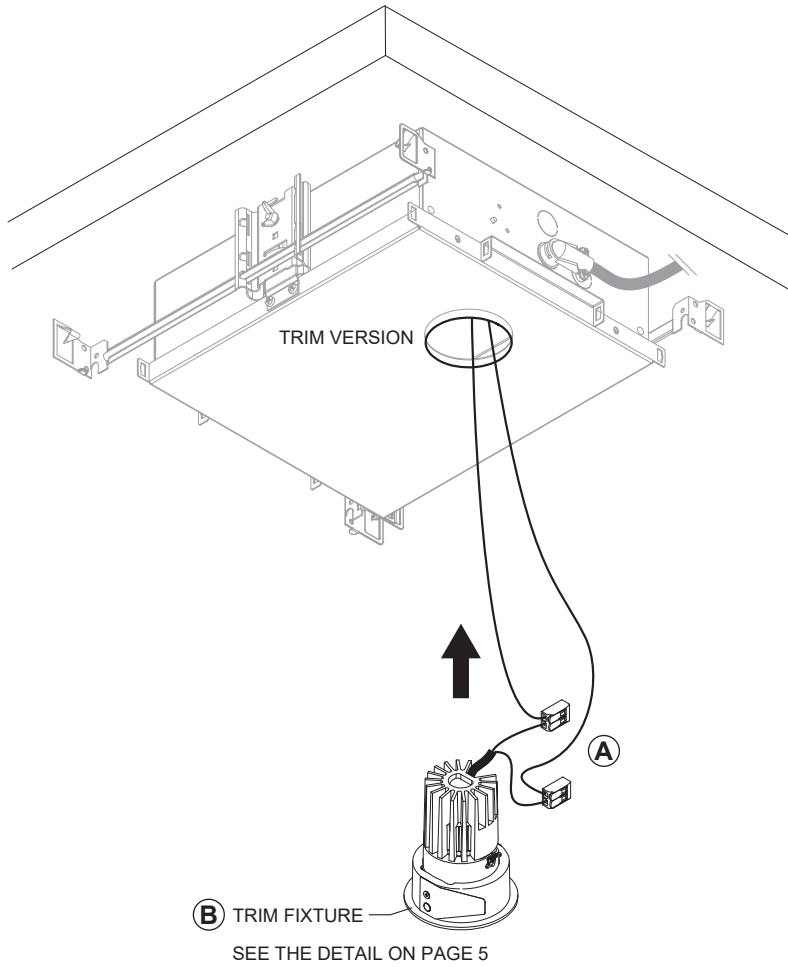


FIXTURE INSTALLATION

- A - MAKE ALL NECESSARY CONNECTIONS USING THE QUICK CONNECTORS (INCLUDED).
- B - SEE THE DETAIL ON PAGE 5 FOR EACH CONFIGURATION.

A + B

FEED BY CLASS 2 POWER SUPPLY



FOR TRIMLESS FIXTURE,
WITHOUT BAFFLE FIRST.
SEE THE DETAIL ON PAGE 5.

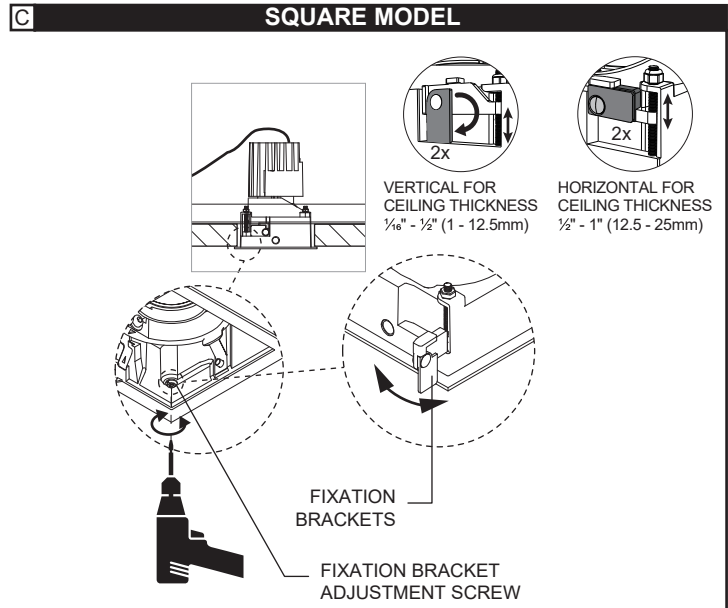
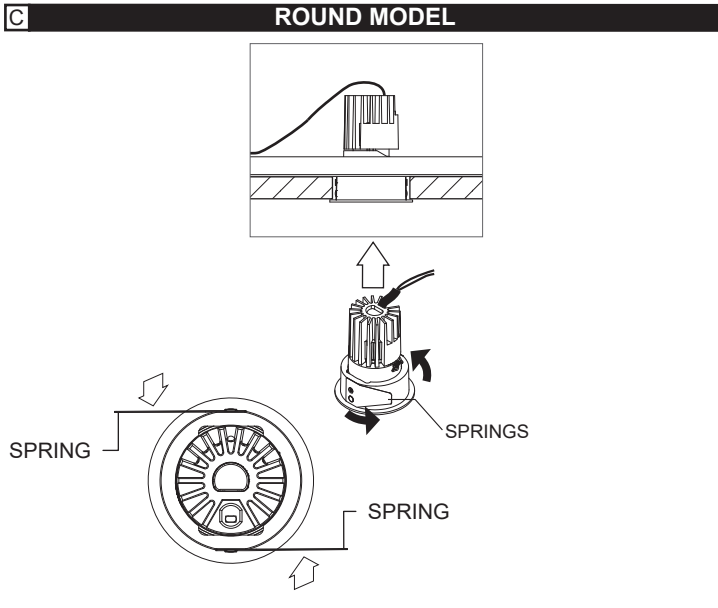
WIRING DIAGRAM



TRIM VERSION (ROUND / SQUARE)

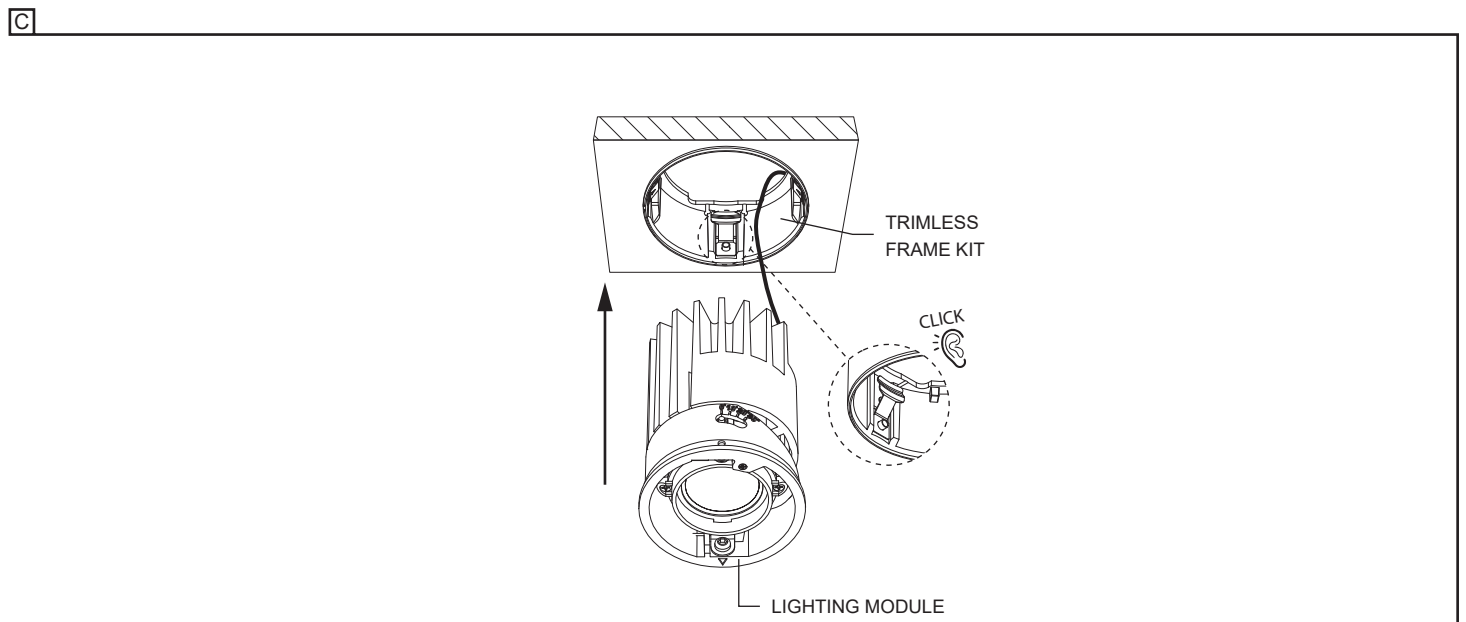
* FOLLOWING STEPS **A** TO **B** FROM PREVIOUS PAGE
 C- BEND AND HOLD THE (2) SPRINGS AGAINST FIXTURE BODY.
 AND ROTATE IN THE SPECIFIED DIRECTION (**SEE BELOW**)
 WHILE PUSHING UPWARD TO INSERT THE TRIM KIT INTO
 THE CEILING.

* FOLLOWING STEPS **A** TO **B** FROM PREVIOUS PAGE
 C- CHOOSE THE BRACKET DIRECTION (VERTICAL OR HORIZONTAL)
 DEPENDING ON THE CEILING THICKNESS. INSERT THE TRIM KIT
 INTO THE CEILING. TO HOLD THE KIT IN THE CEILING, ADJUST
 THE (2x) FIXATION BRACKET ADJUSTMENT SCREWS WITH A
 DRILL (**RECOMMENDED**).
 * THE BRACKETS WILL OPEN AUTOMATICALLY WHILE SCREWING.



TRIMLESS VERSION (ROUND / SQUARE – THE INSTALLATION DETAIL ON PAGE 3)

* ENSURE THE TRIMLESS KIT IS PROPERLY INSTALLED (SEE PAGE 3)
 * FOLLOWING STEPS **A** TO **B** FROM PREVIOUS PAGE
 C- INSERT LIGHTING MODULE INTO THE FRAME KIT UNTIL IT CLICKS IN PLACE.



OPTICAL ADJUSTMENT AND FINAL ASSEMBLY

D- THE OPTICAL ORIENTATION CAN BE MANUALLY ADJUSTED UP TO 30°(IF NECESSARY).

E- INSERT THE BAFFLE INTO THE TRIM UNTIL IT CLICKS SECURELY INTO PLACE.

