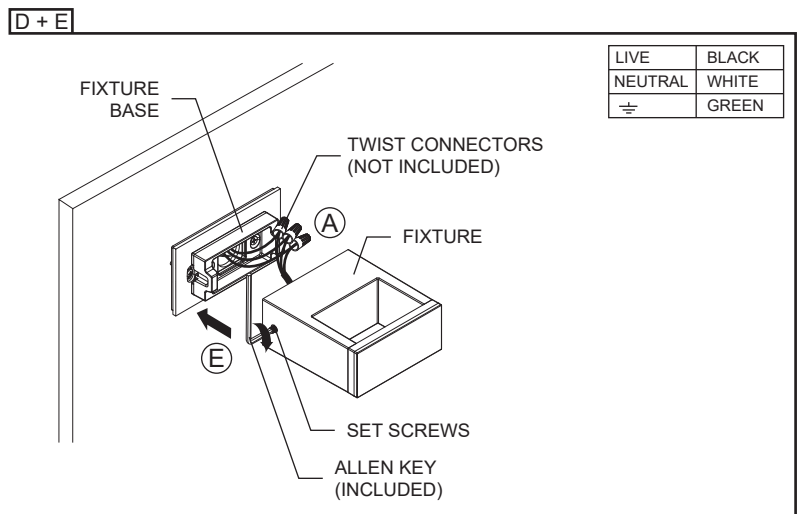
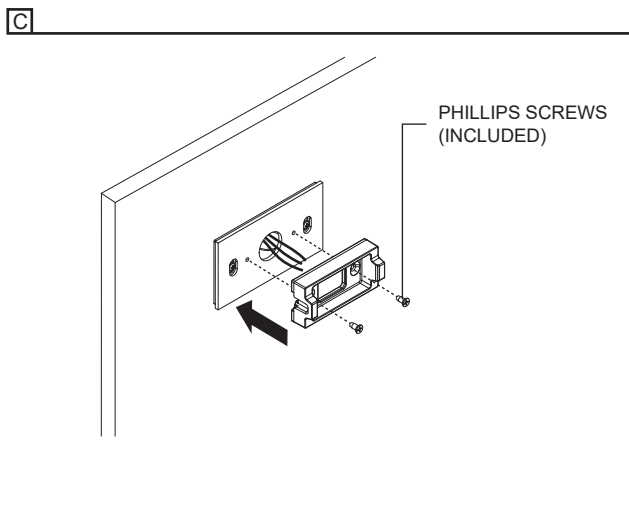
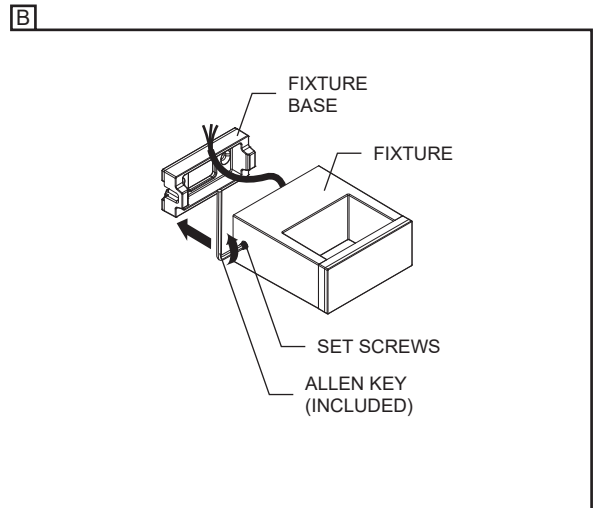
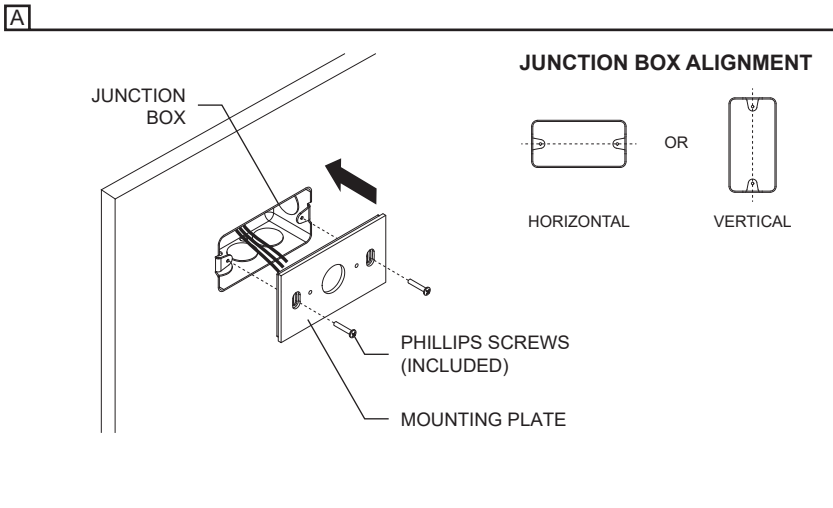


IMPORTANT - READ CAREFULLY BEFORE INSTALLING FIXTURE. RETAIN THESE INSTRUCTIONS FOR FUTURE REFERENCE.
 THIS PRODUCT MUST BE INSTALLED IN ACCORDANCE WITH THE NATIONAL ELECTRICAL CODE AND ALL APPLICABLE LOCAL CODES, BY A PERSON FAMILIAR WITH THE CONSTRUCTION AND OPERATION OF THE PRODUCT, AND THE HAZARDS INVOLVED. PROPER GROUNDING IS REQUIRED FOR SAFETY.

2" JUNCTION BOX INSTALLATION (J2) - INTEGRAL DRIVER 120-277V (UNV)

- A- INSTALL THE MOUNTING PLATE ON THE 2" JUNCTION BOX USING (2) PHILLIPS SCREWS (INCLUDED).
 MAKE SURE THE JUNCTION BOX IS PROPERLY ALIGNED.
- B- UNFASTEN THE SET SCREWS WITH AN ALLEN KEY (INCLUDED) AND DISCONNECT THE QUICK CONNECTOR TO REMOVE THE FIXTURE FROM THE BASE. DO NOT COMPLETELY REMOVE THE SET SCREWS.
- C- SCREW THE FIXTURE BASE TO THE MOUNTING PLATE USING (2) PHILLIPS SCREWS(INCLUDED).
- D- MAKE WIRE CONNECTIONS (FOLLOWING POLARITY MARKING) USING TWIST CONNECTORS (NOT INCLUDED)
- E- FASTEN THE FIXTURE ON ITS BASE WITH THE SET SCREWS WITH AN ALLEN KEY (INCLUDED).



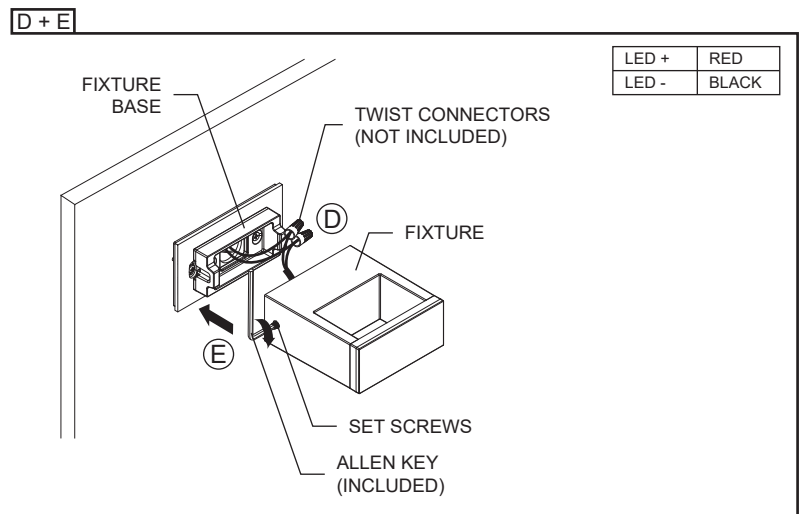
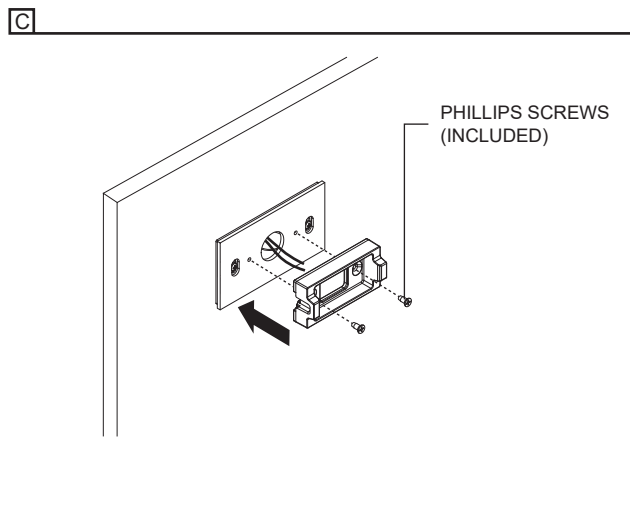
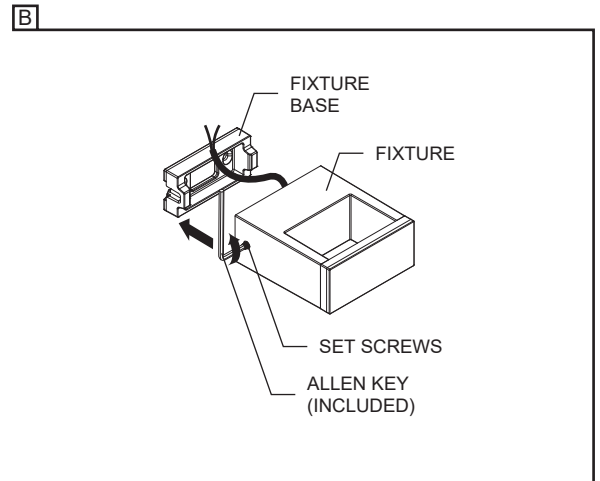
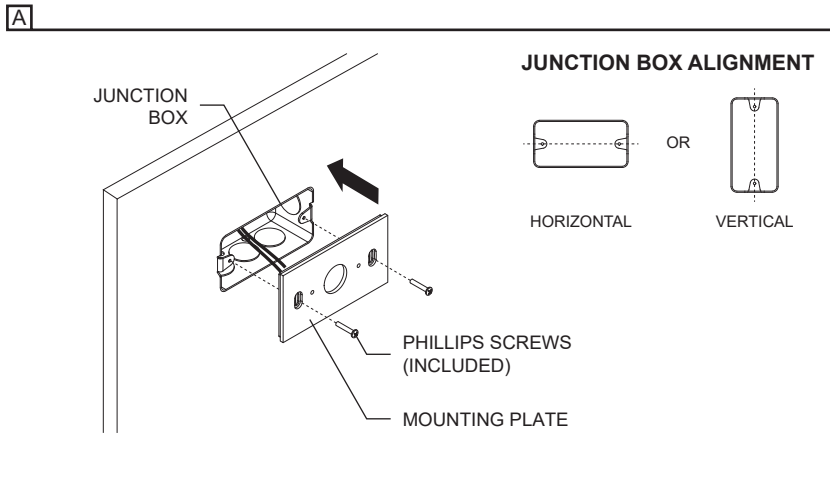
LIVE	BLACK
NEUTRAL	WHITE
⏚	GREEN

IMPORTANT - READ CAREFULLY BEFORE INSTALLING FIXTURE. RETAIN THESE INSTRUCTIONS FOR FUTURE REFERENCE.

THIS PRODUCT MUST BE INSTALLED IN ACCORDANCE WITH THE NATIONAL ELECTRICAL CODE AND ALL APPLICABLE LOCAL CODES, BY A PERSON FAMILIAR WITH THE CONSTRUCTION AND OPERATION OF THE PRODUCT, AND THE HAZARDS INVOLVED.

2" JUNCTION BOX INSTALLATION (J2) - REMOTE DRIVER (REM)

- A- INSTALL THE MOUNTING PLATE ON THE 2" JUNCTION BOX USING (2) PHILLIPS SCREWS (**INCLUDED**).
MAKE SURE THE JUNCTION BOX IS PROPERLY ALIGNED.
- B- UNFASTEN THE SET SCREWS WITH AN ALLEN KEY (**INCLUDED**) AND DISCONNECT THE QUICK CONNECTOR TO REMOVE THE FIXTURE FROM THE BASE. DO NOT COMPLETELY REMOVE THE SET SCREWS.
- C- SCREW THE FIXTURE BASE TO THE MOUNTING PLATE USING (2) PHILLIPS SCREWS(**INCLUDED**).
- D- MAKE WIRE CONNECTIONS (**FOLLOWING POLARITY MARKING**) USING TWIST CONNECTORS (**NOT INCLUDED**)
- E- FASTEN THE FIXTURE ON ITS BASE WITH THE SET SCREWS WITH AN ALLEN KEY (**INCLUDED**).



LED +	RED
LED -	BLACK