

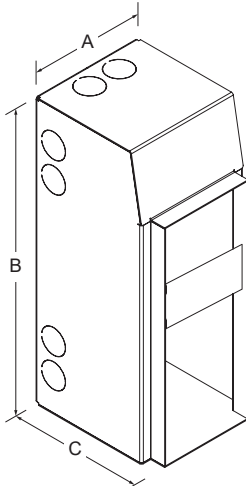
IMPORTANT - READ CAREFULLY BEFORE INSTALLING FIXTURE. RETAIN THESE INSTRUCTIONS FOR FUTURE REFERENCE.

THIS PRODUCT MUST BE INSTALLED IN ACCORDANCE WITH THE NATIONAL ELECTRICAL CODE AND ALL APPLICABLE LOCAL CODES, BY A PERSON FAMILIAR WITH THE CONSTRUCTION AND OPERATION OF THE PRODUCT, AND THE HAZARDS INVOLVED. PROPER GROUNDING IS REQUIRED FOR SAFETY.

RECESSED BOX INSTALLATION

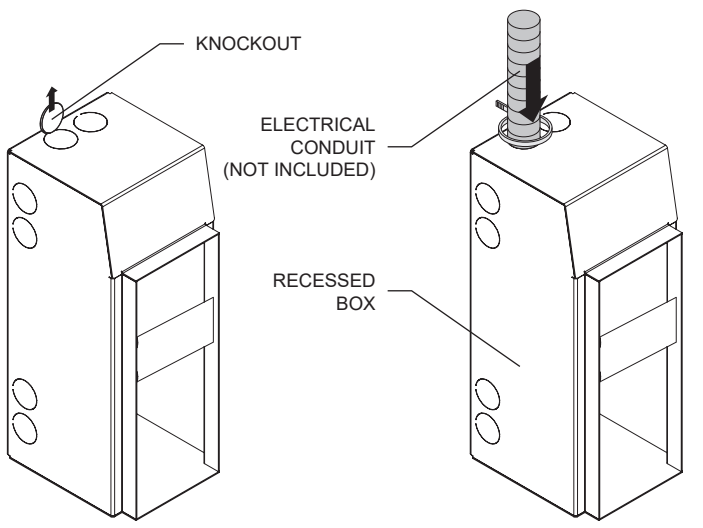
- A- PLACE THE RECESSED BOX INTO THE WALL (**SEE DIMENSIONS BELOW**).
- B- REMOVE THE APPROPRIATE KNOCKOUT AND INSTALL APPROPRIATE ELECTRICAL CONDUITS (**NOT INCLUDED**) INTO THE RECESSED BOX.
- C- POUR CONCRETE AND MAKE SURE THAT THE RECESSED BOX OPENING IS FLUSH WITH THE CONCRETE.
- D- FEED THE CABLE THROUGH THE RECESSED BOX AND REMOVE THE METAL TAB ONCE THE CONCRETE IS SET.

A



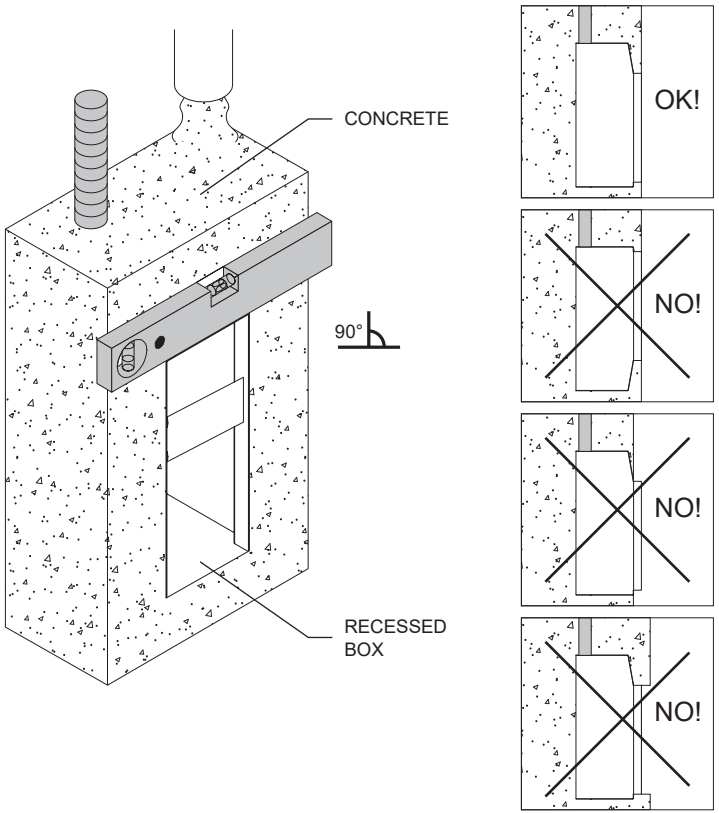
Model	Dimensions (A x B x C)
S6023	7 ³ / ₈ " x 17" x 6 ³ / ₄ " (187 x 433 x 170 mm)
S6063	2 ³ / ₄ " x 11 ³ / ₄ " x 4 ¹ / ₈ " (70 x 300 x 105 mm)
S6073	4 ³ / ₈ " x 11 ³ / ₄ " x 5 ¹ / ₈ " (110 x 300 x 130 mm)
S6083	7 ¹ / ₂ " x 11 ³ / ₄ " x 5 ¹ / ₈ " (190x 300 x 130 mm)

B



Labels: KNOCKOUT, ELECTRICAL CONDUIT (NOT INCLUDED), RECESSED BOX

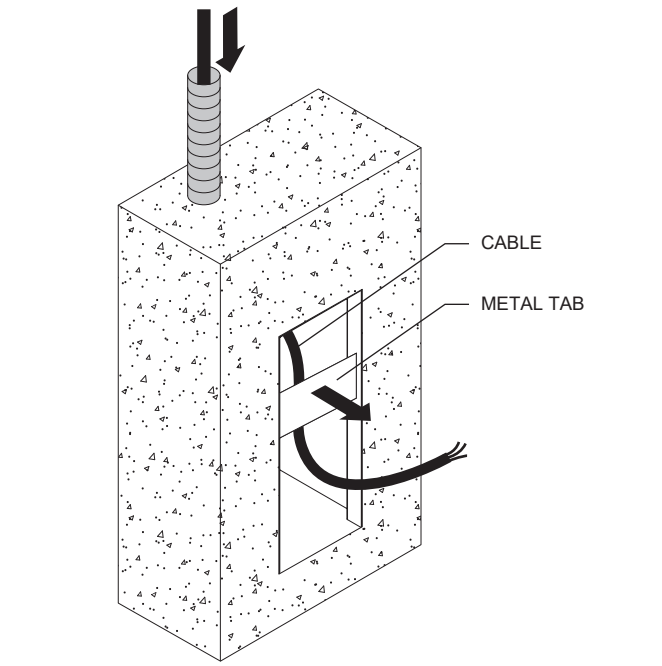
C



Labels: CONCRETE, RECESSED BOX, 90°

OK! (flush finish)
NO! (overhang)
NO! (undercut)
NO! (uneven finish)

D



Labels: CABLE, METAL TAB