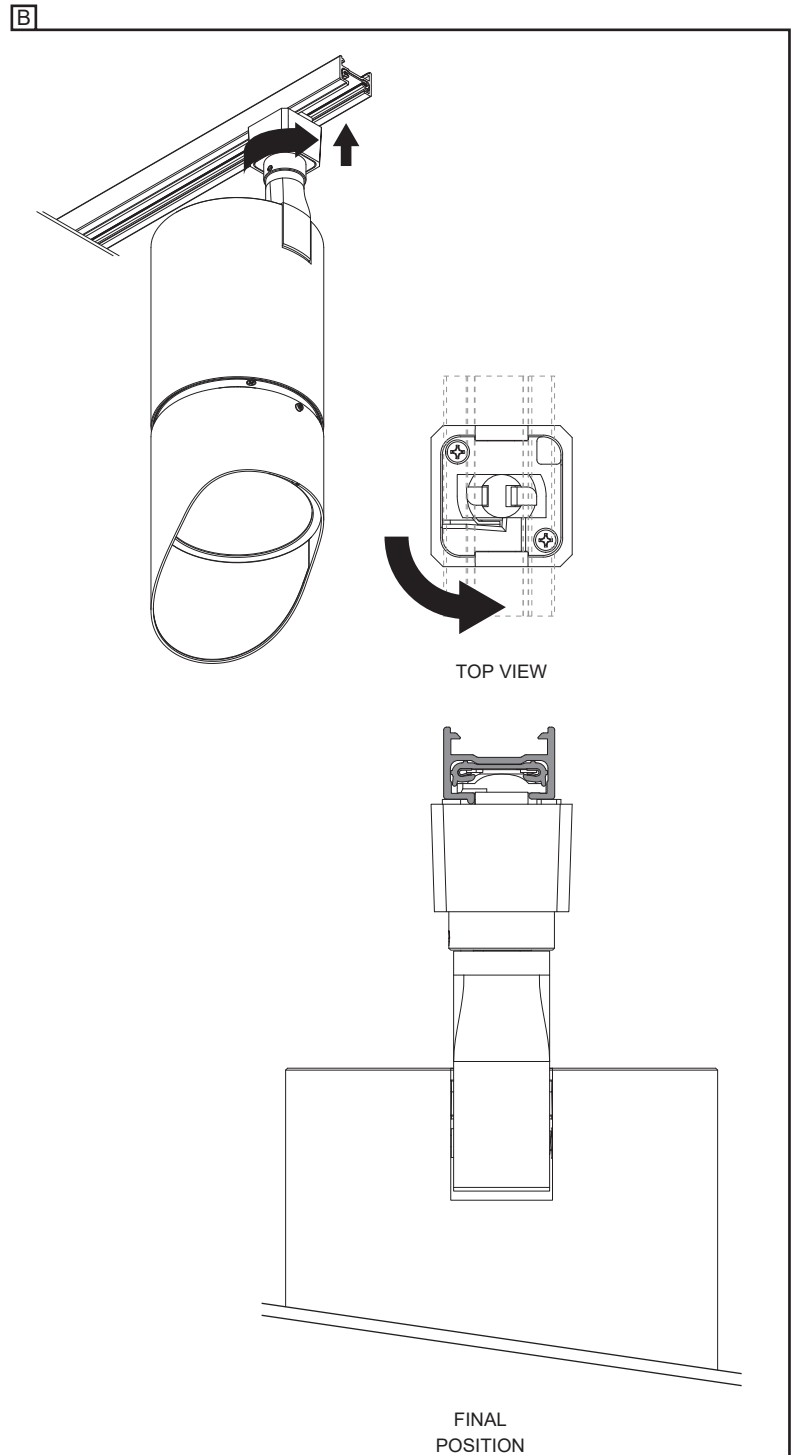
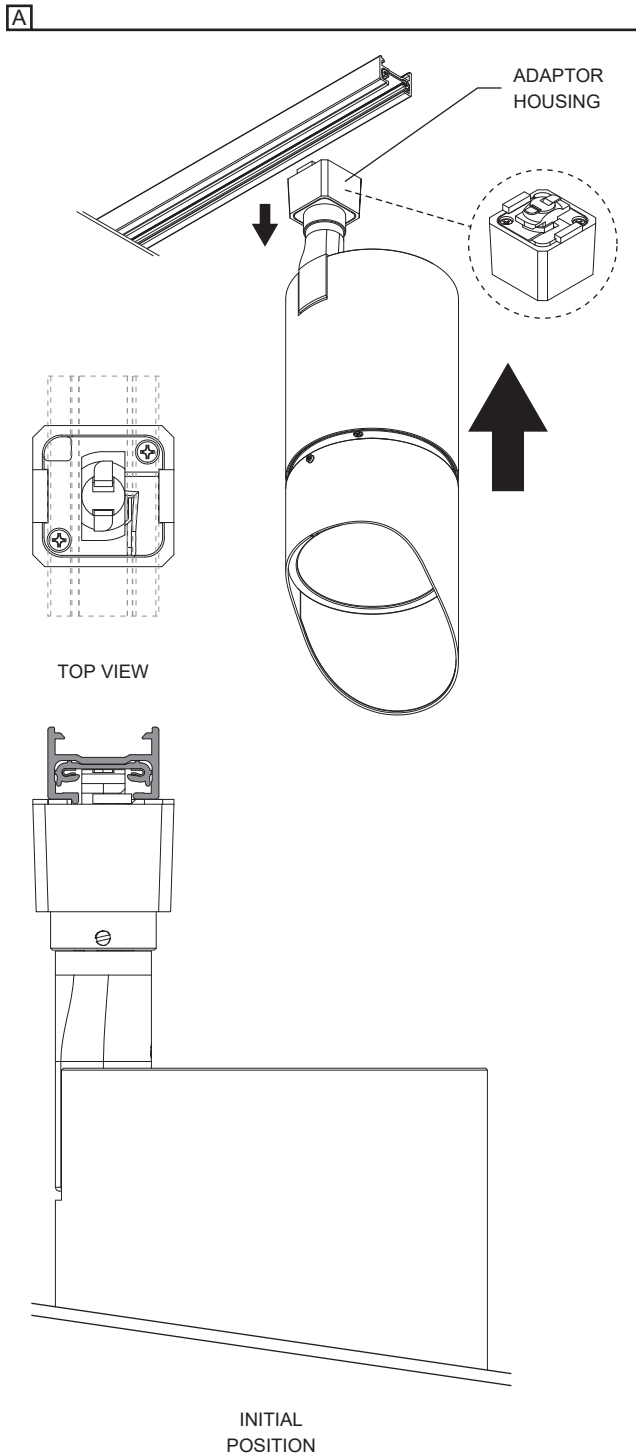


**IMPORTANT** - READ CAREFULLY BEFORE INSTALLING FIXTURE. RETAIN THESE INSTRUCTIONS FOR FUTURE REFERENCE.  
THIS PRODUCT MUST BE INSTALLED IN ACCORDANCE WITH THE NATIONAL ELECTRICAL CODE AND ALL APPLICABLE LOCAL CODES, BY A PERSON FAMILIAR WITH THE CONSTRUCTION AND OPERATION OF THE PRODUCT, AND THE HAZARDS INVOLVED. PROPER GROUNDING IS REQUIRED FOR SAFETY.

**INSTALLING PROJECTOR ON ONE CIRCUIT TRACK (120V)**

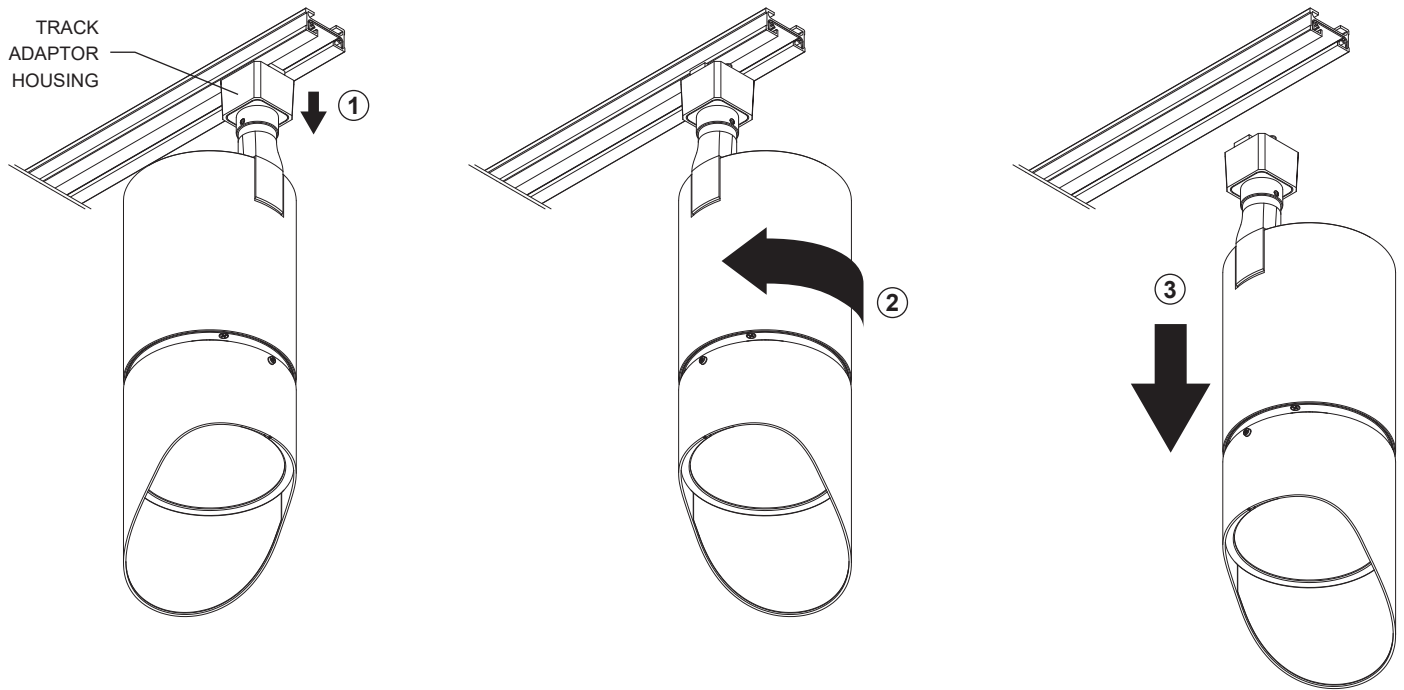
FOR USE WITH LIGHTOLIER® LYTESPAN BASIC AND ADVENT SERIES (1 CIRCUIT) TRACK SYSTEM ONLY (120V).

- A- PULL THE ADAPTOR HOUSING DOWN TO INSERT IN THE TRACK FOLLOWING INITIAL POSITION SHOWN BELOW.
- B- PUSH THE PROJECTOR INTO TRACK AND ROTATE THE TRACK ADAPTOR A QUARTER TURN IN THE PROPER DIRECTION IN ORDER TO ALLOW ELECTRICAL BOUNDING. MAKE SURE THE ADAPTOR IS LOCKED IN PLACE, FOLLOWING FINAL POSITION SHOWN BELOW.



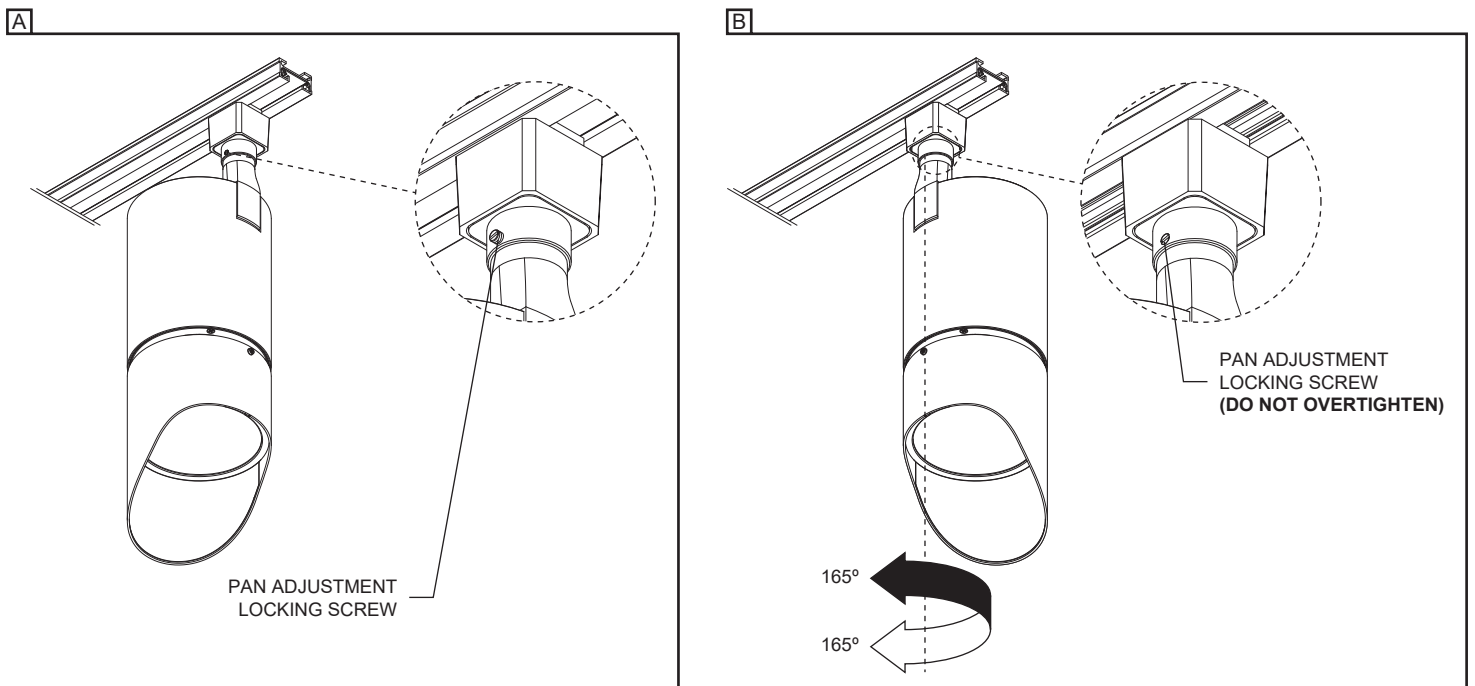
**REMOVING PROJECTOR FROM TRACK (1790J)**

PULL DOWN THE TRACK ADAPTOR HOUSING TO UNLOCK IT FROM THE TRACK SLOT (1). WHILE HOLDING THE TRACK ADAPTOR HOUSING DOWN, ROTATE A QUARTER TURN IN ANY DIRECTION (2) AND PULL DOWN THE PROJECTOR TO REMOVE IT FROM THE TRACK (3).



**PAN ANGLE POSITION (1790J)**

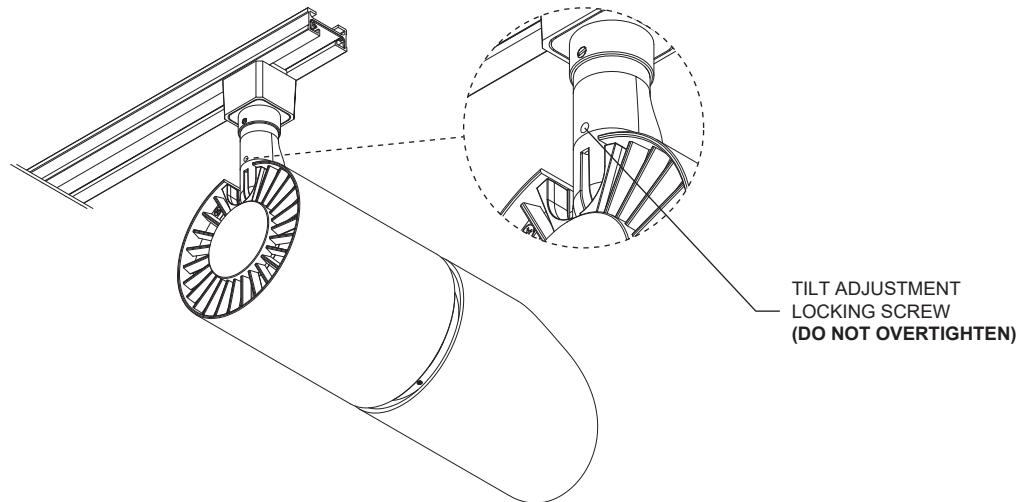
A- LOOSEN THE TILT ADJUSTMENT LOCKING SCREW USING A SLOTTED SCREWDRIVER.  
B- SET TO THE DESIRED TILT POSITION (**MAXIMUM OF 90° AXIAL ROTATION**) AND FASTEN THE SCREW (**DO NOT OVERTIGHTEN**).



**TILT ANGLE POSITION (1790J)**

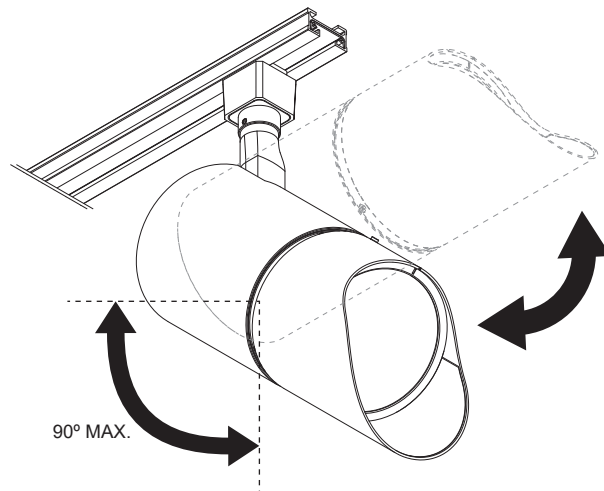
- A- LOOSEN THE PAN ADJUSTMENT LOCKING SCREW USING A SLOTTED SCREWDRIVER.
- B- SET TO THE DESIRED PAN POSITION (**MAXIMUM OF 330° AXIAL ROTATION**) AND FASTEN THE SCREW (**DO NOT OVERTIGHTEN**).

**A**



**!** NOT UNLOCKING THE LOCKING SET SCREW TO CHANGE THE TILT ANGLE WILL CAUSE INTERNAL DAMAGE TO THE PROJECTOR.

**B**



**REPLACING OPTIC**

- A- UNFASTEN THE VISOR SET SCREW USING AN ALLEN KEY (INCLUDED) AND REMOVE THE VISOR. **DO NOT REMOVE THE SET SCREW.**
- B- UNSCREW THE OPTIC HOLDER FROM THE FIXTURE.
- C- REPLACE THE LENS AND SET THE LENS INTO THE OPTIC HOLDER PINS. **\*THE LENS GLASSY SIDE MUST BE FACING OUTWARD.**
- D- SCREW THE OPTIC HOLDER BACK ON THE FIXTURE.
- E- UNFASTEN THE OPTIC HOLDER (2) SET SCREWS. **DO NOT COMPLETELY REMOVE THE SET SCREW.**
- F- ROTATE THE OPTIC HOLDER'S FRONT RING UNTIL THE NOTCH IS ALIGNED AND CENTERED WITH THE FIXTURE ARM. **DO NOT ROTATE THE OPTIC HOLDER.**
- G- FASTEN THE OPTIC HOLDER (2) SET SCREWS.
- H- SLIDE THE VISOR BACK ON THE FIXTURE HOLDER AND FASTEN THE SET SCREW.  
**\*MAKE SURE THE VISOR ALIGNMENT DETAIL IS ALIGNED WITH THE OPTIC HOLDER NOTCH BEFORE TIGHTENING.**

