

Project name: \_\_\_\_\_

Type: \_\_\_\_\_



Wall mounted projector with a minimal design. Suitable for exterior applications.

**Luminaire characteristics:**

**Power input:** 16 W

**Lumens:** 950 to 1020 lm (delivered for 3000K)

**Luminaire efficacy:** 59 lm/W to 63 lm/W (for 3000K)

**Source:** White LED, (LM-80 tested).

3000K: 90CRI.

4000K: 90CRI.

**Lumen maintenance:** 70% of initial lumens at 50 000 hours (L70), (LM-79 tested).

**Optics:** Available in narrow spot, narrow flood or elliptical optics. With rotation around 3 axis.

**Materials:**

Body: Die-cast aluminum.

Diffuser: Tempered glass.

Hardware: Silicone gasket and stainless steel screws.

Mounting plate : Aluminum.

**Electrical:** Universal high efficiency electronic power supply, rated at 50000 hours, 120-277V.

**Mounting:**

Wall or ceiling mounted with 4" junction box or single gang switch box.

Floor mounted with bracket (3' cable included).

Ground mounted with bracket and/or stake (3' cable included).

**Finish:** White or Aluminum gray.

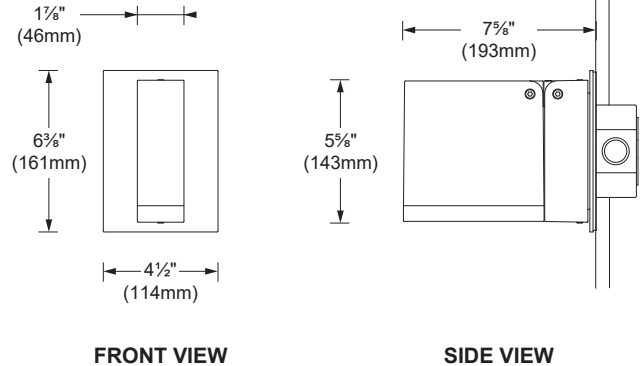
**Weight:** 4.4lb (2kg).

**Warranty:** 5 year limited warranty.

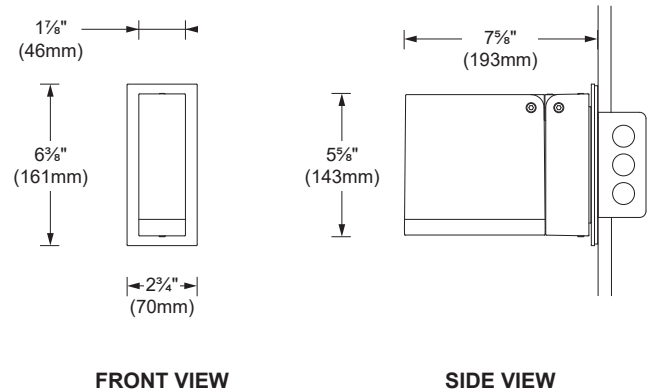
**Certification:** cULus listed for wet location.

**Ratings:** IP65, IK06

Dimensions for mounting on 4" junction box



Dimensions for mounting on single gang box



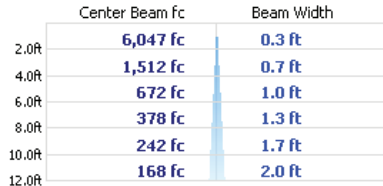
Project name: \_\_\_\_\_

Type: \_\_\_\_\_

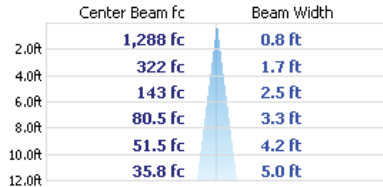
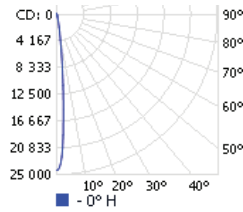
**TECHNICAL DATA**

Visit [sistimalux.com](http://sistimalux.com) for complete photometric data.

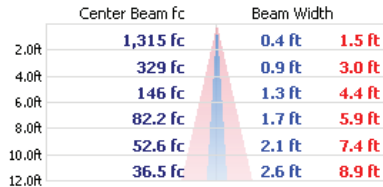
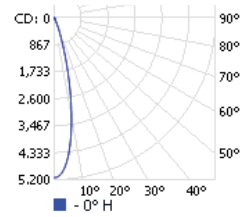
LOAD (W)	CCT (K)	CRI	OPTIC	LUMENS (lm)	EFFICACY (lm / w)	MAX CANDELA (cd)	MODEL
16W	3000K	90	Narrow spot	1020	63	24 185	S1510W
			Narrow flood	950	59	5 150	S1511W
			Elliptical	950	59	5 305	S1513W



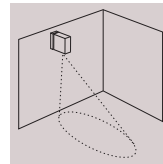
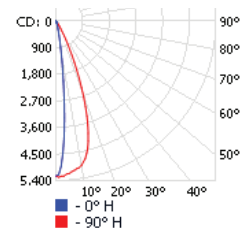
3000K - 90 CRI - 10° narrow spot



3000K - 90 CRI - 24° narrow flood



3000K - 90 CRI - 12° x 40° elliptical



Project name: \_\_\_\_\_

Type: \_\_\_\_\_

**ACCESSORIES (TO BE ORDERED SEPARATELY)**

Stake for ground installation with 3' cable.  
Must be used with S.1519 for ground installation (see below).  
\*Fixture whip (FW) mounting only

- S1014**



Bracket for vertical installation on floor with 3' cable.  
\*Fixture whip (FW) mounting only

- S1519-01** - White
- S1519-14** - Aluminum gray



**ORDERING INFO**

MODEL	MOUNTING	ELECTRICAL	FINISH
<ul style="list-style-type: none"> <li><input type="radio"/> <b>S1510N</b> - 4000K, narrow spot</li> <li><input type="radio"/> <b>S1510W</b> - 3000K, narrow spot</li> <li><input type="radio"/> <b>S1511N</b> - 4000K, narrow flood</li> <li><input type="radio"/> <b>S1511W</b> - 3000K, narrow flood</li> <li><input type="radio"/> <b>S1513N</b> - 4000K, elliptic</li> <li><input type="radio"/> <b>S1513W</b> - 3000K, elliptic</li> </ul>	<ul style="list-style-type: none"> <li><input type="radio"/> <b>J2</b> - Surface mounted with single gang box</li> <li><input type="radio"/> <b>JB</b> - Surface mounted with 4" junction box</li> <li><input type="radio"/> <b>FW</b> - Fixture whip for floor or ground installation</li> </ul>	<ul style="list-style-type: none"> <li><input checked="" type="radio"/> <b>UNV</b> - 120-277V</li> </ul>	<ul style="list-style-type: none"> <li><input type="radio"/> <b>01</b> - White</li> <li><input type="radio"/> <b>14</b> - Aluminum gray</li> </ul>