


Collection of wall mounted luminaires for exterior applications. Exceptional European build quality with high corrosion resistant finish. Robust marine grade die-cast aluminum construction with stainless steel fasteners and factory and glass diffuser.

Luminaire characteristics:	Power input: 34.5W (per lamp) Lumens: 2 530lm (per lamp for 3000K, 90CRI) Luminaire efficacy: 73lm/W
Source:	White LED module (LM-80) 2700K : 90CRI 3000K : 90CRI 4000K : 90CRI
Lumen maintenance:	70% of initial lumens at 50 000 hours (L70)(LM-79).
Optics:	Narrow Flood, adjustable $\pm 15^\circ$, up and/or down.
Material:	Body: Die-cast aluminum Reflector: 99.98% pure anodized aluminum Diffuser: Clear tempered glass Mounting plate: Machined aluminum Hardware: Stainless steel screws
Mounting:	Luminaire can be installed as up and/or downlight. Installs on a standard 4" octagonal junction box. The center of junction box is located 1-3/8" higher than the center of the luminaire.
Electrical:	Integral high efficiency electronic driver, rated at 50 000 hours, 120-277V.
Dimming:	Down to 15%, 0-10V (120-277V).
Finish:	Aluminum painted finish, following a double powder paint in 3 step process: surface treatment containing ceramic nano particles (Bonderite). Epoxy primer paint. Polyester powder paint with high resistance against UV rays and harsh weather conditions.
Weight:	15.2 / 19lbs (6.8 / 8.6kg)
Warranty:	5 year limited warranty.
Ratings:	IP65, IK08
Certification:	 cULus listed for wet location.

ORDERING INFO

- UNV - 14 - D10
FIXTURE



MODEL

- S3834** - Down **S3835** - Up/Down

LED

- H** - 2700K, 90CRI **W** - 3000K, 90CRI **N** - 4000K, 90CRI

VOLTAGE

- UNV** - 120-277V

FINISH

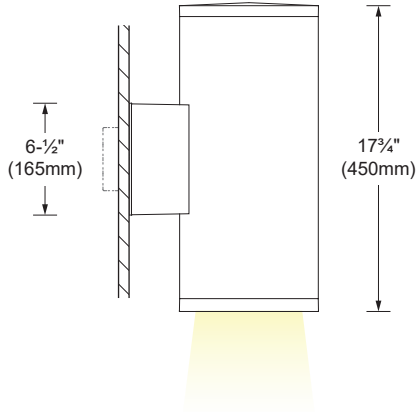
- 14** - Aluminum gray

DIMMING

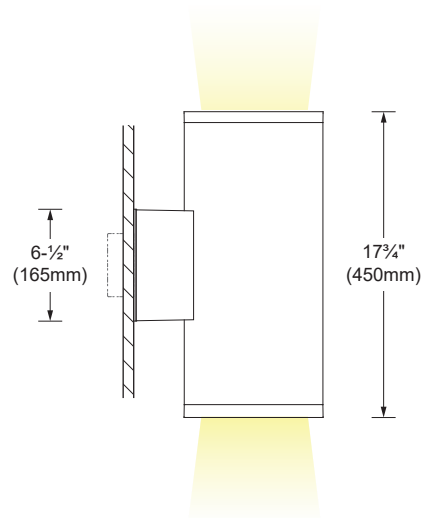
- D10** - 0-10V (down to 15%)

DIMENSIONS

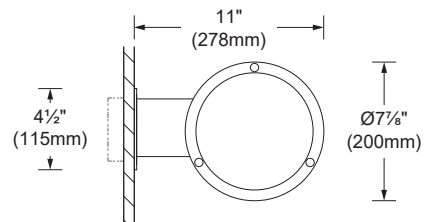
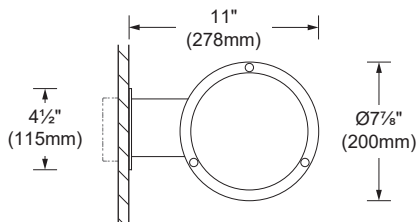
S3834



S3835



SIDE VIEW



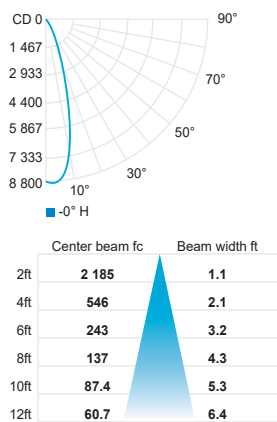
BOTTOM VIEW

PHOTOMETRIC DATA

Visit sistemalux.com for complete photometric data.

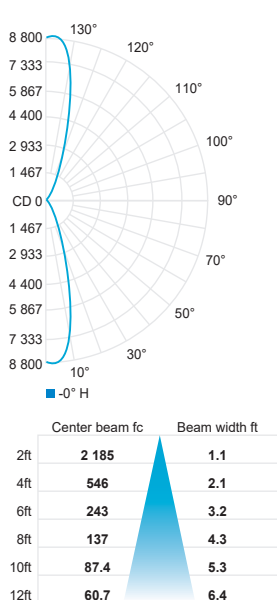
CCT (K)	CRI	LOAD (W)	OPTIC	LUMENS (lm)	EFFICACY (lm/w)	MAX CANDELA (cd)	MODELS
3000K	90	34.5W	Flood 30°	2 530	73	8 770	S3834W

Flood 30° (3000K, 90CRI)



CCT (K)	CRI	LOAD (W)	OPTIC	LUMENS (lm)	EFFICACY (lm/w)	MAX CANDELA (cd)	MODELS
3000K	90	34.5W	Flood 30°	2 530	73	8 770	S3835W

Flood 30° (3000K, 90CRI)



CCT options	2700K	3000K	4000K
CRI options	90CRI	90CRI	90CRI
Multiplier	0.94	1	1.03